

PARTS CATALOG

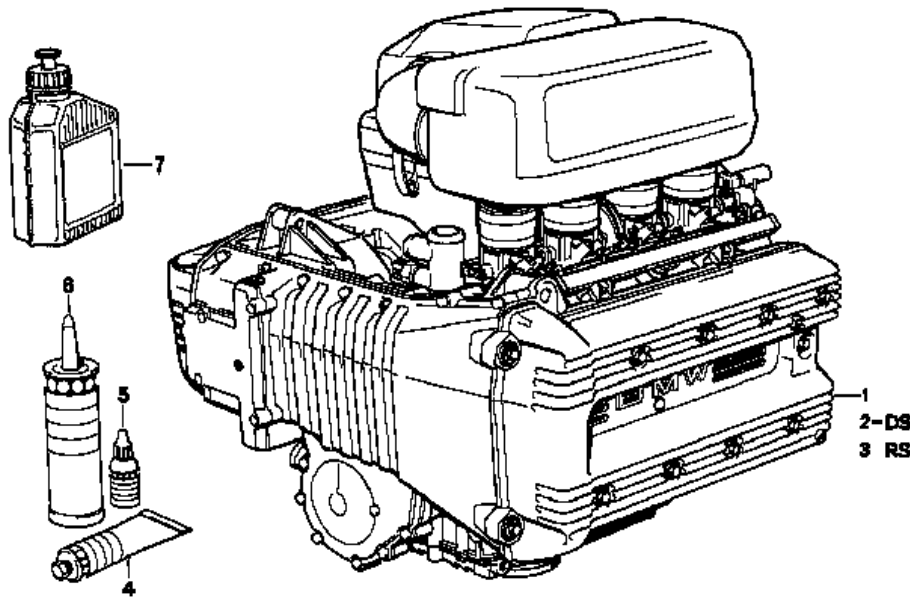
BMW K 100

1983 - 1990



Created by DENY

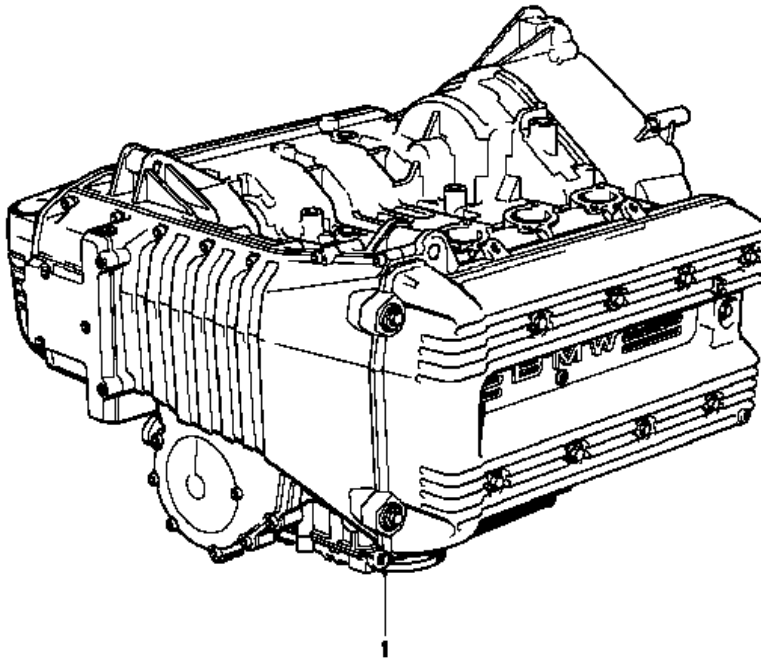
Diagrams 11_1778 ENGINE
Series: K100-K100LT..83-91



00001187

No.	Description	Supplement	Qty	From	Up To	Part Number	AT	R	TI
FOR VEHICLES WITH									
NATIONAL VERSION CALIFORNIA									
		Y749A = YES							
1	BLACK ENGINE		1			11 00 1 461 839		1	
2	GASKET SET ENGINE		1			11 00 1 460 981			
3	REPAIR KIT FOR OIL CHANGE								
3	REPAIR KIT FOR OIL CHANGE		1			11 00 2 300 053			
3	REPAIR SET INSPECTION		1			11 00 2 300 054			
3	REPAIR KIT SEAL RINGS		1			11 00 9 062 736			
4	LUBRICANT	MP3 100GR	X			07 55 9 062 476			I
5	SEALING COMPOUND THREE BOND	1110B 5GR	X			07 58 9 056 998			I
6	SEALING COMPOUND THREE BOND	1209 30ML	X			07 58 9 062 376			I
7	MOTORCYCLE OIL								
7	MOTORCYCLE OIL	5W-40, 1 L	X			81 22 9 407 686	AE		I
7	MOTOR OIL SUPER POWER	5W-40, 1 L	X			81 22 9 407 547			I

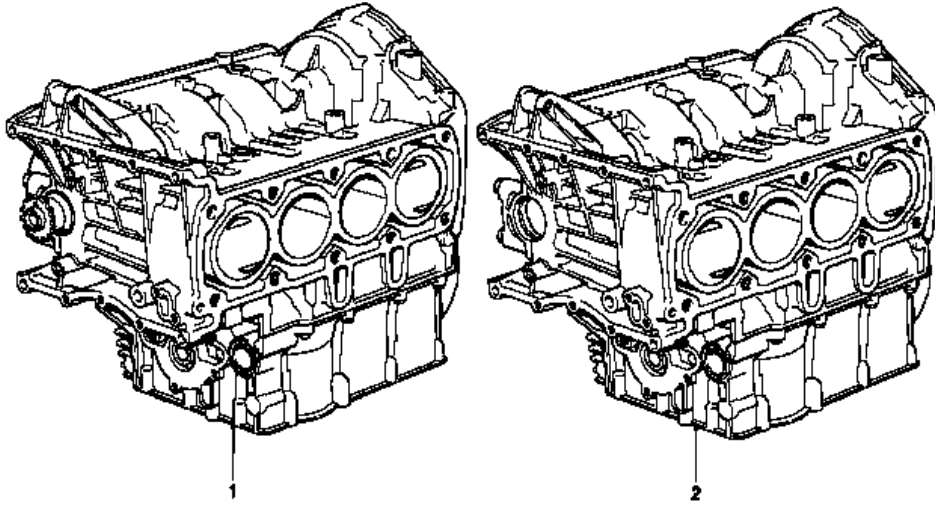
Diagrams 11_1779 SHORT ENGINE
 Series: K100-K100LT..83-91



000011BB

No.	Description	Supplement	Qty	From	Up To	Part Number	AT	R	TI
	FOR VEHICLES WITH								
	NATIONAL VERSION CALIFORNIA	Y749A = YES							
1	BLACK SHORT ENGINE		1			11 00 1 461 840		1	

Diagrams 11_1780 SHORT ENGINE/CRANK CASE WITH PISTONS
 Series: K100-K100LT..83-91

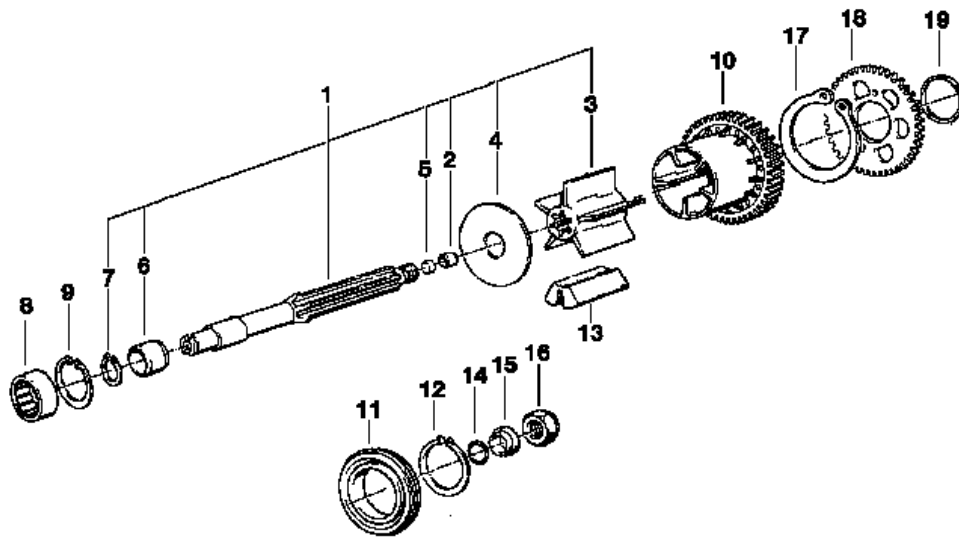


00001189

No.	Description	Supplement	Qty	From	Up To	Part Number	AT	R	TI
FOR VEHICLES WITH									
NATIONAL VERSION CALIFORNIA									
Y749A = YES									
1	SHORT ENGINE		1			11 00 1 461 515		1	
2	ENGINE BLOCK WITH PISTON		1			11 00 1 461 516		1	

Diagrams 11_1769 OUTPUT SHAFT

Series: K100-K100LT..83-91

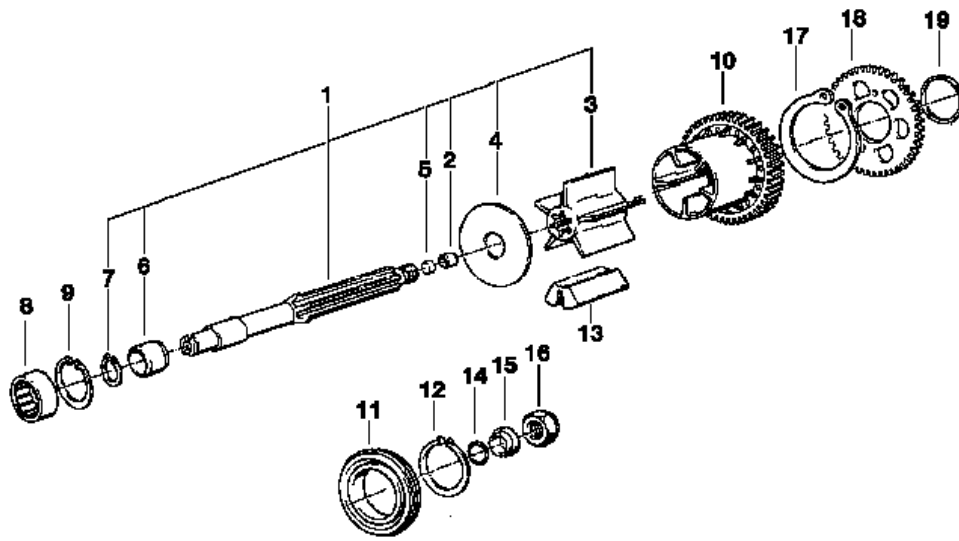


00001167

No.	Description	Supplement	Qty	From	Up To	Part Number	AT	R	TI
1	OUTPUT SHAFT		1			11 21 1 460 897	AE		
1	OUTPUT SHAFT ONLY IN CONJUNCTION WITH		1			11 21 1 461 785		1	
--	IDLER		1			11 21 1 461 498		1	
--	ABSORBER GEAR WHEEL		1			11 21 1 461 499		1	
--	ABSORBER		5			11 21 1 461 541			
--	SPRING		1			11 21 1 464 519			
2	BUSH	6X12X12	1			11 21 1 461 540			
3	ABSORBER		1			11 21 1 460 883			
4	BRACKET		1			11 21 1 460 356			
5	COVER LID	D=12MM	1			07 11 9 937 220			
6	INNER BEARING RING	22X26X2,0	1			11 21 1 460 370			
7	SNAP RING	D=22MM	1			11 21 1 460 373			
8	NEEDLE BEARING	26X34X16	1			11 21 1 460 376			
9	SNAP RING	D=34MM	1			11 21 1 460 379			
10	ABSORBER GEAR WHEEL								
10	ABSORBER GEAR WHEEL		1			11 21 1 460 903	AE		
10	ABSORBER GEAR WHEEL ONLY IN CONJUNCTION WITH		1			11 21 1 461 499		1	
--	IDLER		1			11 21 1 461 498		1	
--	ABSORBER		5			11 21 1 461 541			
--	SPRING		1			11 21 1 464 519			
11	GROOVED BALL BEARING								
11	GROOVED BALL BEARING	83,5X50X16	1			11 21 1 465 278		1	

Diagrams 11_1769 OUTPUT SHAFT

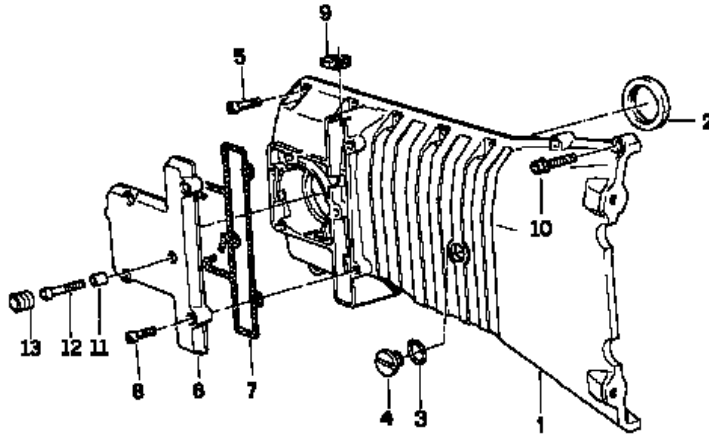
Series: K100-K100LT..83-91



00001167

No.	Description	Supplement	Qty	From	Up To	Part Number	AT	R	TI
11	GROOVED BALL BEARING FG* K100 0 008 126/K100RS 0 084 834/K100RT 0 027 983 FG* K100 USA 0 031 377/ K100RS USA 0 042 727 FG* K100RT USA 0 053 355		1	12/85		11 21 1 461 586		1	
12	LOCK RING FG* K100 0 008 126/K100RS 0 084 834/K100RT 0 027 983 FG* K100 USA 0 031 377/ K100RS USA 0 042 727 FG* K100RT USA 0 053 355		1	12/85		11 21 1 461 755			
13	ABSORBER		5			11 21 1 461 541			
13	ABSORBER		5			11 21 1 460 231			
--	ONLY APPLIES TO ABSORBER GEAR WHEEL		X			11 21 1 460 903	E		
14	O-RING	19X4	1			11 21 1 460 456			
15	COMPRESSION RING		1			11 21 1 460 696			
16	HEX NUT	M20X1,5	1			11 21 1 460 797			
17	SPRING		1		08/89	11 21 1 461 532			
18	IDLER		1		08/89	11 21 1 461 753		1	T
19	SPACER RING		1		08/89	11 21 1 461 742			
19	SPACER RING	1,60MM	1		08/89	11 21 1 461 742			
19	SPACER RING	1,75MM	1		08/89	11 21 1 461 743			
19	SPACER RING	1,90MM	1		08/89	11 21 1 461 744			
19	SPACER RING	2,05MM	1		08/89	11 21 1 461 745			

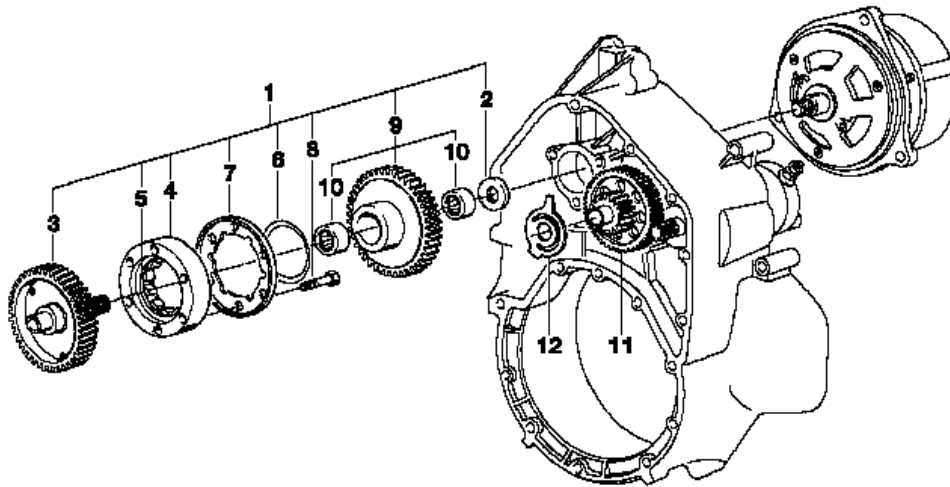
Diagrams 11_1767 TIMING CASE COVER
Series: K100-K100LT..83-91



00001155

No.	Description	Supplement	Qty	From	Up To	Part Number	AT	R	TI
1	TIMING CASE COVER		1			11 14 1 460 273		1	
2	SHAFT SEAL								
2	SHAFT SEAL	36X52X7	1		09/99	11 14 1 460 350	AE		
2	SHAFT SEAL	36X52X7	1			11 14 7 654 530	E		
5	FILLISTER-HEAD SCREW	M6X25	X			11 14 1 460 678			
6	COVER		1			11 14 1 460 275		1	
7	GASKET		1			11 14 1 460 353	E		
8	SCREW	M6X20	5			11 13 1 460 677			
9	GROMMET		1			61 13 1 459 072			
10	FILLISTER HEAD WITH WASHER	M6X35	2			07 11 9 900 023			

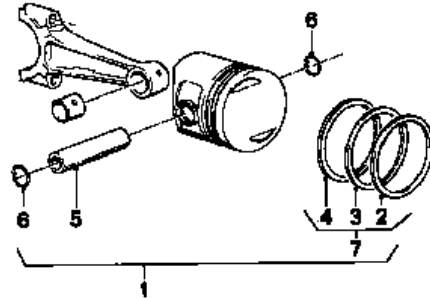
Diagrams 11_1782 STARTER OVERR.CLUTCH DRIVE/COUNTERSHAFT
 Series: K100-K100LT..83-91



00001171

No.	Description	Supplement	Qty	From	Up To	Part Number	AT	R	TI	
	FG* K100 0 002 820 / K100 RS 0 010 051									
1	FREE WHEEL		1			11 26 1 461 942		1		
2	SPACER RING		1			11 26 1 460 730				
3	AUXILIARY SHAFT		1			11 26 1 461 348		1		
4	RING		1			11 26 1 460 967		1		
5	FREE WHEEL CAGE		1			11 26 1 461 570		1		
6	DIAPHRAGM SPRING		1			11 26 1 460 968				
7	COVERING PLATE		1			11 26 1 460 969				
8	HEX BOLT	M6X25	6			07 11 9 913 589				
9	GEAR WHEEL		1			11 26 1 460 665		1		
10	NEEDLE SLEEVE	20X26X12	2			11 26 1 460 419	E			
11	COUNTERSHAFT		1			11 26 1 461 831		1		
12	SPRING		1			11 26 1 460 956				

Diagrams 11_1772 PISTON
Series: K100-K100LT..83-91

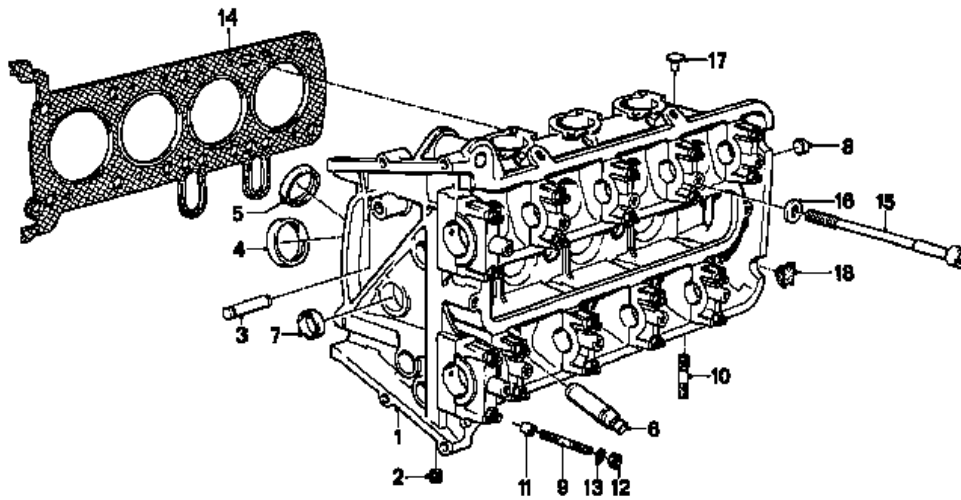


00001180

No.	Description	Supplement	Qty	From	Up To	Part Number	AT	R	TI
1	KS PISTON								
1	KS PISTON	66,97	4		02/88	11 25 1 460 817	E		
1	KS PISTON IN CASE OF EXCHANGE REPLACE ALL 4 PARTS	66,97 BR2	4		02/88	11 25 1 461 929		1	
1	KS PISTON *FG K100 0 033 500 / K100RS 0147 858 / K100RT 0 097 101 / K100LT 0 174 368 / K100 USA 0 033 000 *FG K100RS USA 0 044 398 / K100LT USA 0 180 968	66,98	4		02/88	11 25 1 460 836	E		
2	RECTANGRING	1,2 KS	4		07/89	11 25 1 460 838	E		
3	RECTANGRING	1,5 KS	4		02/88	11 25 1 460 839	E		
5	GUDGEON PIN	KS	4			11 25 1 460 815			
6	RING								
6	RING	C18	8			07 11 9 934 451			
6	SNAP RING		8			11 25 1 460 596			
7	REPAIR KIT PISTON RINGS *FG K100 0 033 500 / K100RS 0147 858 / K100RT 0 097 101 / K100LT 0 174 368 / K100 USA 0 033 000 *FG K100RS USA 0 044 398 / K100LT USA 0 180 968	KS	X		02/88	11 25 1 460 994			

Diagrams 11_1764 CYLINDER HEAD

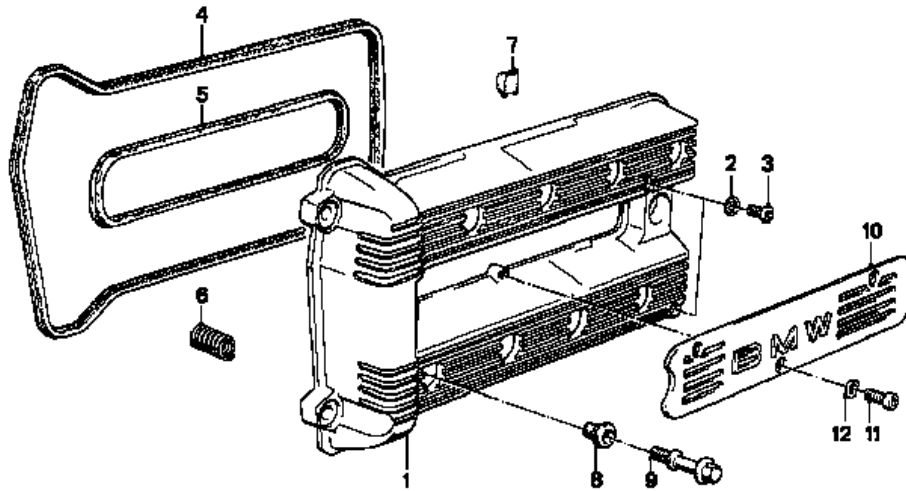
Series: K100-K100LT..83-91



00001152

No.	Description	Supplement	Qty	From	Up To	Part Number	AT	R	TI
1	CYLINDER HEAD		1			11 12 1 460 586		1	
2	SCREW PLUG	M8X1	1			07 11 9 919 006	E		
3	BEARING BOLT		1			11 12 1 464 134			
4	VALVE SEAT RING INTAKE		4			11 12 1 460 285			
4	VALVE SEAT RING INTAKE	+0,2	4			11 12 1 460 299			
5	VALVE SEAT INSERT EXHAUST LEAD-FREE		4			11 12 1 460 803			
5	VALVE SEAT INSERT EXHAUST LEAD-FREE	+0,2	4			11 12 1 460 804			
6	VALVE GUIDE		8			11 12 1 460 118			
6	VALVE GUIDE	+0,2	8			11 12 1 460 431			
--	ONLY IN CONJUNCTION WITH SPRING POCKET	+0,2	8			11 34 1 460 132			
7	COVER LID	D=22MM	5			11 12 1 461 424	E		
8	COVER LID	D=14MM	2			11 12 1 464 408			
9	STUD BOLT	M6X50	X			07 12 9 908 106			
10	STUD BOLT	M8X40-ZN	8			07 12 9 908 133			
11	DOWEL		4			11 12 1 460 580			
12	HEX NUT		X		08/96	23 11 2 322 368	AE		
12	HEX NUT	M6	X			07 11 9 922 832			
12	HEX NUT	M6-8-ZNS	X			07 11 9 932 099			
13	WAVE WASHER	B6	X			11 12 1 464 461		1	
14	CYLINDER HEAD GASKET ASBESTOS-FREE	1,82MM	1			11 12 1 464 069			
15	SCREW	M10X135	X			11 12 1 464 069			
16	FLAT WASHER		X			11 12 1 336 872			
16	FLAT WASHER	3,5MM ZNS	X			11 12 1 464 026			
16	FLAT WASHER		X			11 11 1 460 828			
17	BLIND PLUG		2			11 12 1 460 368			
18	PLUG		2						

Diagrams 11_1777 CYLINDER HEAD COVER
 Series: K100-K100LT..83-91

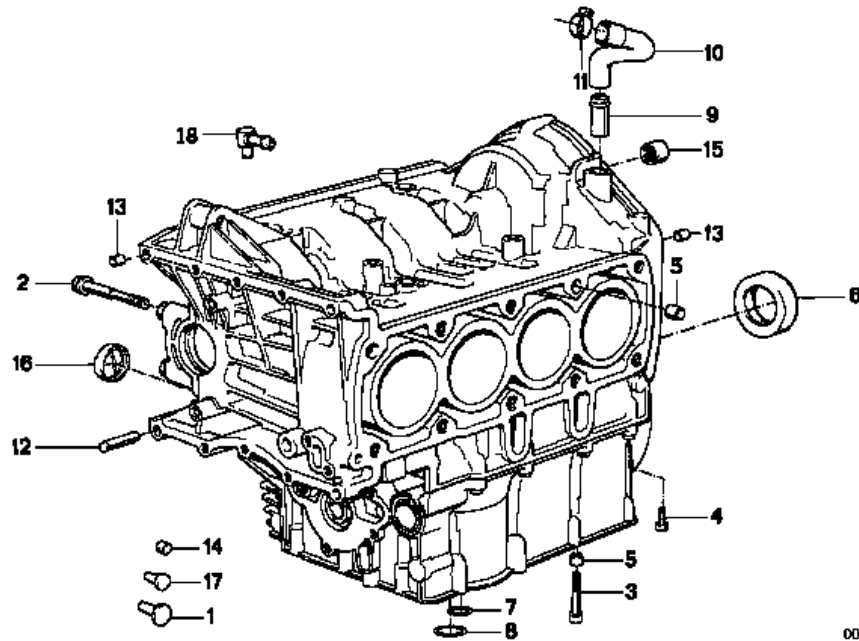


00001188

No.	Description	Supplement	Qty	From	Up To	Part Number	AT	R	TI
1	CYLINDER HEAD COVER		1			11 12 1 460 268		1	
2	GASKET RING	A10X13,5-AL	2			07 11 9 963 073			
3	SCREW PLUG	M10X1	2			07 11 9 919 112			
4	GASKET		1			11 12 1 460 463			
5	GASKET		1			11 12 1 460 464			
6	CONTACT PLATE		2			11 12 1 460 811			
7	PLUG		2			11 12 1 460 368			
8	BUSH		X			11 14 1 460 934			
9	SCREW		X			11 14 1 460 331			
10	COVER		1			11 12 1 460 794			
11	FILLISTER-HEAD SCREW	M6X12 ZN/SW	2			07 11 9 919 800			
12	WAVE WASHER	A6	2			07 11 9 932 096			

Diagrams 11_1763 ENGINE BLOCK MOUNTING PARTS

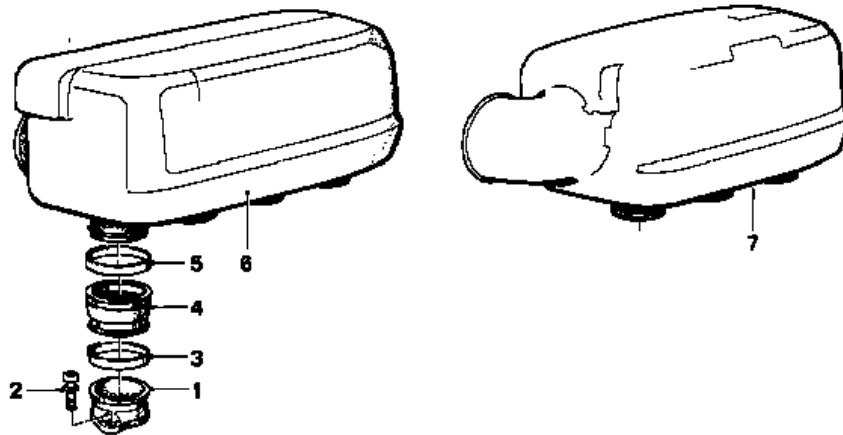
Series: K100-K100LT..83-91



00001151

No.	Description	Supplement	Qty	From	Up To	Part Number	AT	R	TI
1	PLUG		1			11 11 1 460 399			
2	SCREW	M10X85	X			11 11 1 460 007			
3	FILLISTER-HEAD SCREW	M8X50	2			07 11 9 918 655			
4	FILLISTER-HEAD SCREW	M6X25	X			11 14 1 460 678			
5	DOWEL	D=12,5MM	4			11 11 1 280 594			
6	SHAFT SEAL	50X80X10	1			11 11 7 666 186		1	
7	O-RING	15X2,5	1			11 11 1 460 470	E		
8	O-RING	27,3X2,4	1			11 11 1 460 471	E		
9	VENT PIPE		1			11 11 1 460 283			
10	VENT HOSE		1			11 15 1 460 480			
11	HOSE CLAMP	D=19	2			11 15 1 460 935			
12	BEARING BOLT		2			11 11 1 460 854			
13	DOWEL		4			11 12 1 250 717			
14	BLIND PLUG		2		01/99	11 11 1 460 284			
15	NEEDLE SLEEVE	16X22X16	1			11 11 1 460 360			
16	OIL LEVEL INDICATOR		1			11 11 1 460 774	E	1	
17	BLIND PLUG		1			11 11 1 460 828			

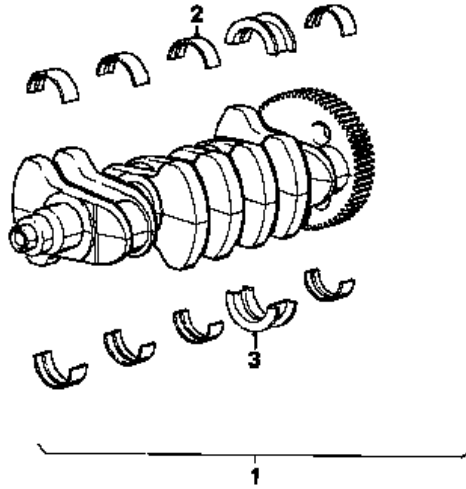
Diagrams 11_1776 AIR COLLECTOR/INLET MANIFOLD
 Series: K100-K100LT..83-91



00001185

No.	Description	Supplement	Qty	From	Up To	Part Number	AT	R	TI
1	INTAKE MANIFOLD		4			11 61 1 460 408			
2	SCREW	M6X20	8			11 13 1 460 677			
3	CLAMP	D=48,5	4			11 61 1 460 900			
4	BUSHING		4			11 61 1 460 755			
5	CLAMP	D=50	4			11 61 1 460 901			
6	AIR ACCUMULATOR		1			11 61 1 460 479		1	

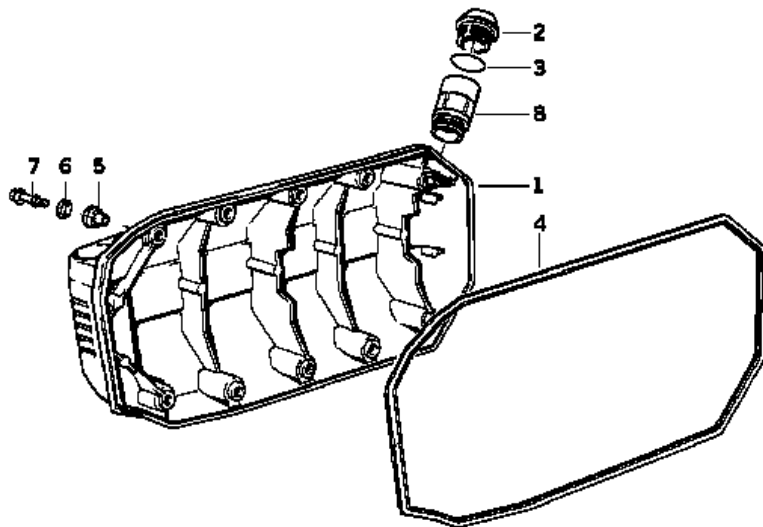
Diagrams 11_1770 CRANKSHAFT
Series: K100-K100LT..83-91



00001158

No.	Description	Supplement	Qty	From	Up To	Part Number	AT	R	TI
1	CRANKSHAFT W. BEARING SHELLS		1		01/89	11 21 1 460 972		1	
2	BEARING SHELL YELLOW								
2	BEARING SHELL YELLOW	STUFE 0	9			11 21 1 460 008			
2	BEARING SHELL GREEN	STUFE 0	9			11 21 1 460 030			
2	BEARING SHELL YELLOW	STUFE 1	9			11 21 1 460 713			
2	BEARING SHELL GREEN	STUFE 1	9			11 21 1 460 731			
2	BEARING SHELL WHITE	STUFE 0	9			11 21 1 460 909			
2	BEARING SHELL WHITE	STUFE 1	9			11 21 1 460 910			
3	BEARING SHELL YELLOW								
3	BEARING SHELL YELLOW	STUFE 0	1			11 21 1 460 290			
3	BEARING SHELL GREEN	STUFE 0	1			11 21 1 460 291			
3	BEARING SHELL YELLOW	STUFE 1	1			11 21 1 460 712			
3	BEARING SHELL GREEN	STUFE 1	1			11 21 1 460 735			
3	BEARING SHELL WHITE	STUFE 0	1			11 21 1 460 911			
3	BEARING SHELL WHITE	STUFE 1	1			11 21 1 460 912			

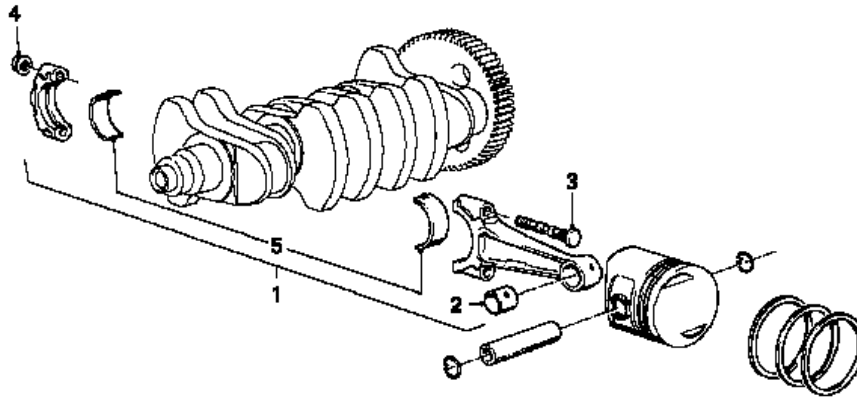
Diagrams 11_1766 CRANK CASE COVER
 Series: K100-K100LT..83-91



00001154

No.	Description	Supplement	Qty	From	Up To	Part Number	AT	R	TI
1	CRANK CASE COVER K100RS (650) WEISS/BLAU		1			11 14 1 460 265		1	
2	SCREW PLUG		1			11 14 1 460 191			
3	O-RING	25X2,7	1			11 14 1 460 675	E		
4	GASKET		1			11 14 1 460 466			
5	BUSH		X			11 14 1 460 934			
7	SCREW		X			11 14 1 460 331			

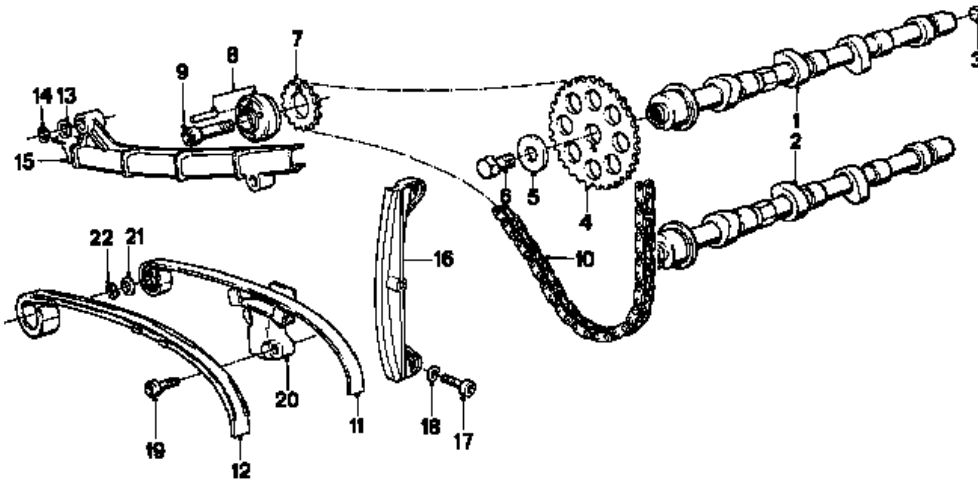
Diagrams 11_1771 CONNECTING ROD
Series: K100-K100LT..83-91



00001159

No.	Description	Supplement	Qty	From	Up To	Part Number	AT	R	TI
1	CONNECTING ROD								
1	CONNECTING ROD	3XBLAU	4		08/88	11 24 1 461 611		1	
1	CONNECTING ROD	1XGELB	4		08/88	11 24 1 461 612		1	
1	CONNECTING ROD	1XWEISS	4		08/88	11 24 1 461 613		1	
1	CONNECTING ROD	1XBLAU	4		08/88	11 24 1 461 614		1	
1	CONNECTING ROD	2XGELB	4		08/88	11 24 1 461 615		1	
2	CONNECTING ROD BUSH		4			11 24 1 460 341			
3	CONNECTING ROD BOLT		8		01/92	11 24 1 460 344			
4	NUT		8			11 24 1 460 345			
5	BEARING SHELL YELLOW								
5	BEARING SHELL YELLOW	STUFE 0	8			11 24 1 460 067			
5	BEARING SHELL YELLOW	STUFE 1	8			11 24 1 460 714			
5	BEARING SHELL GREEN	STUFE 0	8			11 24 1 460 787			
5	BEARING SHELL GREEN	STUFE 1	8			11 24 1 460 788			
5	BEARING SHELL WHITE	STUFE 0	8			11 24 1 460 913			
5	BEARING SHELL WHITE	STUFE 1	8			11 24 1 460 914			

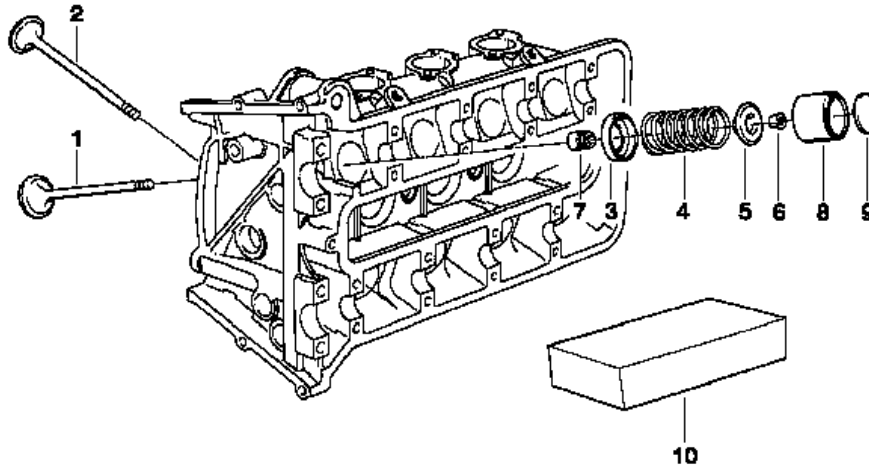
Diagrams 11_1774 TIMING GEAR - CAM SHAFT/CHAIN DRIVE
Series: K100-K100LT..83-91



00001152

No.	Description	Supplement	Qty	From	Up To	Part Number	AT	R	TI
1	INLET CAMSHAFT								
1	INLET CAMSHAFT	284 GRAD	1			11 31 1 460 045		1	
1	INLET CAMSHAFT	256 GRAD	1			11 31 1 461 525		1	
2	CAMSHAFT EXHAUST								
2	CAMSHAFT EXHAUST	284 GRAD	1			11 31 1 460 044		1	
2	CAMSHAFT EXHAUST	256 GRAD	1			11 31 1 461 526		1	
3	COVER LID	D=12MM	2			07 11 9 937 220			
4	SPROCKET		2			11 31 1 461 944			
5	FLAT WASHER		2			11 31 1 460 089			
6	HEX BOLT	M10X1X22	2			07 11 9 911 621			
7	SPROCKET		1			11 31 1 460 136		1	
8	ROTOR FLANGE		1			11 31 1 460 039		1	
9	FILLISTER-HEAD SCREW	M10X1X50	1			11 31 1 460 075			
10	TIMING CHAIN		1			11 31 1 461 859		1	
11	CHAIN TENSIONER		1			11 31 1 464 127			
12	TENSION STRAP		1			11 31 1 460 814			
13	SPACER RING		2			11 31 1 460 923			
14	CIRCLIP	6,0	2			07 11 9 932 841			
15	SLIDE RAIL		1			11 31 1 460 758			
16	GUIDE RAIL								
16	GUIDE RAIL		1			11 31 1 460 668			
--	ONLY IN CONJUNCTION WITH FILLISTER-HEAD SCREW	M6X20	2			11 31 1 460 699			
17	FILLISTER-HEAD SCREW	M6X12	2			07 11 9 919 913			
17	FILLISTER-HEAD SCREW	M6X20	2			11 31 1 460 699			
18	WAVE WASHER	B6	2			07 11 9 932 099			
19	FILLISTER-HEAD SCREW	M6X30	2			07 11 9 919 928			
20	CHAIN TENSIONER		1			11 31 1 464 051		1	
21	SPACER RING		1			11 31 1 460 899			
22	SECURING PLATE		1			51 23 1 864 963			

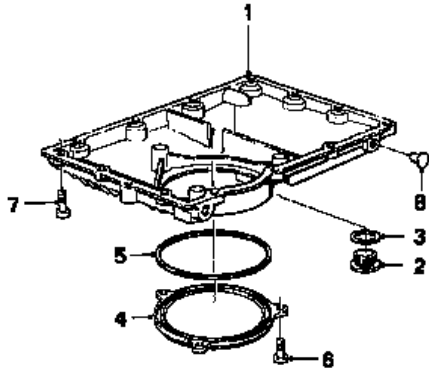
Diagrams 11_1775 TIMING GEAR - INTAKE VALVE/EXHAUST VALVE
Series: K100-K100LT..83-91



00001169

No.	Description	Supplement	Qty	From	Up To	Part Number	AT	R	TI
1	INTAKE VALVE	D=34MM	4			11 34 1 460 294		1	
2	EXHAUST VALVE	D=30MM	4			11 34 1 460 201		1	
3	SPRING POCKET								
3	SPRING POCKET	+0,2	8			11 34 1 460 132			
3	SPRING POCKET		8			11 34 1 461 395			
4	VALVE SPRING		8			11 34 1 460 656			
5	SPRING POCKET		8			11 34 1 460 114			
6	VALVE COLLET		X			11 34 1 307 136			
7	VALVE SEAL RING		8			11 34 1 464 047			
8	CAM FOLLOWER		8			11 32 1 460 144			
9	SPACER								
9	SPACER	2,00MM	8			11 32 1 460 147			
9	SPACER	2,05MM	8			11 32 1 460 148			
9	SPACER	2,10MM	8			11 32 1 460 149			
9	SPACER	2,15MM	8			11 32 1 460 150			
9	SPACER	2,20MM	8			11 32 1 460 151			
9	SPACER	2,25MM	8			11 32 1 460 152			
9	SPACER	2,30MM	8			11 32 1 460 153			
9	SPACER	2,35MM	8			11 32 1 460 154			
9	SPACER	2,40MM	8			11 32 1 460 155			
9	SPACER	2,45MM	8			11 32 1 460 156			
9	SPACER	2,50MM	8			11 32 1 460 157			
9	SPACER	2,55MM	8			11 32 1 460 158			
9	SPACER	2,60MM	8			11 32 1 460 159			
9	SPACER	2,65MM	8			11 32 1 460 160			
9	SPACER	2,70MM	8			11 32 1 460 161			
9	SPACER	2,75MM	8			11 32 1 460 162			
9	SPACER	2,80MM	8			11 32 1 460 163			
9	SPACER	2,85MM	8			11 32 1 460 164			
9	SPACER	2,90MM	8			11 32 1 460 165			
9	SPACER	2,95MM	8			11 32 1 460 166			
9	SPACER	3,00MM	8			11 32 1 460 167			
10	CONTAINER	BEHÄLTER	1			11 32 9 056 991			

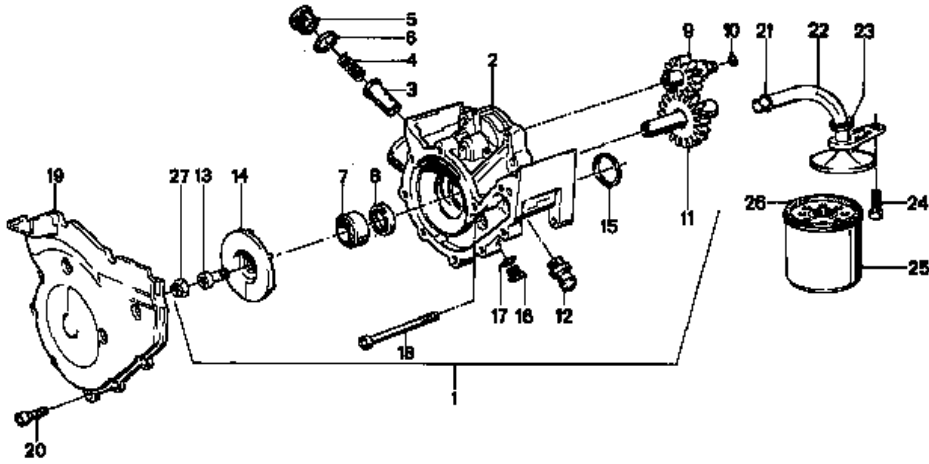
Diagrams 11_1765 OIL PAN
Series: K100-K100LT..83-91



00001158

No.	Description	Supplement	Qty	From	Up To	Part Number	AT	R	TI
1	OIL PAN								
1	OIL PAN		1			11 13 1 460 228	AE	1	
1	OIL PAN		1			11 13 7 680 134		1	
2	SCREW PLUG	M18X1,5-ZNS	1			07 11 9 919 143			
3	GASKET RING	A18X22	1			07 11 9 963 300			
4	COVER		1			11 13 1 460 229		1	
6	SCREW	M6X20	3			11 13 1 460 677			
7	FILLISTER-HEAD SCREW	M6X25	X			11 14 1 460 678			
8	BLIND PLUG		4			11 13 1 460 925			

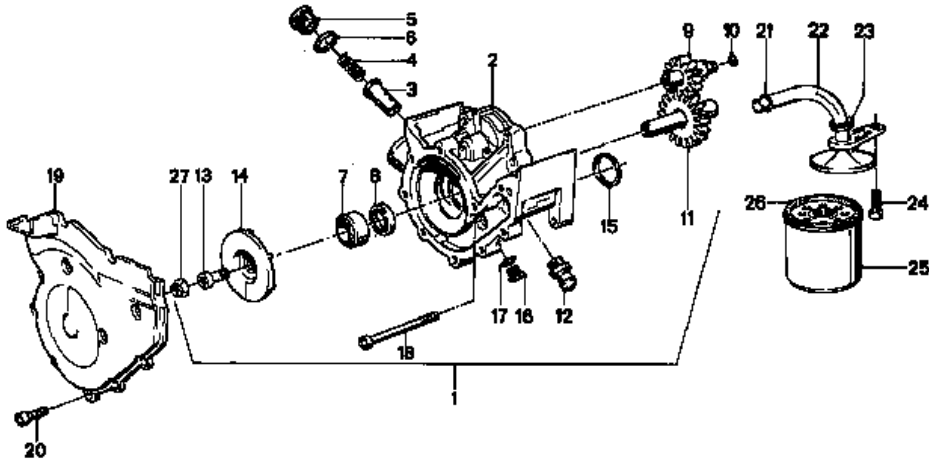
Diagrams 11_1974 WATERPUMP/OILPUMP - OIL FILTER
 Series: K100-K100LT..83-91



00001184

No.	Description	Supplement	Qty	From	Up To	Part Number	AT	R	TI
1	PUMP UNIT		1			11 41 1 461 177	E	1	
2	WATERPUMP HOUSING		1		01/90	11 41 1 460 322	AE	1	
2	WATERPUMP HOUSING		1		01/90	11 51 1 464 900		1	
3	PISTON		1			11 41 1 460 258			
4	COMPRESSION SPRING		1			11 41 1 460 259			
5	SCREW PLUG		1			11 41 1 460 483			
6	GASKET RING	A20X24-CU	1			07 11 9 963 342			
7	SLIP-RING SEAL		1			11 51 1 274 532	E		
7	SLIP-RING SEAL		1			11 51 1 704 084		1	
--	ONLY IN CONJUNCTION WITH								
--	SPACER BUSHING		1			11 51 1 464 902			
--	ROTOR		1			11 41 1 461 173			
8	SHAFT SEAL	12X25X5	1			11 41 1 460 349	E		
9	DRIVE SHAFT		1		01/90	11 41 1 460 282		1	
10	O-RING	7-2	1			11 41 1 460 824	E		
11	SHAFT		1			11 41 1 460 015	E		
11	SHAFT	Z=19	1		01/90	11 41 1 461 793		1	
--	ONLY IN CONJUNCTION WITH								
--	SCREW	M8X22	1		01/90	12 31 1 460 853			
12	OIL PRESSURE SWITCH		1			12 61 1 277 642		1	

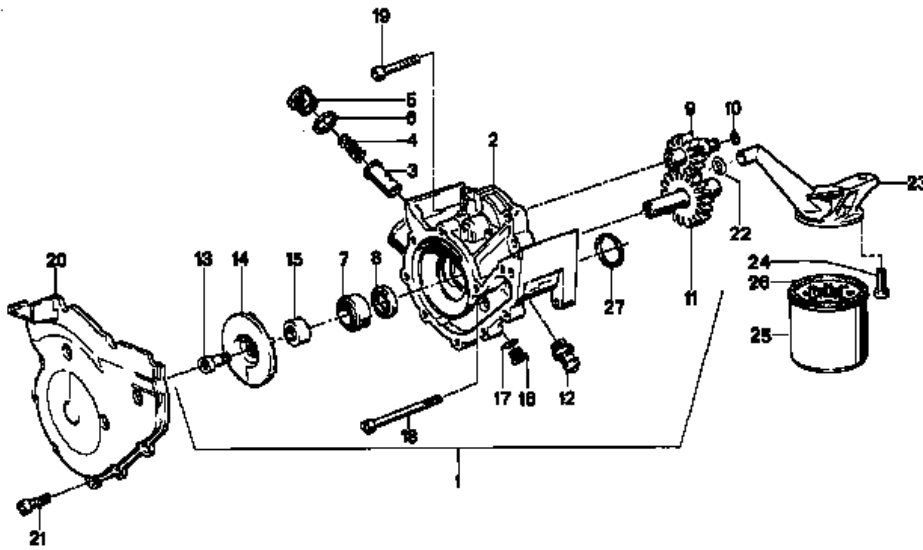
Diagrams 11_1974 WATERPUMP/OILPUMP - OIL FILTER
 Series: K100-K100LT..83-91



00001184

No.	Description	Supplement	Qty	From	Up To	Part Number	AT	R	TI
11	SHAFT								
11	SHAFT	Z=19	1		01/90	11 41 1 461 793		1	
--	ONLY IN CONJUNCTION WITH SCREW	M8X22	1		01/90	12 31 1 460 853			
11	SHAFT		1			11 41 1 460 015	E		
12	OIL PRESSURE SWITCH		1			12 61 1 277 642		1	
13	SCREW	M8X22	1			12 31 1 460 853			
14	ROTOR		1			11 51 1 460 024			
15	O-RING	27,3X2,4	1			11 11 1 460 471	E		
16	SCREW PLUG	M10X1	1			07 11 9 919 112			
17	GASKET RING	A10X13,5-CU	1			07 11 9 963 072			
18	FILLISTER-HEAD SCREW								
18	FILLISTER-HEAD SCREW	M6X60	2			07 11 9 919 961			
18	FILLISTER-HEAD SCREW	M6X60	2			61 12 2 322 496	AE		
18	FILLISTER-HEAD SCREW	M6X60	2			07 11 9 919 963			
19	PUMP COVER		1			11 51 1 460 257		1	
20	FILLISTER-HEAD SCREW	M6X20	6			23 11 2 322 407			
21	O-RING	13,3X2,4	1			11 41 1 460 457			
22	OIL PUMP STRAINER		1			11 41 1 460 404	E		
23	RUBBER GROMMET		1			11 41 1 460 315			
24	FILLISTER-HEAD SCREW	M6X25-ZNS	1			07 11 9 919 625			
25	OIL FILTER FOR CATALYST		1			11 42 1 460 845			
26	GASKET RING		1			11 42 1 461 534			
27	SELF-LOCKING HEX NUT								
27	SELF-LOCKING HEX NUT	M8	1		07/90	07 12 9 922 428	AE		
27	SELF-LOCKING HEX NUT	M8	1			07 12 9 964 675			

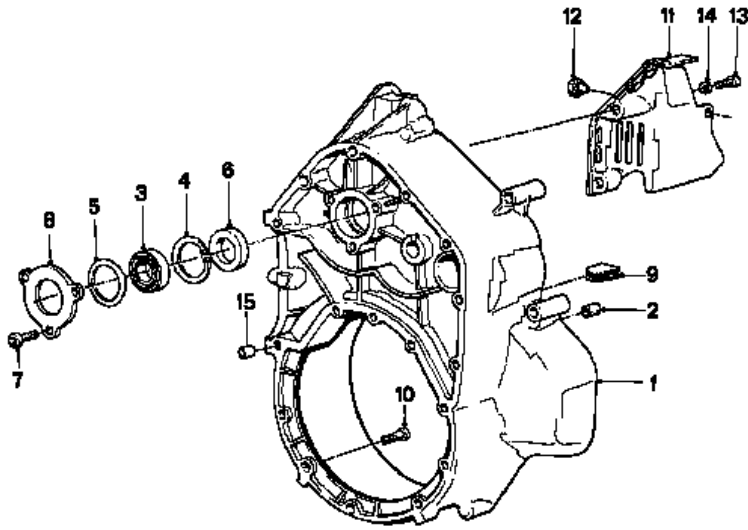
Diagrams 11_1818 WATERPUMP/OILPUMP - OIL FILTER
Series: K100-K100LT..83-91



00001187

No.	Description	Supplement	Qty	From	Up To	Part Number	AT	R	TI
1	PUMP UNIT		1			11 51 7 676 371		1	
2	WATERPUMP HOUSING		1			11 51 1 464 900		1	
3	PISTON		1			11 41 1 460 258			
4	COMPRESSION SPRING		1			11 41 1 460 259			
5	SCREW PLUG		1			11 41 1 460 483			
6	GASKET RING	A20X24-CU	1			07 11 9 963 342			
7	SLIP-RING SEAL								
7	SLIP-RING SEAL		1			11 51 1 464 901	E		
--	ONLY IN CONJUNCTION WITH SPACER BUSHING		1			11 51 1 464 902			
8	SHAFT SEAL	12X25X5	1			11 41 1 460 349	E		
9	DRIVE SHAFT		1			11 41 1 461 181		1	
10	O-RING	7-2	1			11 41 1 460 824	E		
11	SHAFT	Z=32	1			11 41 1 461 183		1	
12	OIL PRESSURE SWITCH		1			12 61 1 277 642		1	
13	SCREW	M8X22	1			12 31 1 460 853			
14	ROTOR		1			11 41 1 461 173			
15	SPACER BUSHING		1			11 41 1 461 174	E		
16	SCREW PLUG	M10X1	1			07 11 9 919 112			
17	GASKET RING	A10X13,5-CU	1			07 11 9 963 072			
18	FILLISTER-HEAD SCREW	M6X60	2			61 12 2 322 496	AE		
18	FILLISTER-HEAD SCREW	M6X60	2			07 11 9 919 963			
19	FILLISTER-HEAD SCREW	M6X25-ZNS	5			07 11 9 919 625			
19	FILLISTER-HEAD SCREW	M6X25	1			07 11 9 919 926			
20	PUMP COVER		1			11 51 1 460 257		1	
22	O-RING	13,3X2,4	1			11 41 1 460 457			
23	OIL PUMP STRAINER		1			11 41 1 460 597			
25	OIL FILTER FOR CATALYST		1			11 42 1 460 845			
26	GASKET RING		1			11 42 1 461 534			
27	O-RING	27,3X2,4	1			11 11 1 460 471	E		

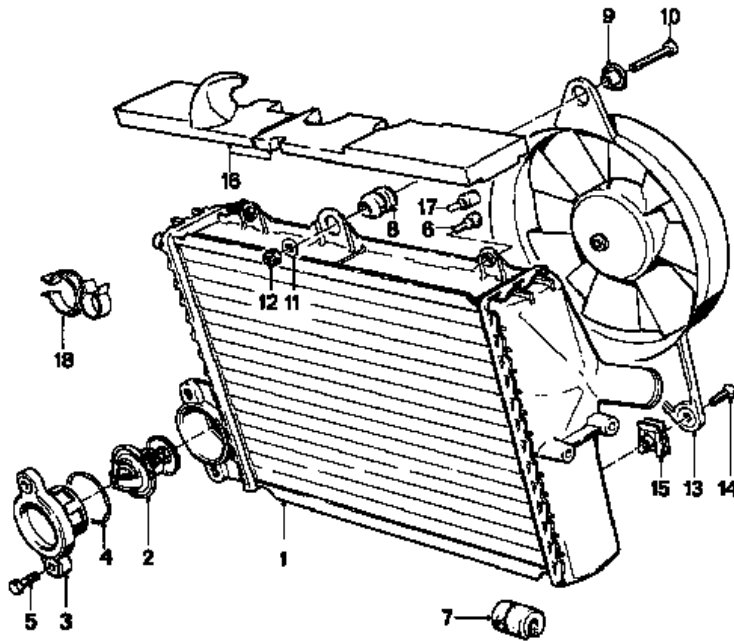
Diagrams 11_1768 INTERMEDIATE HOUSING/ALTERNATOR COVER
 Series: K100-K100LT..83-91



00001158

No.	Description	Supplement	Qty	From	Up To	Part Number	AT	R	TI
1	INTERMEDIATE HOUSING		1			11 14 1 461 588	E	1	
2	DOWEL		2			11 14 1 460 790			
3	GROOVED BALL BEARING	20X42X12	1			11 14 1 460 805		1	
4	LOCK RING	42X1,75	1			07 11 9 934 710			
5	DIAPHRAGM SPRING		1			11 14 1 460 890			
6	SHAFT SEAL	26X42X5,5/7	1			11 14 1 460 809			
7	FILLISTER-HEAD SCREW	M6X12	3			07 11 9 919 913			
8	INTERMEDIATE PLATE		1			11 14 1 460 728			
9	PADDING		1			11 14 1 460 478			
10	SCREW	M6X25	X			11 14 1 460 752			
11	ALTERNATOR COVER		1			11 14 1 464 637			
12	BUMP STOP		1			11 14 1 460 487			
13	FILLISTER HEAD WITH WASHER	M5X12	2			07 11 9 919 905			
14	FLAT WASHER	5,3-ZNS	2			07 11 9 931 029			
15	DOWEL		2			11 12 1 250 717			

Diagrams 11_1761 RADIATOR - THERMOSTAT/FAN
 Series: K100-K100LT..83-91

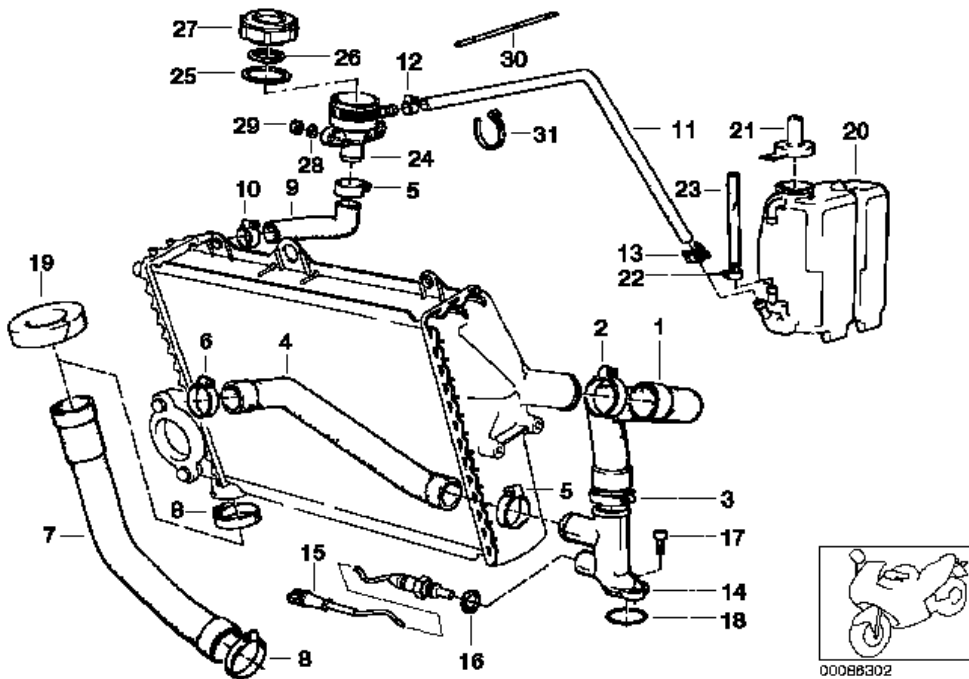


00001149

No.	Description	Supplement	Qty	From	Up To	Part Number	AT	R	TI
1	RADIATOR								
1	RADIATOR		1			17 11 1 461 223	AE	1	
1	RADIATOR		1			17 11 1 464 568		1	
--	ONLY IN CONJUNCTION WITH								
--	SPACER BUSHING		1			17 11 1 461 860			
--	FILLISTER-HEAD SCREW	M6X55	1			07 11 9 920 003			
2	THERMOSTAT		1			17 11 1 460 716		1	
3	COVER		1			17 11 1 460 717			
4	O-RING	47,29X2,62	1			17 11 1 460 718			
5	HEX BOLT	M5X12	2			07 11 9 915 112	E		
6	BUMP STOP		2			17 11 1 460 400			
7	PAD		2			17 11 1 460 219			
8	RUBBER GROMMET		1			17 11 1 460 768			
9	SPACER BUSHING		2			17 11 1 460 767			
10	FILLISTER-HEAD SCREW	M6X40	1			17 11 1 460 581			
11	FLAT WASHER	6,4	1			07 11 9 936 425			
12	CAGE NUT								
12	CAGE NUT	M6	1			07 12 9 926 511			
12	CAGE NUT	M6	1			17 11 1 460 791			
13	FAN		1			17 40 1 460 427		1	
14	COUNTERSUNK HEAD SCREW	M6X16	2			07 11 9 900 816			
15	NUT HOLDER	M6-ZNS	2			61 21 1 366 389	E		

Diagrams 11_1762 COOLING SYSTEM - WATER HOSES

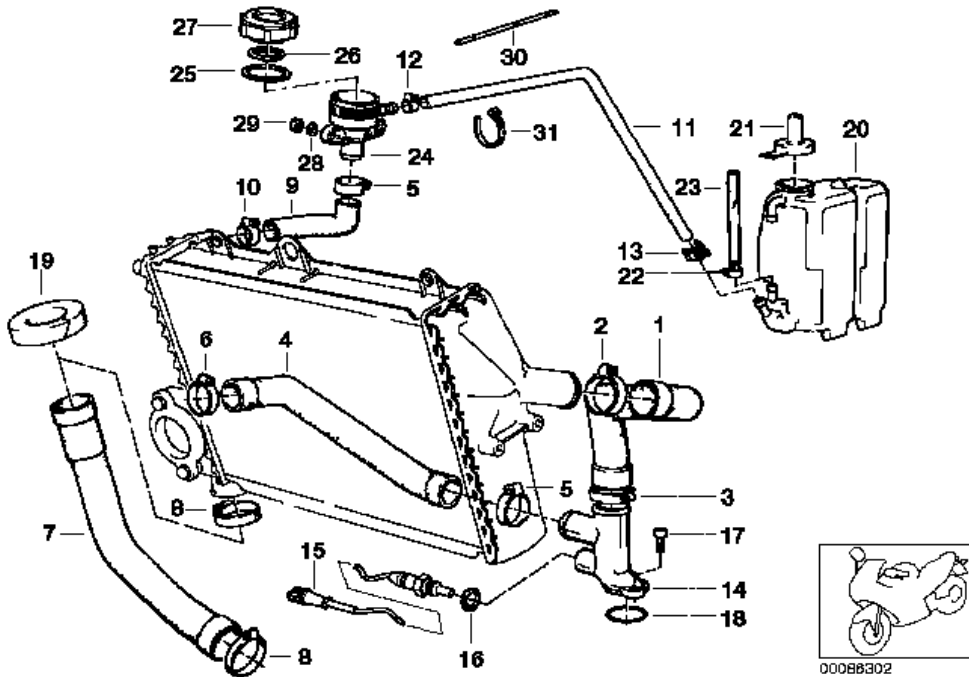
Series: K100-K100LT..83-91



No.	Description	Supplement	Qty	From	Up To	Part Number	AT	R	TI
1	WATER HOSE		1			17 12 1 460 278			
2	HOSE CLAMP	L37-43	1			07 12 9 952 117			
3	HOSE CLAMP	D=40	1			17 12 1 460 938	E		
4	WATER HOSE		1			17 12 1 460 416			
5	HOSE CLAMP	D=29	2			17 12 1 460 944			
6	HOSE CLAMP	D=32	1			17 12 1 460 937			
7	WATER HOSE		1			17 12 1 460 266			
8	HOSE CLAMP	L37-43	2			07 12 9 952 117			
9	WATER HOSE		1			17 12 1 460 314			
10	HOSE CLAMP	L28-33	1			07 12 9 952 113			
11	WATER HOSE	880MM	1			17 11 1 152 866			
12	HOSE CLAMP	10MM	1			17 11 1 460 862			
13	HOSE CLAMP	12,3MM	1			17 11 1 460 922			
14	WATER CONNECTOR		1			11 53 1 460 287			
15	TEMPERATURE SENSOR		1			61 31 1 459 197		1	
16	GASKET RING	A12X15,5-AL	1			07 11 9 963 130			
17	FILLISTER-HEAD SCREW	M6X25	2			11 14 1 460 678			
18	O-RING	27,3X2,4	1			11 11 1 460 471	E		
20	EXPANSION TANK								
20	EXPANSION TANK		1			17 11 1 464 650		1	
--	ONLY IN CONJUNCTION WITH								
--	WATER HOSE	880MM	1			17 11 1 152 866			
20	EXPANSION TANK		1			17 11 1 461 577	E		
--	ONLY APPLIES TO								
--	PIPE		X			17 11 1 460 497			
21	COVER								

Diagrams 11_1762 COOLING SYSTEM - WATER HOSES

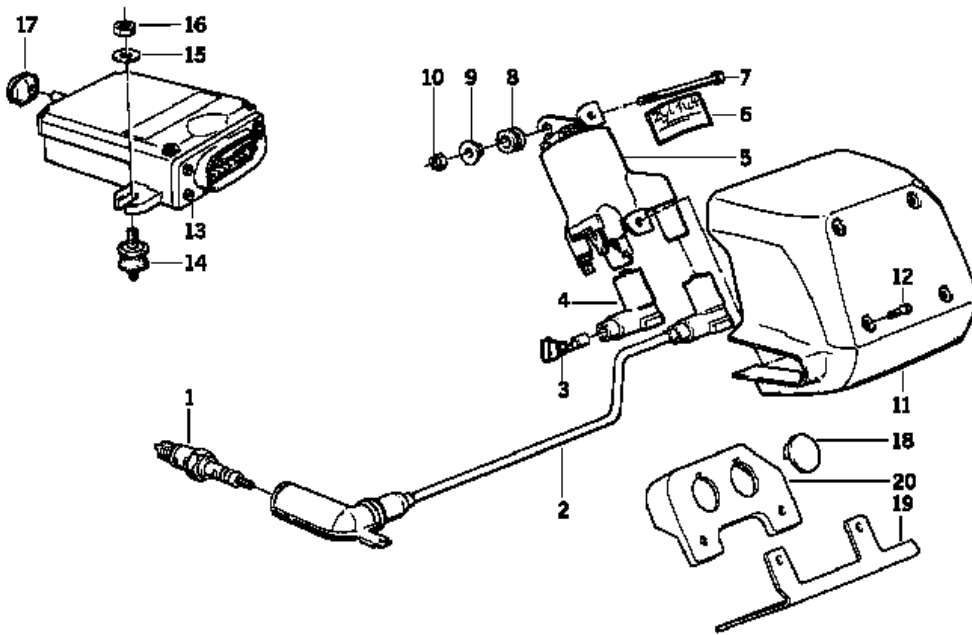
Series: K100-K100LT..83-91



No.	Description	Supplement	Qty	From	Up To	Part Number	AT	R	TI
15	TEMPERATURE SENSOR		1			61 31 1 459 197		1	
16	GASKET RING	A12X15,5-AL	1			07 11 9 963 130			
17	FILLISTER-HEAD SCREW	M6X25	2			11 14 1 460 678			
18	O-RING	27,3X2,4	1			11 11 1 460 471	E		
20	EXPANSION TANK								
20	EXPANSION TANK		1			17 11 1 464 650		1	
--	ONLY IN CONJUNCTION WITH WATER HOSE	880MM	1			17 11 1 152 866			
20	EXPANSION TANK		1			17 11 1 461 577	E		
--	ONLY APPLIES TO PIPE		X			17 11 1 460 497			
21	COVER		1			17 11 1 460 851	AE		
21	COVER		1			17 11 1 465 286		1	
22	HOSE CLAMP		2			11 73 1 277 848			
23	PIPE		1			17 11 1 460 497			
24	CONTAINER		1			17 11 1 460 313		1	
25	GASKET		1			17 11 1 460 316			
26	GASKET		1			17 11 1 460 759			
27	LOCK		1			17 11 1 464 720			
28	FLAT WASHER	5,3-ZNS	4			07 11 9 931 029			
29	SELF-LOCKING HEX NUT		1			63 14 2 322 408	AE		
29	SELF-LOCKING HEX NUT	M5	1	02/96		07 11 9 964 653			
29	HEX NUT	M5	1			32 73 1 451 809			
30	CABLE STRAP		1			61 13 1 367 599			
31	CABLE STRAP	L=200MM/B=3,6	1						

Diagrams 12_0753 IGNITION SYSTEM

Series: K100-K100LT..83-91

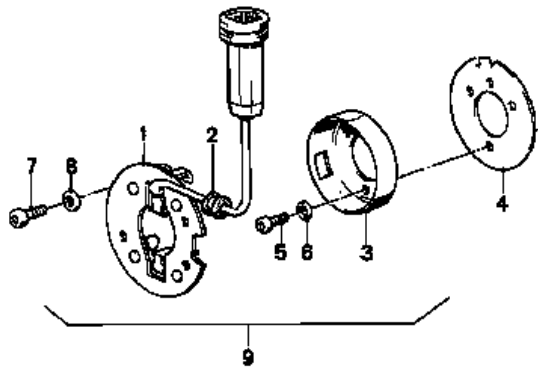


00001705

No.	Description	Supplement	Qty	From	Up To	Part Number	AT	R	TI
1	SPARK PLUG	X5DC	4			12 12 1 460 800		1	
2	IGNITION WIRE		1			12 12 1 459 183		1	
2	IGNITION WIRE	1	1			12 12 1 459 184		1	
2	IGNITION WIRE	2	1			12 12 1 459 185		1	
2	IGNITION WIRE	3	1			12 12 1 459 186		1	
2	IGNITION WIRE	4	1			12 12 1 459 186		1	
3	CIRCULAR CONNECTOR		4			12 12 1 363 327			
4	SUPPRESSING SOCKET		4			12 12 1 459 125			
5	IGNITION COIL		2			12 13 1 459 513		1	
6	LABEL								
6	LABEL	ZYL.1+4	1			71 21 2 305 187			
6	LABEL	ZYL.2+3	1			71 21 2 305 188			
7	HEX BOLT	M6X85	2			07 11 9 912 364			
8	RUBBER GROMMET		4			31 42 1 235 615			
9	BUSH		8			12 13 1 459 053			
10	SELF-LOCKING HEX NUT	M6	2			07 12 9 922 705			
11	COVER		1			61 13 2 300 469			
12	FILLISTER HEAD WITH WASHER	M4X10-Z1	4		07/87	07 11 9 919 751			
13	CONTROL UNIT		1			12 14 1 459 018			1
14	RUBBER MOUNTING		2			12 14 1 459 190	E		
15	FLAT WASHER	A6,4	2			07 11 9 931 044			
16	HEX NUT								
16	HEX NUT	M6	2		08/96	23 11 2 322 368	AE		
16	HEX NUT	M6-8-ZNS	2			07 11 9 922 832			
17	RUBBER GROMMET		1			12 14 1 459 514			

Diagrams 12_0752 IGNITION SENSOR

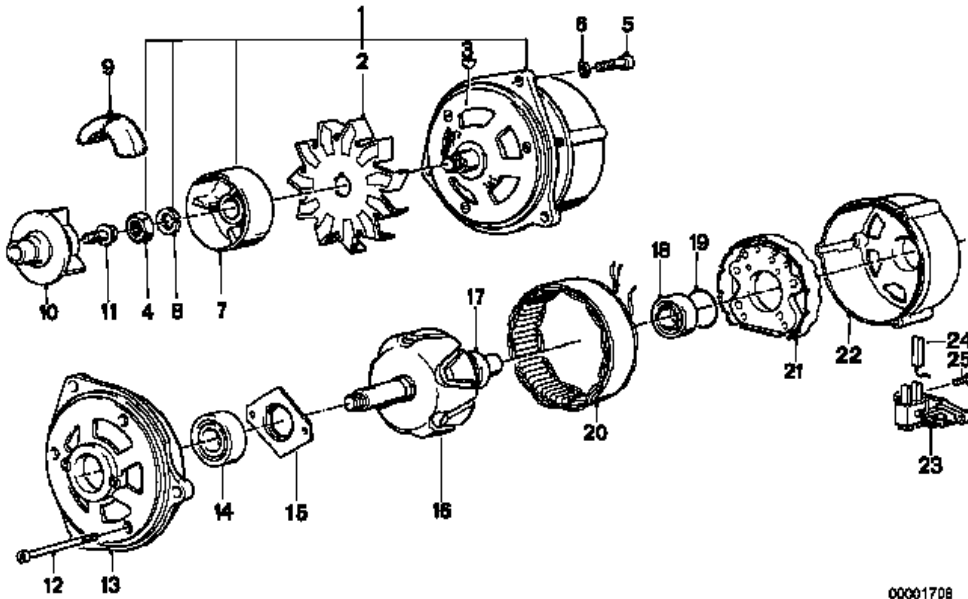
Series: K100-K100LT..83-91



00001704

No.	Description	Supplement	Qty	From	Up To	Part Number	AT	R	TI
2	GROMMET		1			12 11 1 459 052			
3	ROTOR		1			12 11 1 459 032	AE	1	
3	ROTOR	C45	1			12 11 1 465 078		1	
4	ADJUSTING PLATE		1			12 11 1 459 092			
5	FILLISTER-HEAD SCREW	M4X10	3			07 11 9 919 752			
6	FLAT WASHER	A4,3	3			07 11 9 931 027			
7	FILLISTER HEAD WITH WASHER	M5X12	2			07 11 9 920 153			
8	SPACER RING	A5,3	2			12 11 1 459 093			
9	IGNITION SENSOR		1			12 11 1 459 033		1	

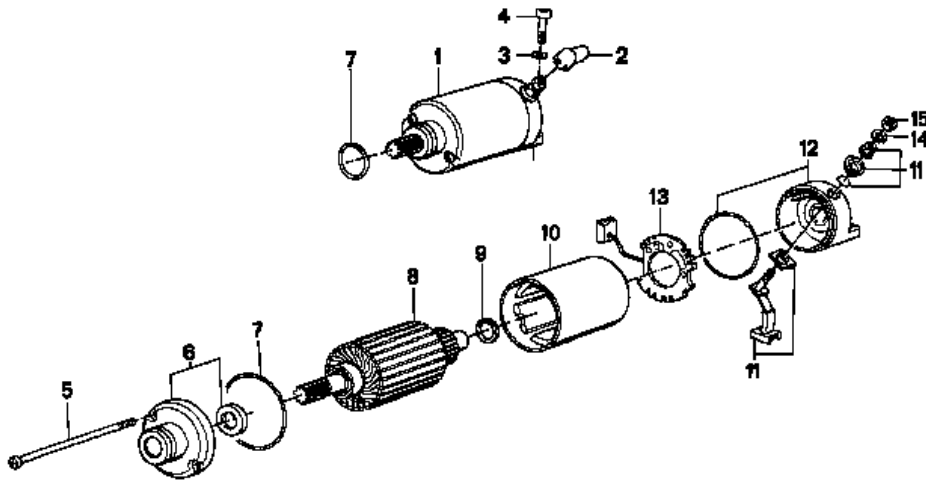
Diagrams 12_0754 ALTERNATOR PARTS
Series: K100-K100LT..83-91



00001708

No.	Description	Supplement	Qty	From	Up To	Part Number	AT	R	TI
1	GENERATOR	33A	1			12 31 2 305 316		1	
2	FAN WHEEL		1			12 31 1 459 036		1	
3	WOODRUFF KEY	4X5	1			07 11 9 951 453			
4	HEX NUT	M14X1,5	1		02/87	07 11 9 901 309			
5	FILLISTER-HEAD SCREW	M8X30	3			07 11 9 919 643			
6	WAVE WASHER	B8	3			07 11 9 932 095			
7	CLUTCH HOUSING		1			12 31 1 460 302			
8	SPRING WASHER	B14	1		02/87	07 11 9 933 148			
9	RUBBER MOUNTING		3			12 31 1 464 877			
10	DRIVING DOG		1			12 31 1 460 304		1	
11	SCREW								
11	SCREW	M8X22	1			12 31 1 460 853			
11	SCREW	M8X40	1			12 31 1 461 463			
12	FILLISTER-HEAD SCREW		3			12 31 1 459 289			
13	HOUSING ASSY FRONT		1			12 31 1 459 277		1	
14	GROOVED BALL BEARING		1			12 31 1 459 278		1	
15	SUPPORTING PLATE		1			12 31 1 459 279			
16	ROTOR		1			12 31 1 459 280		1	
17	SLIP RING		1			12 31 1 459 281			
18	GROOVED BALL BEARING	28X12X12	1			12 31 1 714 521			
19	O-RING		1			12 31 1 276 224			
20	STATOR ASSY		1			12 31 1 459 288		1	
21	DIODE ASSY		1			12 31 1 459 284		1	
22	HOUSING ASSY REAR		1			12 31 1 459 283			
23	VOLTAGE REGULATOR		1			12 31 1 459 286		1	
24	CARBON BRUSH SET		1			12 31 1 727 756			
25	SCREW		2			12 31 1 459 291			

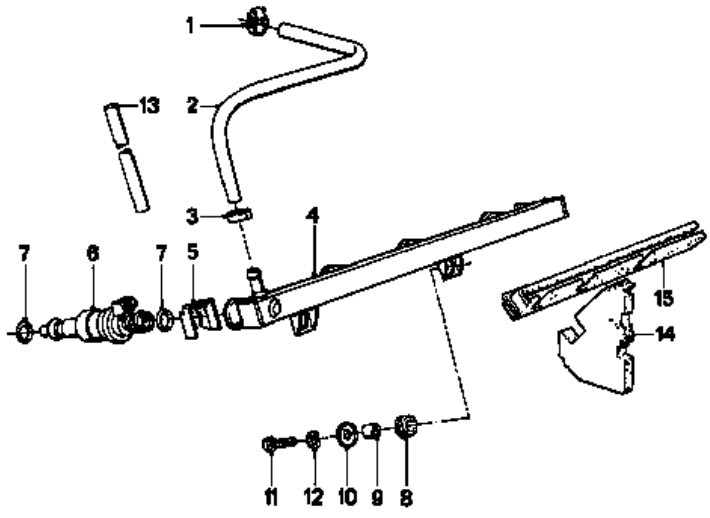
Diagrams 12_0755 STARTER PARTS
 Series: K100-K100LT..83-91



00001707

No.	Description	Supplement	Qty	From	Up To	Part Number	AT	R	TI
1	STARTER		1			12 41 1 459 007		1	
2	PROTECTION CAP		1			12 41 1 459 411			
3	FLAT WASHER	6,4	2			07 11 9 931 696			
4	FILLISTER-HEAD SCREW	M6X25-ZNS	2			07 11 9 919 625			
5	FILLISTER-HEAD SCREW		2			12 41 1 459 499		1	
6	HOUSING ASSY FRONT		1			12 41 1 459 497		1	
7	REPAIR KIT STARTER MOTOR		1			12 41 1 459 445			
8	ARMATURE		1			12 41 1 459 496		1	
9	SPACER RING	0,3	1			12 41 1 459 566			
10	EXCITER WINDING		1			12 41 1 459 495		1	
11	CARBON BRUSH SET		1			12 41 1 459 567			
12	COLLECTOR GUIDING		1			12 41 1 459 498		1	
13	BRUSH HOLDER PLATE		1			12 41 1 459 297			
14	SPRING WASHER	B6	1			07 11 9 933 082			
15	SELF-LOCKING HEX NUT	M6	1			07 12 9 946 350			

Diagrams 13_0514 FUEL INJECTION SYSTEM/INJECTION VALVE
Series: K100-K100LT..83-91

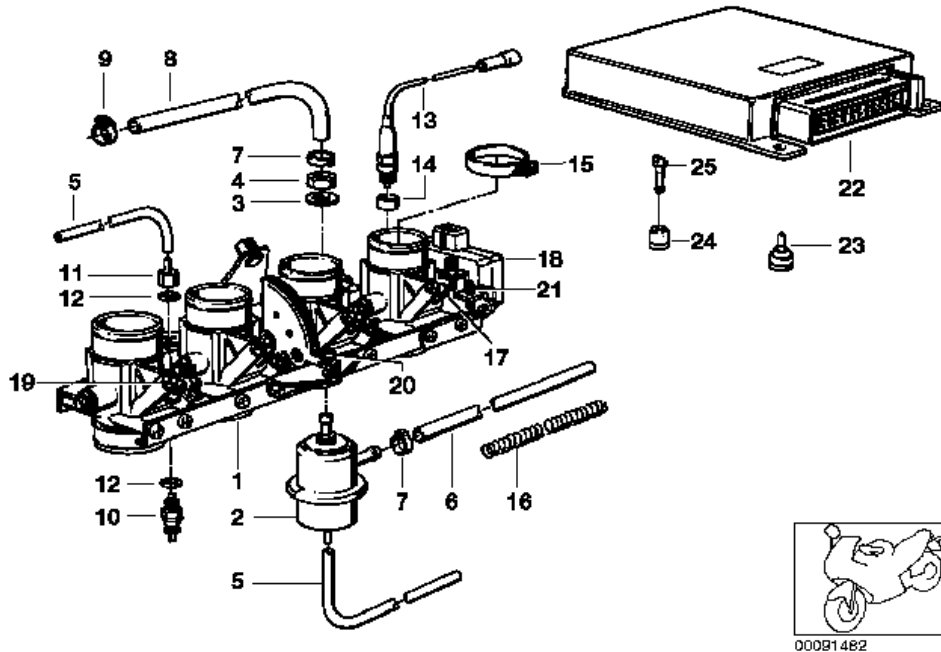


00002172

No.	Description	Supplement	Qty	From	Up To	Part Number	AT	R	TI
1	HOSE CLAMP	D=12,5	1			17 12 1 461 500			
2	FUEL HOSE	8X13MM	X			13 31 1 722 262	AE		
2	FUEL HOSE	8X13MM	X			16 12 1 180 409			
3	HOSE CLAMP								
3	HOSE CLAMP	D=13	1			13 31 1 460 928			
3	HOSE CLAMP	D=12,5	1			17 12 1 461 500			
4	PIPE		1			13 53 1 460 409			
5	CLAMP								
5	CLAMP		4			13 53 1 274 729			
5	CLAMP		4			13 53 1 460 415	E		
6	INJECTION VALVE		4			13 64 1 460 450		1	
7	O-RING								
7	O-RING	7,8X3,6	8			13 64 1 286 708	AE		
7	O-RING	7,52X3,53	8			13 64 1 730 767			
8	RUBBER GROMMET		2			13 53 1 460 417			
9	SPACER SLEEVE		2			13 53 1 460 414			
10	FLAT WASHER		4			13 53 1 460 413			
11	HEX BOLT	M6X22	2			07 11 9 913 020			
12	WAVE WASHER	B6	2			07 11 9 932 099			
13	INSULATING HOSE	170MM	1			13 31 1 461 507			

Diagrams 13_0515 THROTTLE HOUSING ASSY/CONTROL UNIT

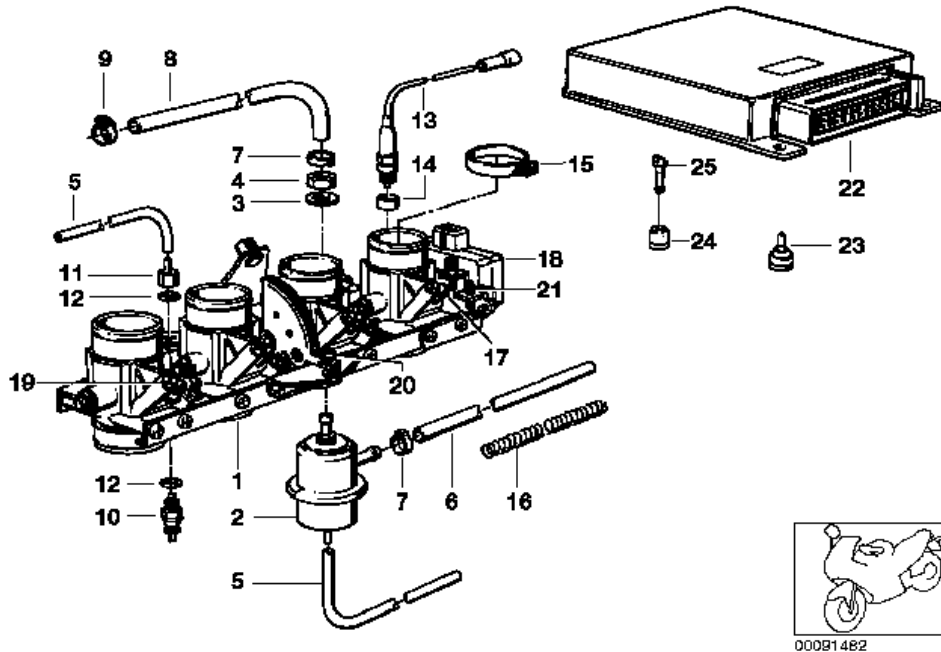
Series: K100-K100LT..83-91



No.	Description	Supplement	Qty	From	Up To	Part Number	AT	R	TI
1	THROTTLE HOUSING ASSY								
1	THROTTLE HOUSING ASSY		1			13 54 1 461 765	AE		
1	THROTTLE HOUSING ASSY		1			13 54 1 461 807		1	
--	ACCELERATOR BOWDEN CABLE		1			32 73 1 457 378		1	
2	PRESSURE REGULATOR		1			13 53 1 460 451		1	
3	FLAT WASHER	13	1			07 11 9 931 699			
4	HEX NUT	M12X1,5	1			07 11 9 922 940			
5	VACUUM HOSE BLACK	3,3X1,75	X			51 73 1 257 971			
6	FUEL HOSE								
6	FUEL HOSE	8X13MM	X			13 31 1 722 262	AE		
6	FUEL HOSE	8X13MM	X			16 12 1 180 409			
7	HOSE CLAMP	D=12,5	2			17 12 1 461 500			
8	HOSE		1			13 31 1 461 011			
9	HOSE CLAMP	D=13	1			13 31 1 460 928			
13	SWITCH		1			61 31 1 459 569		1	
14	RING		1		08/90	13 54 1 460 926			
15	HOSE CLAMP	D=46	4			11 61 1 460 940			
16	SPRING		1			13 54 1 461 531			
17	PROTECTION CAP		3			13 54 1 460 594			
18	THROTTLE VALVE SWITCH		1			13 63 1 273 265		1	
19	ADJUSTING SCREW								
19	ADJUSTING SCREW		4			13 54 1 461 261			
--	GASKET RING		4			13 11 1 257 819			

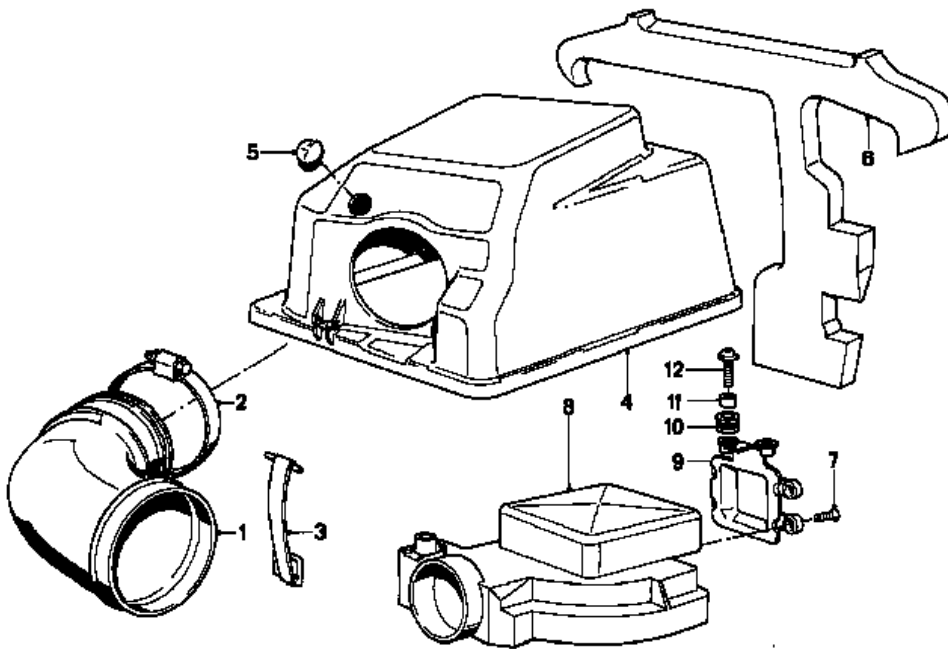
Diagrams 13_0515 THROTTLE HOUSING ASSY/CONTROL UNIT

Series: K100-K100LT..83-91



No.	Description	Supplement	Qty	From	Up To	Part Number	AT	R	TI
6	FUEL HOSE	8X13MM	X			16 12 1 180 409			
7	HOSE CLAMP	D=12,5	2			17 12 1 461 500			
8	HOSE		1			13 31 1 461 011			
9	HOSE CLAMP	D=13	1			13 31 1 460 928			
13	SWITCH		1			61 31 1 459 569		1	
14	RING		1		08/90	13 54 1 460 926			
15	HOSE CLAMP	D=46	4			11 61 1 460 940			
16	SPRING		1			13 54 1 461 531			
17	PROTECTION CAP		3			13 54 1 460 594			
18	THROTTLE VALVE SWITCH		1			13 63 1 273 265		1	
19	ADJUSTING SCREW								
19	ADJUSTING SCREW		4			13 54 1 461 261			
--	ONLY IN CONJUNCTION WITH GASKET RING		4			13 11 1 257 819			
20	ADJUSTING SCREW		1			13 54 1 461 237			
21	ADJUSTER		1			13 54 1 461 238			
22	CONTROL UNIT L-JETRONIC								
22	CONTROL UNIT L-JETRONIC		1			13 61 1 460 950		1	
	FOR VEHICLES WITH OFFICIAL VEHICLES	= YES							
22	CONTROL UNIT L-JETRONIC		1			13 61 1 461 828		1	
23	BUMP STOP		2			51 16 1 459 067			
24	BUMP STOP		1			51 16 1 459 068			
25	PIN		1			51 16 1 459 069			

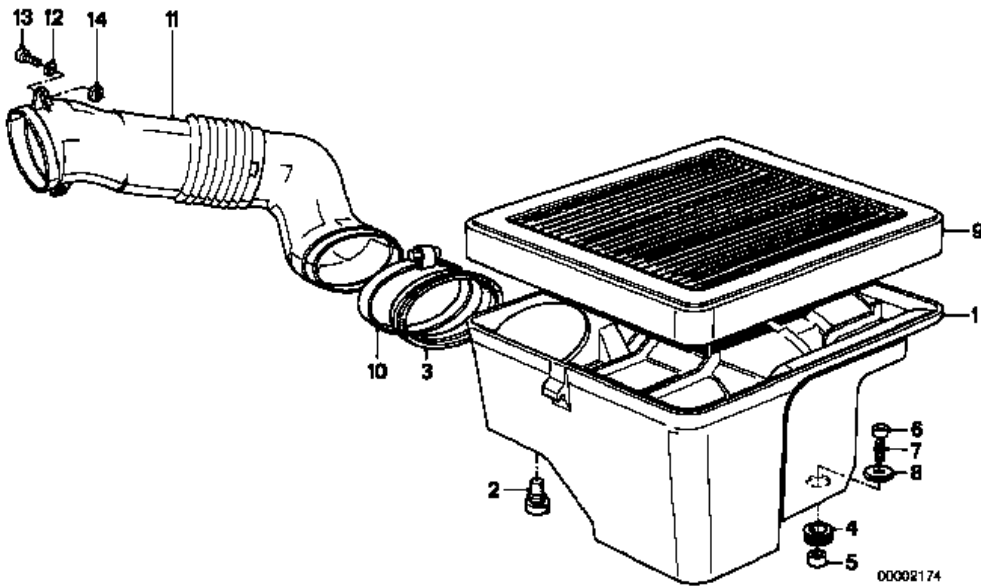
Diagrams 13_0517 TOP AIR CLEANER HOUSING/AIR-FLOW SENSOR
 Series: K100-K100LT..83-91



00002175

No.	Description	Supplement	Qty	From	Up To	Part Number	AT	R	TI
1	HOSE ASSY		1			13 31 1 460 386			
2	HOSE CLAMP	D=66	1			13 31 1 460 941			
3	SPRING		3			13 72 1 460 488			
4	AIR CLEANER HOUSING TOP		1			13 72 1 460 338			
5	BLIND PLUG								
5	BLIND PLUG		1			13 72 1 460 802			
FOR VEHICLES WITH SWITZERLAND VERSION									
5	BADGE	= YES	1			13 72 1 464 075			
7	COUNTERSUNK HEAD SCREW	M6X12	4			52 10 1 817 063			
8	VOLUME AIR FLOW SENSOR		1			13 62 1 460 447		1	
9	BRACKET		1			13 62 1 460 738			
10	RUBBER GROMMET		2			31 42 1 236 240			
11	BUSH		2			31 42 1 236 241			
12	FILLISTER HEAD SCREW		2			13 72 1 460 964			

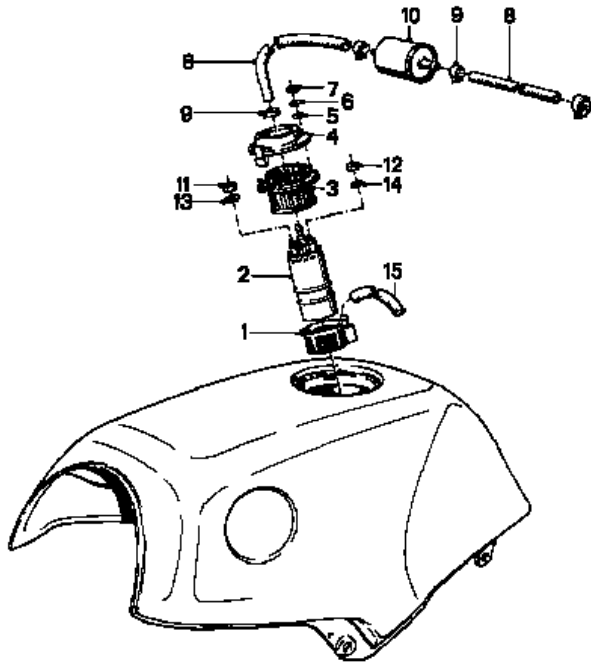
Diagrams 13_0516 BOTTOM AIR CLEANER HOUSING/AIR CLEANER
 Series: K100-K100LT..83-91



No.	Description	Supplement	Qty	From	Up To	Part Number	AT	R	TI
1	AIR CLEANER HOUSING BOTTOM		1			13 72 1 460 339		1	
2	BUMP STOP		3			13 72 1 460 894			
3	GASKET		1			13 72 1 460 754			
4	RUBBER GROMMET		2			13 72 1 460 448			
5	BUSH		2			31 42 1 232 241			
6	FILLISTER-HEAD SCREW	M8X30	2			07 11 9 919 643			
7	RING		2			46 71 1 451 942			
8	FLAT WASHER		4			11 42 1 338 494			
9	AIR FILTER ELEMENT		1			13 72 1 460 337			
10	HOSE CLAMP	D=78	1			13 31 1 460 942			
11	INTAKE MANIFOLD		1			13 72 1 460 753			
12	FLAT WASHER	5,3	1			07 11 9 936 416			
13	HEX BOLT	M5X10	1			07 11 9 913 218			

Diagrams 16_0243 FUEL PUMP/FUEL FILTER

Series: K100-K100LT..83-91

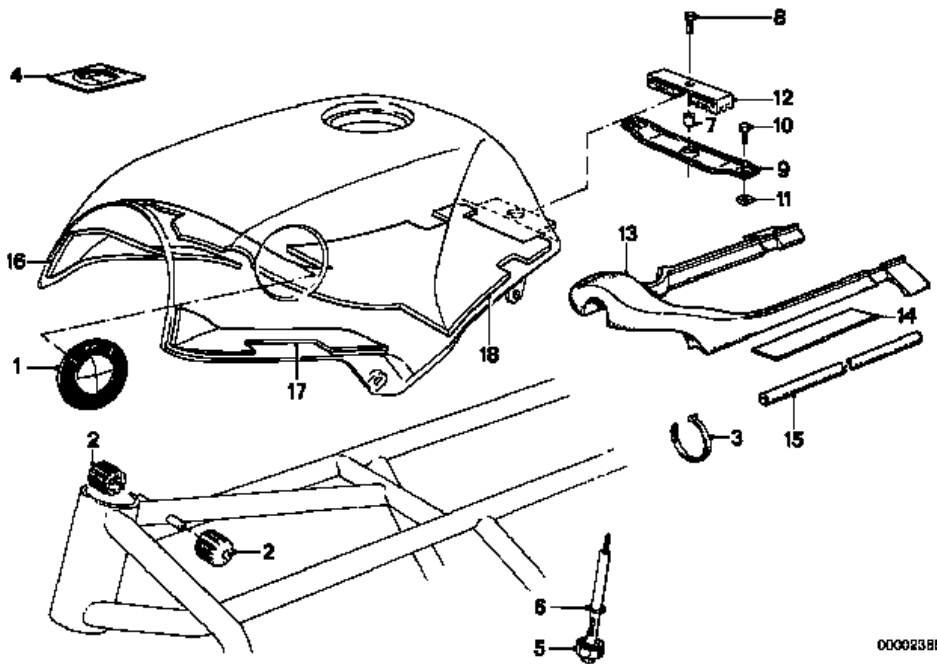


00002391

No.	Description	Supplement	Qty	From	Up To	Part Number	AT	R	TI
1	FUEL FILTER		1	05/85		16 12 1 455 126		1	
2	FUEL PUMP		1			16 12 1 461 576		1	T
3	VIBRATION DAMPER		1	05/85		16 12 1 464 628		1	
4	SUPPORTING RING		1			16 12 1 464 629			
5	FLAT WASHER		6			16 12 1 453 214			
7	SELF-LOCKING HEX NUT	M5	6			07 12 9 964 603			
8	HOSE								
8	HOSE	340MM	2			13 31 1 460 870	AE		
8	FUEL HOSE	8X13	X			16 12 1 180 040			
9	HOSE CLAMP								
9	HOSE CLAMP	D=13	3			13 31 1 460 928			
9	HOSE CLAMP	D=12,5	1			17 12 1 461 500			
10	FUEL FILTER								
10	FUEL FILTER		1		11/97	13 32 1 461 265	AE	1	
10	FUEL FILTER		1			16 14 2 325 859			
11	HEX NUT	M5	1			07 11 9 922 038			
12	HEX NUT	M4	1			07 11 9 922 028			
13	SPRING WASHER	B5	1			07 11 9 933 060			
14	SPRING WASHER	B4	1			07 11 9 933 034			
15	HOSE	1000MM	1	05/85		16 13 1 455 350			

Diagrams 16_0238 FUEL TANK/ATTACHING PARTS

Series: K100-K100LT..83-91

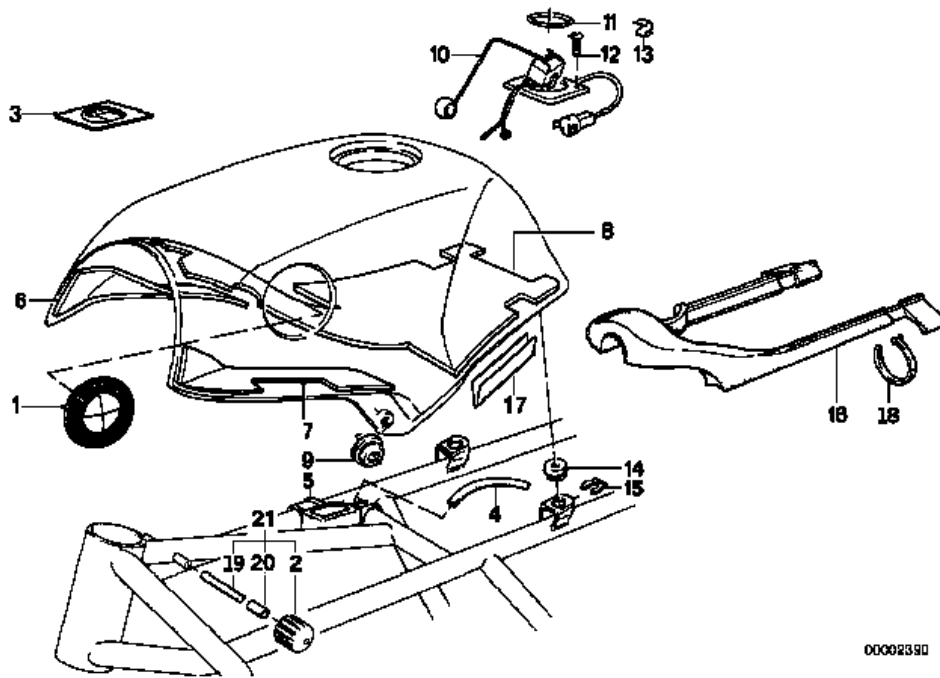


00002388

No.	Description	Supplement	Qty	From	Up To	Part Number	AT	R	TI
	*FG K100 0 008 130 /K100RS 0 084 624 / K100RT 0 027 887 /K100RS USA 0 042 659 /K100RT USA 0 053 294								
1	BADGE	D=70MM	2			16 11 2 325 179	E		
2	BUMP STOP		2			16 11 2 323 615			
3	CABLE STRAP	L=200MM/B=3,6	2			61 13 1 367 599			
4	LABEL	HELM	1			51 14 1 453 617			
5	PETROL GAUGE		1			61 31 1 459 047		1	
6	GASKET RING		1			61 31 1 459 448			
7	SPACER BUSHING		1			16 11 1 450 706			
8	HEX BOLT	M6X25-Z4	1			07 11 9 913 920			
9	BRACKET		1			16 11 1 450 704			
10	HEX BOLT	M6X12	2			07 11 9 913 013			
11	SQUARE NUT	M6	2			46 61 2 322 491			
12	PAD		1			16 11 1 451 196			
13	GASKET		1			16 11 1 453 063			
14	ADHESIVE TAPE		2			16 11 1 453 441			
15	HOSE	1000MM	X			16 13 1 455 350			

Diagrams 16_0242 FUEL TANK/ATTACHING PARTS

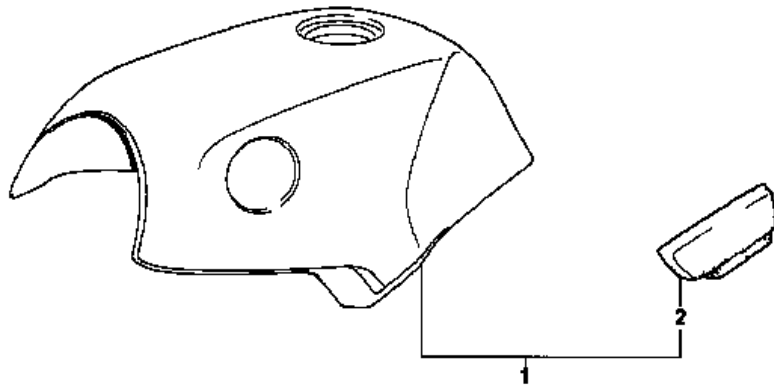
Series: K100-K100LT..83-91



00002390

No.	Description	Supplement	Qty	From	Up To	Part Number	AT	R	TI
	FG* K100 0008131 / K100RS 0084625 / K100RT 0027888 / K100RSUSA 0042660 / K100RTUSA 0053295								
1	BADGE	D=70MM	2			16 11 2 325 179	E		
2	BUMP STOP		2			16 11 2 323 615			
3	LABEL	HELM	1			51 14 1 453 617			
4	HOSE	1000MM	X			16 13 1 455 350			
5	AIR ACCUMULATOR		1			16 13 2 307 467			
9	RUBBER GROMMET		4			46 63 1 453 144			
10	PETROL GAUGE		1			62 16 1 459 565			
11	GASKET RING		1			62 16 1 459 608			
12	FILLISTER HEAD SCREW	M6X12-Z1	4			07 11 9 907 596			
13	CABLE CLAMP	D=15/B=4	1			61 13 1 351 044			
14	GROMMET		2		05/91	16 11 1 455 167			
15	CIRCLIP	KL 12	2		01/87	07 12 9 934 336			
16	GASKET		1			16 11 1 453 063			
18	CABLE STRAP	L=200MM/B=3,6	2			61 13 1 367 599			

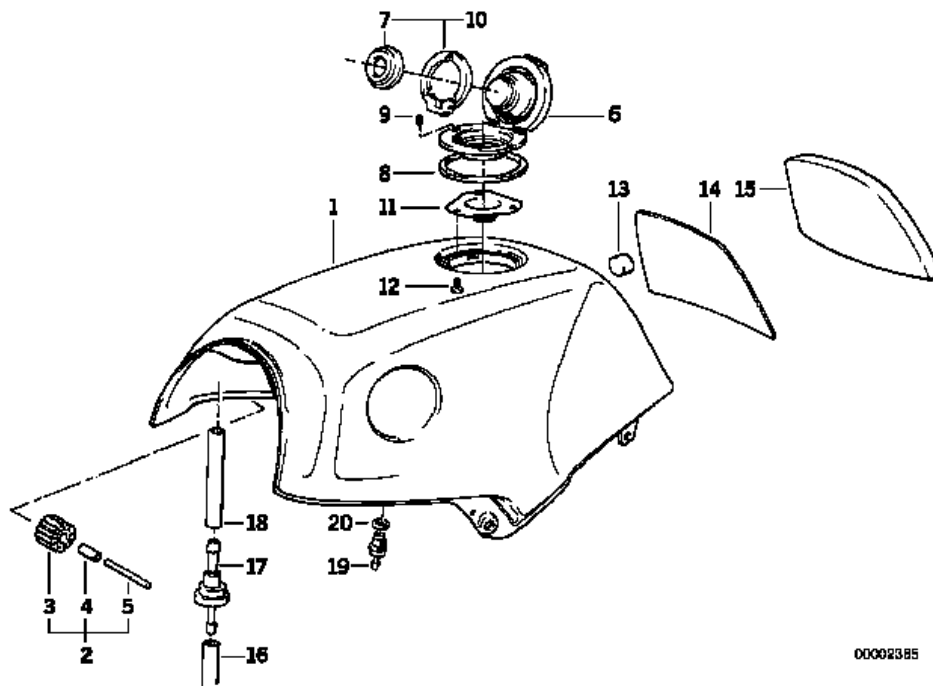
Diagrams 16_0244 FUEL TANK/KNEE PADDING
Series: K100-K100LT..83-91



00002332

No.	Description	Supplement	Qty	From	Up To	Part Number	AT	R	TI
1	RETROFIT KIT	SW	1			16 11 2 303 388			T
2	KNEE PADDING LEFT								
2	KNEE PADDING LEFT	SW	1			16 11 1 455 331			
2	KNEE PADDING RIGHT	SW	1			16 11 1 455 332			
2	KNEE PADDING LEFT	PERLBEIGE	1			16 11 2 303 611			
2	KNEE PADDING RIGHT	PERLBEIGE	1			16 11 2 303 612			

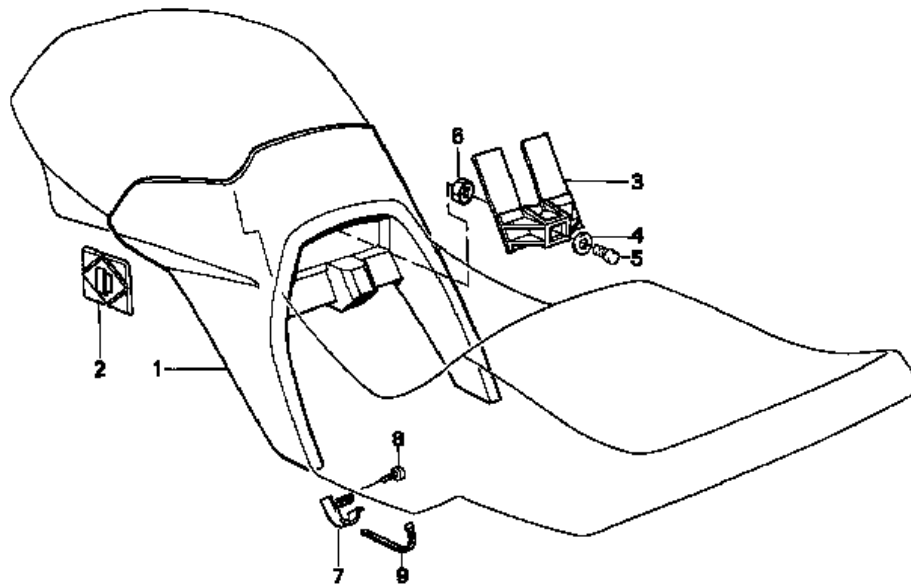
Diagrams 16_0328 FUEL TANK
Series: K100-K100LT..83-91



No.	Description	Supplement	Qty	From	Up To	Part Number	AT	R	TI
1	FUEL TANK PRIME COATED								
1	FUEL TANK PRIME COATED		1	05/85		16 11 1 455 011		1	
FOR VEHICLES WITH									
NATIONAL VERSION CALIFORNIA									
1	FUEL TANK PRIME COATED	Y749A = YES	1	05/85		16 11 1 455 101		1	
6	FILLER CAP								
6	FILLER CAP		1			16 11 1 453 641		1	
6	FILLER CAP	SHED	1			16 11 1 453 642	AE	1	
6	FILLER CAP	KAT/SHED	1			16 11 2 309 403		1	
8	GASKET RING		1			16 11 1 453 690			
9	COUNTERSUNK HEAD SCREW	M4X10	4			07 11 9 928 211			
10	GASKET SET		1			16 11 9 062 461			
11	INTERMEDIATE PLATE	KAT	1			16 11 2 309 404			
12	SELF TAPPING SCREW	M4X8	3			07 11 9 918 519			
14	PLATE		1			16 11 1 453 327			
FOR VEHICLES WITH									
OFFICIAL VEHICLES									
15	PLATE	= YES	1			16 11 2 303 111			
FOR VEHICLES WITH									
NATIONAL VERSION CALIFORNIA									
16	HOSE	Y749A = YES	1			16 11 1 464 706			
17	VALVE		1			16 13 1 453 424		1	
18	VACUUM HOSE BLACK	3,3X1,75	1			51 73 1 257 971			
19	VALVE		1			16 12 1 455 348		1	
20	GASKET RING	A16X20	1			07 11 9 963 251			

Diagrams 16_0329 FUEL TANK COVER

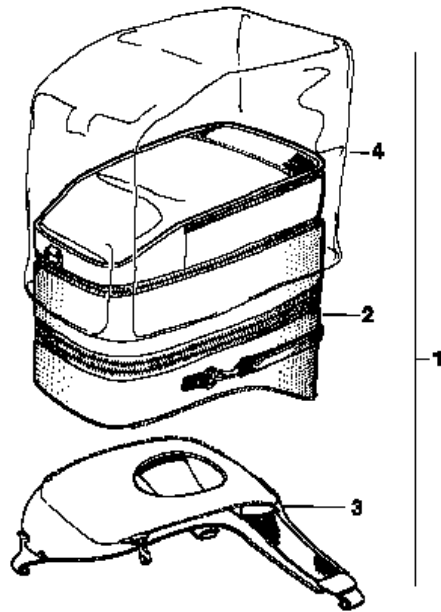
Series: K100-K100LT..83-91



00002385

No.	Description	Supplement	Qty	From	Up To	Part Number	AT	R	TI
1	COVERING FUEL TANK		1			16 11 2 308 502		1	
3	SUPPORTING PLATE		1			16 11 2 308 173			
4	FLAT WASHER	6,4	1			07 11 9 936 425			
5	FILLISTER-HEAD SCREW	M6X10	1			07 11 9 919 792			
6	CAGE NUT	M6	1			07 12 9 926 512			
7	FIXING CLAMP		2			16 11 2 308 663			
8	FILLISTER HEAD SELF-TAPPING SCREW	ST4,2X9,5	2			07 11 9 907 794	E		
9	CABLE STRAP	L=200MM/B=3,6	2			61 13 1 367 599			

Diagrams 16_0273 TANK-TOP BAG
Series: K100-K100LT..83-91

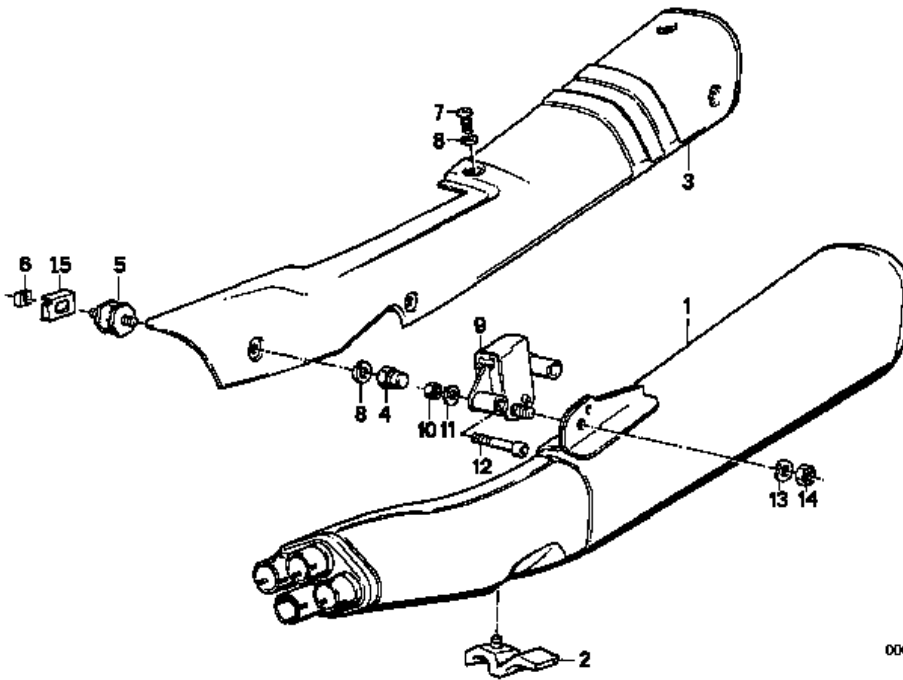


00002422

No.	Description	Supplement	Qty	From	Up To	Part Number	AT	R	TI
1	TANK-TOP BAG								
1	TANK-TOP BAG	MULTIVARIO 95	1			71 60 2 340 663	AE	1	
1	TANK-TOP BAG	MULTIVARIO 95	1			71 60 7 666 496		1	
2	TANK-TOP BAG								
2	TANK-TOP BAG	MULTIVARIO 95	1			71 60 2 340 655		1	
2	TANK-TOP BAG	MULTIVARIO 3	1			72 60 2 319 240		1	
3	BASE PLATE								
3	BASE PLATE	MULTIVARIO 95	1			71 60 2 340 658		1	
--	ONLY APPLIES TO TANK-TOP BAG	MULTIVARIO 95	X			71 60 2 340 655		1	
4	COVER		1			71 60 2 304 369	E		

Diagrams 18_0277 EXHAUST SYSTEM

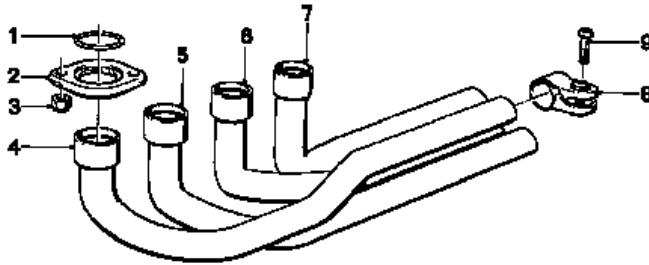
Series: K100-K100LT..83-91



00002750

No.	Description	Supplement	Qty	From	Up To	Part Number	AT	R	TI
	FG* 09/85								
1	MUFFLER		1			18 12 2 310 390		1	
2	ABSORBER		1			18 12 1 451 996			
3	COVER	SW	1			18 12 2 310 394		1	
4	CAP NUT	M6	1			18 12 1 454 534			
5	RUBBER MOUNTING		1			18 12 1 454 495			
6	NUT		6			18 12 1 451 805			
7	SCREW	M6X5,7	6			18 12 1 451 806			
8	WAVE WASHER	A6	6			07 11 9 932 096			
9	RUBBER MOUNTING								
9	RUBBER MOUNTING		1			18 21 1 454 981			
9	RUBBER MOUNTING		1			18 21 1 454 982			
--	ONLY IN CONJUNCTION WITH LEFT CASE HOLDER		1			46 54 2 300 037		1	
10	SELF-LOCKING HEX NUT	M6	2			07 12 9 946 350			
11	WAVE WASHER	B6	4			07 11 9 932 099			
12	FILLISTER-HEAD SCREW	M6X40	2			07 11 9 919 628			
13	WAVE WASHER	B8	1			07 11 9 932 121			
14	SELF-LOCKING HEX NUT	M8	1			07 12 9 964 675			
15	NUT HOLDER		4			18 12 2 310 405			

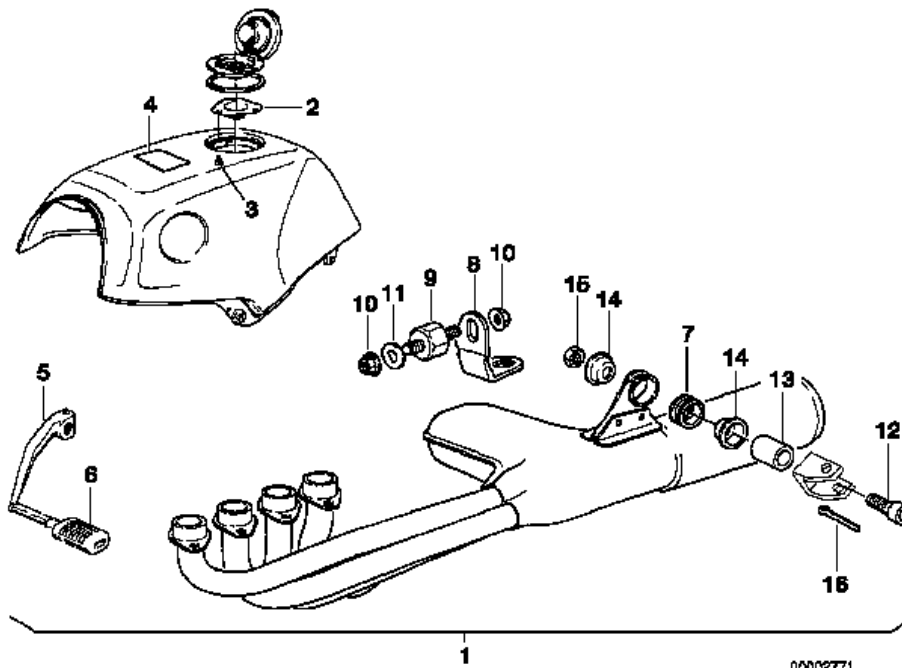
Diagrams 18_0273 EXHAUST PIPES
 Series: K100-K100LT..83-91



00002758

No.	Description	Supplement	Qty	From	Up To	Part Number	AT	R	TI
1	GASKET RING								
1	GASKET RING	C32X40	4		07/00	11 62 1 464 061	AE		
1	GASKET RING	C32X40	4			11 62 7 662 083			
2	PRESSURE PLATE		4			11 62 1 460 087			
3	HEX NUT	M8	8			11 62 1 744 323			
4	EXHAUST PIPES	1	1			18 11 1 451 384			
5	EXHAUST PIPES	2	1			18 11 1 451 385			
6	EXHAUST PIPES	3	1			18 11 1 451 386			
7	EXHAUST PIPES	4	1			18 11 1 451 387			
8	CLAMP								
8	CLAMP	1+3	2			18 21 1 451 315			
8	CLAMP	2+4	2			18 21 1 451 359			
9	SCREW		4			18 21 1 454 136			

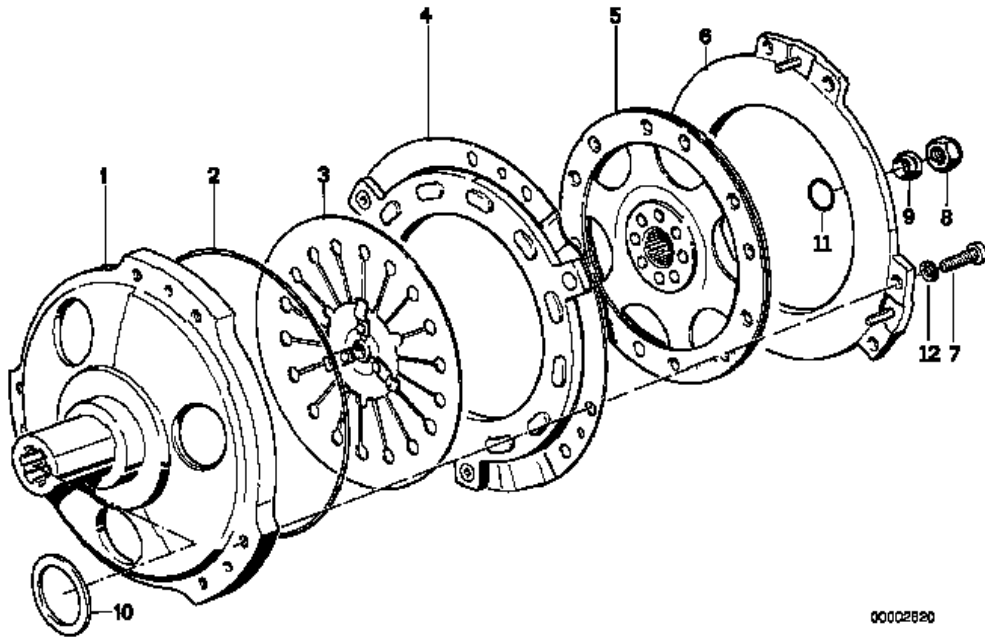
Diagrams 18_0289 SET OF MOUNTING PARTS F EXHAUST SYSTEM
 Series: K100-K100LT..83-91



00002771

No.	Description	Supplement	Qty	From	Up To	Part Number	AT	R	TI
1	SET OF PARTS F CATALYST AND EXHAUST								
1	SET OF PARTS F CATALYST AND EXHAUST ONLY IN CONJUNCTION WITH		1	09/85		18 12 1 340 921			
--	MODIFICATION KIT F SAFETY BAR, CATALYST	CR	1	09/85		46 71 2 316 572	E		
--	MOUNTING PARTS SET F ENGINE SPOILER,CAT.		1	09/85		46 63 2 316 477	E		
--	SILENCER, CATALYTIC CONVERTER		1	09/85		18 12 1 464 529		1	
2	INTERMEDIATE PLATE	KAT	1	09/85		16 11 2 309 404			
3	SELF TAPPING SCREW	M4X8	3	09/85		07 11 9 918 519			
4	LABEL "UNLEADED FUEL"		1	09/85		51 14 2 121 497			
5	SHIFT LEVER		1	09/85		23 31 1 464 225		1	
6	BUSHING		1	09/85		23 31 1 451 767			
7	GROMMET		1	09/85		18 21 1 461 922			
8	SUPPORT		1	09/85		18 21 1 464 152			
9	ABSORBER		1	09/85		18 12 1 464 754			T
10	NUT	M8	2	09/85		18 21 1 464 095			
11	INSULATING WASHER		1	09/85		18 21 1 464 168			
12	FILLISTER-HEAD SCREW	M10X60	1	09/85		07 11 9 901 107			
13	BUSH	29MM	1	09/85		18 12 1 464 528			
14	FLAT WASHER		2	09/85		18 21 1 461 923			
15	HEX NUT	M10	1	09/85		07 11 9 922 857			
16	SPLIT PIN	2X16	1	09/85		07 11 9 945 076			

Diagrams 21_0073 CLUTCH
Series: K100-K100LT..83-91

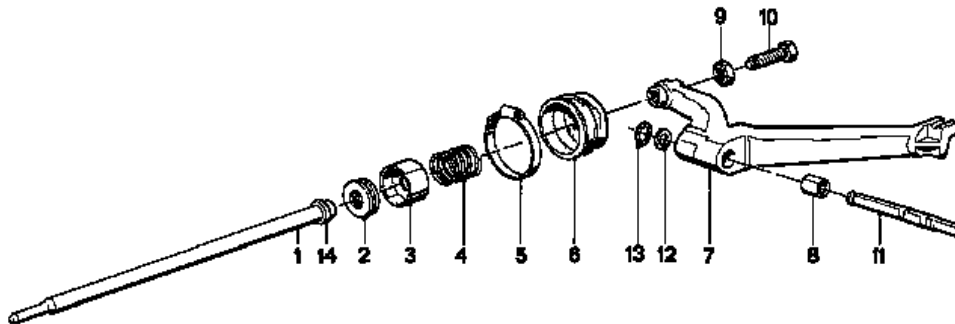


0002820

No.	Description	Supplement	Qty	From	Up To	Part Number	AT	R	TI
1	CLUTCH HOUSING		1			21 21 1 450 899		1	
2	SPACER RING		1			21 21 1 451 274			
3	DIAPHRAGM SPRING		1			21 21 1 451 269		1	
4	PRESSURE PLATE		1			21 21 1 464 570		1	
5	CLUTCH PLATE		1			21 21 1 464 795		1	
6	HOUSING COVER		1			21 21 2 333 472		1	
7	SCREW		6			21 21 1 454 417			
8	HEX NUT	M20X1,5	1			11 21 1 460 797			
9	COMPRESSION RING		1			11 21 1 460 696			
10	STOP DISK								
10	STOP DISK	1MM	1			11 21 1 460 873			
10	STOP DISK	1,25MM	1			11 21 1 461 813			
11	O-RING	19X4	1			11 21 1 460 456			
12	WASHER	A7,4	6			21 21 1 242 377			

Diagrams 21_0074 CLUTCH CONTROL

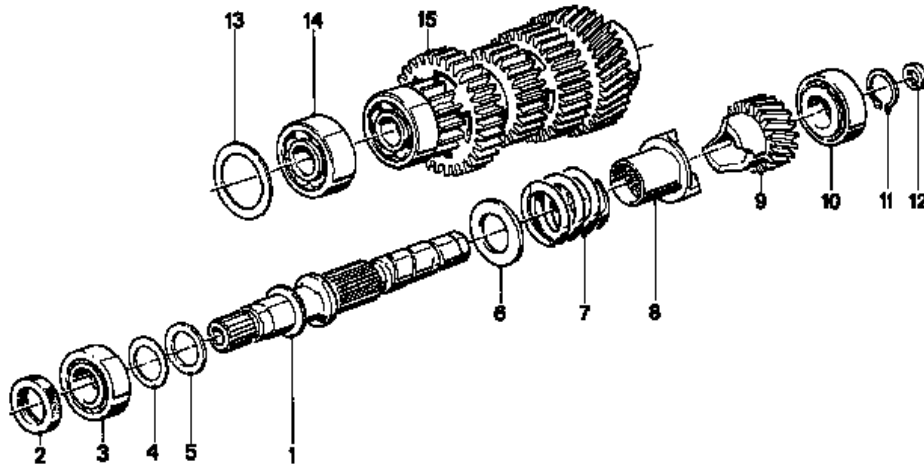
Series: K100-K100LT..83-91



00002521

No.	Description	Supplement	Qty	From	Up To	Part Number	AT	R	TI
1	ROD		1			23 13 1 451 120		1	
2	GROOVED BALL BEARING	511 00	1		06/88	07 11 9 984 020			
3	PISTON		1			23 13 1 464 167		1	
4	SPRING		1			23 13 1 241 849			
5	CLAMP	D=40	1			23 13 1 241 872			
6	CUP		1			23 13 1 338 731			
7	CLUTCH LEVER		1			23 13 1 451 122		1	
8	NEEDLE SLEEVE	12X8X10	2			23 13 1 451 147			
9	HEX NUT	M8	1			07 11 9 921 104			
10	ADJUSTING SCREW	M8X37	1			23 13 1 341 765			
11	PIN		1			23 13 1 451 124			
12	SPACER RING	8X14X1,2	2			07 11 9 932 663			
13	LOCK RING	8X0,8	2			07 11 9 934 034			
14	BUSH		1		06/88	23 13 1 239 891	E		

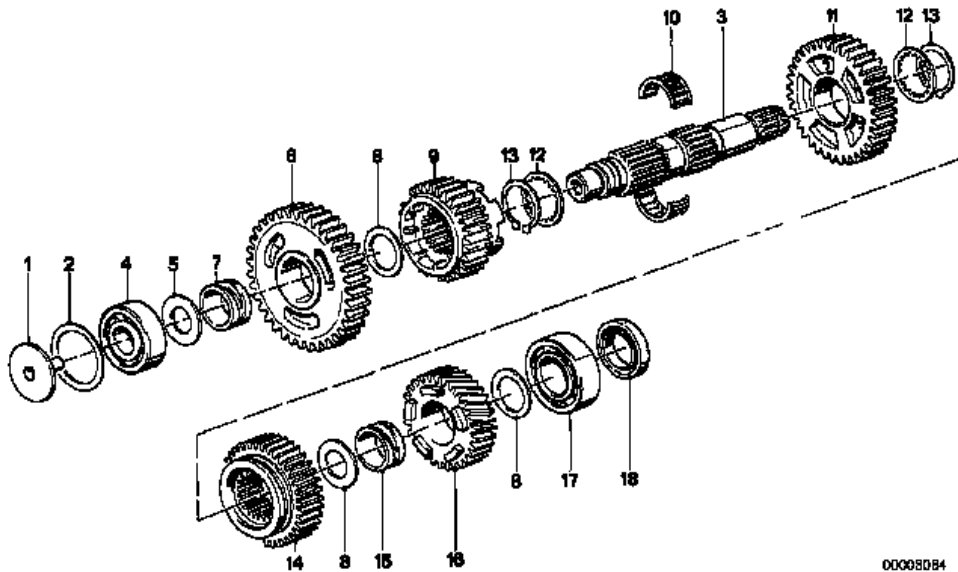
Diagrams 23_0273 5 SPEED TRANSMISSION-DRIVE SHAFT
Series: K100-K100LT..83-91



0008088

No.	Description	Supplement	Qty	From	Up To	Part Number	AT	R	TI
1	DRIVE SHAFT		1			23 21 1 457 060		1	
2	SHAFT SEAL	22X35X7	1			23 12 1 451 151			
3	TAPERED ROLLER BEARING	45,24X16,64X22	1			23 12 1 451 160		1	
4	SPACER RING								
4	SPACER RING	22X30XD,3	1			23 21 1 451 141			
4	SPACER RING	22X30XD,4	1			23 21 1 451 142			
4	SPACER RING	22X30XD,5	1			23 21 1 451 143			
5	SPACER RING								
5	SPACER RING	22X30X1,5	1			23 31 1 451 047			
5	SPACER RING	22X30X1,48	1			23 31 1 451 048			
5	SPACER RING	22X30X1,46	1			23 31 1 451 049			
5	SPACER RING	22X30X1,44	1			23 31 1 451 050			
5	SPACER RING	22X30X1,42	1			23 31 1 451 051			
6	FLAT WASHER		1			23 21 1 451 036			
7	COMPRESSION SPRING		1			23 21 1 451 037			
8	THRUST ADAPTER		1			23 21 1 451 038			
9	GEAR WHEEL		1			23 21 1 451 039			1
10	TAPERED ROLLER BEARING	45X19,05X15,5	1			23 12 1 451 158		1	
11	LOCK RING	A19X1,5	1			23 21 1 451 097			
12	SHAFT SEAL	9X15X4	1			23 21 1 451 159			
13	SPACER RING								
13	SPACER RING	37X47XD,35	1			23 11 1 341 431			
13	SPACER RING	37X47XD,45	1			23 11 1 341 432			
13	SPACER RING	37X47XD,55	1			23 11 1 341 433			
13	SPACER RING	37X47XD,30	1			23 11 1 451 138			
13	SPACER RING	37X47XD,40	1			23 11 1 451 139			
13	SPACER RING	37X47XD,50	1			23 11 1 451 140			
14	GROOVED BALL BEARING	17X47X14	2			23 12 1 451 163		1	
15	INTERMEDIATE SHAFT		1			23 21 1 464 358		1	

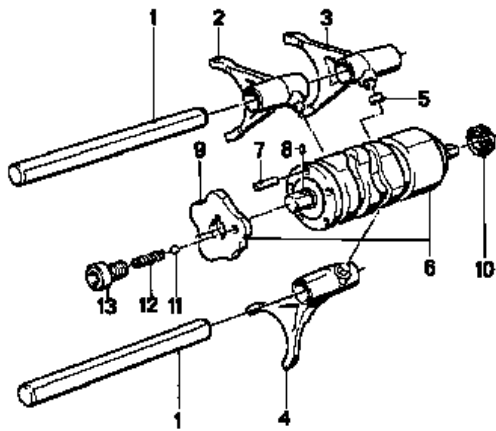
Diagrams 23_0274 5 SPEED TRANSMISSION-OUTPUT SHAFT
Series: K100-K100LT..83-91



0008084

No.	Description	Supplement	Qty	From	Up To	Part Number	AT	R	TI
1	OIL GUIDE		1			23 11 1 451 014			
2	SPACER RING								
2	SPACER RING	37X47X0,35	1			23 11 1 341 431			
2	SPACER RING	37X47X0,45	1			23 11 1 341 432			
2	SPACER RING	37X47X0,55	1			23 11 1 341 433			
2	SPACER RING	37X47X0,30	1			23 11 1 451 138			
2	SPACER RING	37X47X0,40	1			23 11 1 451 139			
2	SPACER RING	37X47X0,50	1			23 11 1 451 140			
3	OUTPUT SHAFT		1			23 21 1 457 195		1	
4	GROOVED BALL BEARING	47X20X14	1			23 12 1 451 164		1	
5	SPACER RING		1			23 21 1 451 145			
6	GEAR WHEEL 1ST GEAR		1			23 21 1 451 079		1	
7	BUSH		1			23 21 1 451 078			
8	SPACER RING								
8	SPACER RING	25X35X2,0	3			23 21 1 451 144			
8	SPACER RING	25X35X1,9	1			23 21 1 451 902			
8	SPACER RING	25X35X1,8	1			23 21 1 451 903			
8	SPACER RING	25X35X1,7	1			23 21 1 451 904			
8	SPACER RING	25X35X1,6	1			23 21 1 451 905			
9	GEAR WHEEL 4TH GEAR		1			23 21 1 451 077		1	
10	NEEDLE CAGE	27X33X17	1			23 31 1 451 898			
11	GEAR WHEEL 2ND GEAR		1			23 21 1 451 071		1	
12	FLAT WASHER		2			23 21 1 451 072			
13	LOCK RING	31X1,5	2			23 21 1 451 154			
14	GEAR WHEEL 3RD GEAR		1			23 21 1 451 073		1	
15	BUSH		1			23 21 1 451 074			
16	GEAR WHEEL 5TH GEAR		1			23 21 1 451 075		1	
17	GROOVED BALL BEARING	25X52X15	1			23 12 1 451 900		1	
18	SHAFT SEAL	25X40X7	1			23 12 1 451 152			

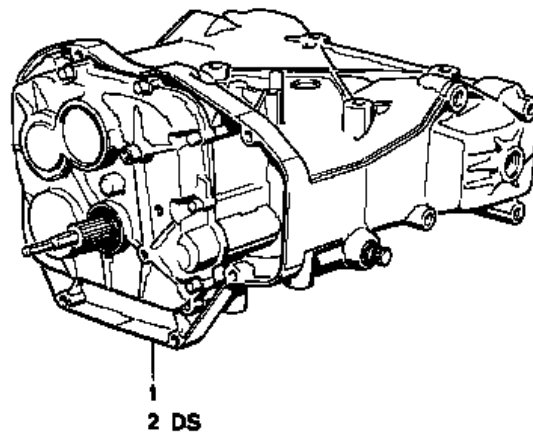
Diagrams 23_0275 5-SPEED TRANSMISSION - GEARSHIFT
 Series: K100-K100LT..83-91



0008085

No.	Description	Supplement	Qty	From	Up To	Part Number	AT	R	TI
1	AXLE		2			23 31 1 451 113		1	
2	SHIFTING FORK 1ST AND 2ND GEAR		1			23 31 1 451 115		1	
3	SHIFTING FORK 5ST GEAR		1			23 31 1 451 117		1	
4	SHIFTING FORK 3RD AND 4TH GEAR		1			23 31 1 451 116		1	
5	ROLL PIN		3			23 31 1 451 114		1	
6	SHIFTING ROLL		1			23 31 1 451 100		1	
7	ROLL PIN	B4X15,8	5			07 11 9 986 744			
8	ANTI RATTLE PIN	3X6	1			07 11 9 943 211			
9	STEP PLATE		1			23 31 1 451 104			
10	SHAFT SEAL	10X18X6	1			23 12 1 451 157			
11	BALL	6MM III	1			07 11 9 986 270			
12	COIL SPRING		1			23 31 1 451 118			
13	PHILLISTER-HEAD SCREW		1			23 31 1 451 119			

Diagrams 23_0271 5 SPEED TRANSMISSION
 Series: K100-K100LT..83-91

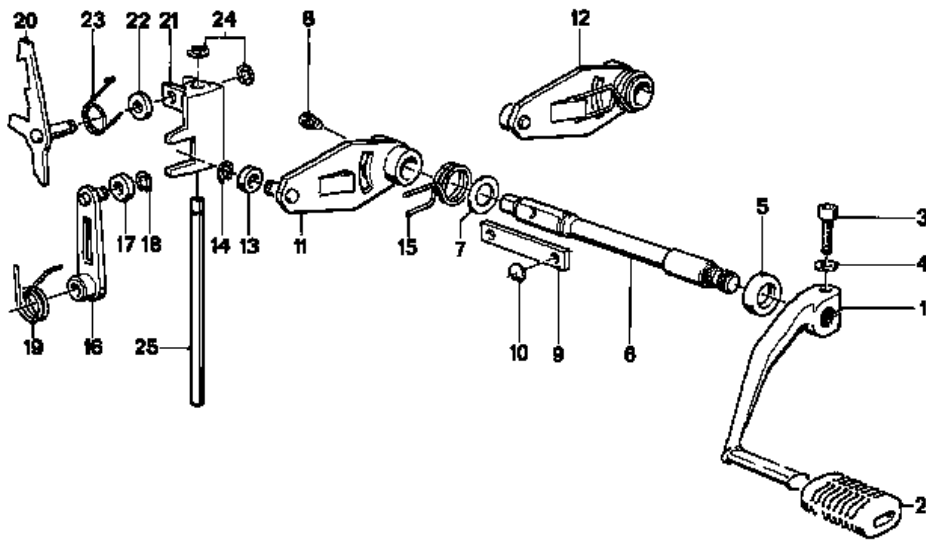


0008081

No.	Description	Supplement	Qty	From	Up To	Part Number	AT	R	TI
1	AT-5 SPEED GEARBOX		1			23 00 1 451 770		1	
2	GASKET SET FIVE SPEED GEARBOX		1			23 00 1 464 048			

Diagrams 23_0276 5-SPEED TRANSMISSION SHIFTING PARTS

Series: K100-K100LT..83-91

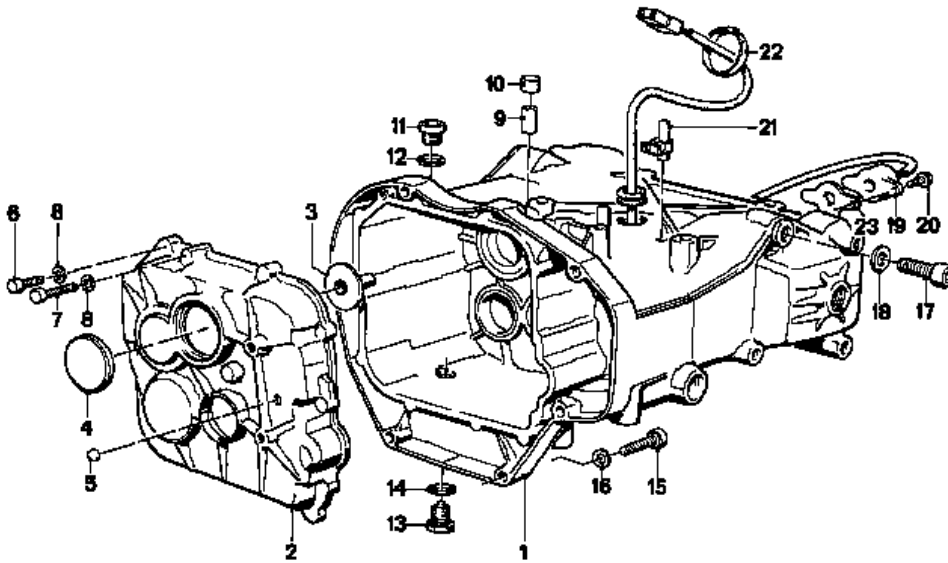


0008088

No.	Description	Supplement	Qty	From	Up To	Part Number	AT	R	TI
1	SHIFT LEVER		1			23 31 1 464 225		1	
2	BUSHING		1			23 31 1 451 767			
3	FILLISTER-HEAD SCREW	M6X25	1			07 11 9 919 926			
4	WAVE WASHER	B6	1			07 11 9 932 099			
5	SHAFT SEAL	16X24X6,5	1			23 12 1 451 156			
6	SELECTOR SHAFT		1			23 31 1 451 089		1	
7	SPACER RING		1			23 31 1 451 090			
8	SCREW		1			23 31 1 451 091			
9	STOPPER		1			23 31 1 451 092			
10	CIRCLIP	5	2			07 11 9 932 831			
11	LEVER		1			23 31 1 451 082	AE		
12	LEVER		1			23 31 1 458 028		1	
13	ROLL PIN		1			23 31 1 451 087			
14	LOCK RING	8x0,8	1			07 11 9 934 035			
15	SPRING		1			23 31 1 451 088			
16	LEVER		1			23 31 1 458 029			
17	ROLL PIN		1			23 31 1 451 087			
18	LOCK RING	8x0,8	2			07 11 9 934 035			
19	SPRING		1			23 13 1 451 099			
20	PAWL		1			23 31 1 451 106			
21	SHIFT		1			23 31 1 451 109		1	
22	SPACER RING		1			23 31 1 451 110			
23	SPRING		1			23 31 1 451 111			
24	CIRCLIP	6,0	2			07 11 9 932 841			
25	ROD		1			23 31 1 451 112			

Diagrams 23_0272 TRANSMISS.HOUSING/MOUNTING PARTS/GASKETS

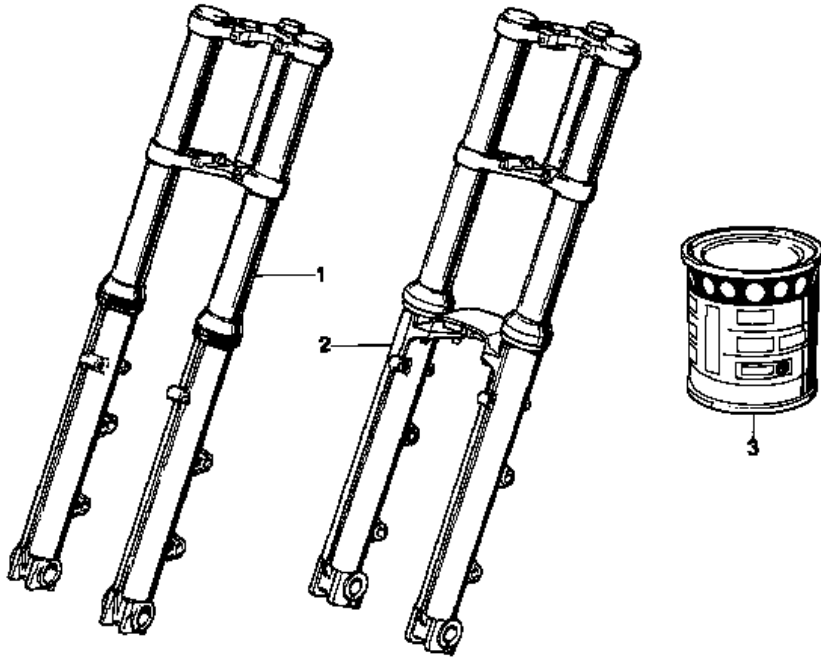
Series: K100-K100LT..83-91



0008082

No.	Description	Supplement	Qty	From	Up To	Part Number	AT	R	TI
1	TRANSMISSION HOUSING		1			23 11 1 451 004		1	
2	HOUSING COVER		1			23 11 1 451 009		1	
3	OIL GUIDE		1			23 11 1 451 014			
4	SEALING COVER		1			23 11 1 451 017			
5	COVER LID	D=8MM	1			07 11 9 937 205			
6	FILLISTER-HEAD SCREW	M6X25-ZNS	9			07 11 9 919 625			
7	FILLISTER-HEAD SCREW	M6X40	1			07 11 9 919 936			
8	WAVE WASHER	B6	X			07 11 9 932 099			
9	SLEEVE		1			23 11 1 451 548			
10	CAP		1			23 11 1 451 549			
11	SCREW PLUG	M18X1,5-ZNS	1			07 11 9 919 143			
12	GASKET RING	A18X22	1			07 11 9 963 300			
13	SCREW PLUG	M14X1,5	1			11 13 1 744 329			
14	GASKET RING	A14X18-AL	1			07 11 9 963 200			
15	FILLISTER-HEAD SCREW	M8X45	6			07 11 9 901 033			
16	FLAT WASHER	8,4	6			07 11 9 931 697			
17	FILLISTER-HEAD SCREW	M10X35	2			07 11 9 901 064			
18	FLAT WASHER								
18	FLAT WASHER	10,5	2		07/91	07 11 9 931 649	AE		
18	FLAT WASHER	10,5	2			07 11 9 931 698			
19	SWITCH	GETRIEBE	1	12/86		61 31 1 459 593		1	
20	HEX BOLT	M4X12	2			23 00 1 459 653			
21	CLAMP		1			61 31 1 459 043			
22	CABLE STRAP	L=200MM/B=3,6	1			61 13 1 367 599			
23	GASKET		1			23 11 1 464 014			

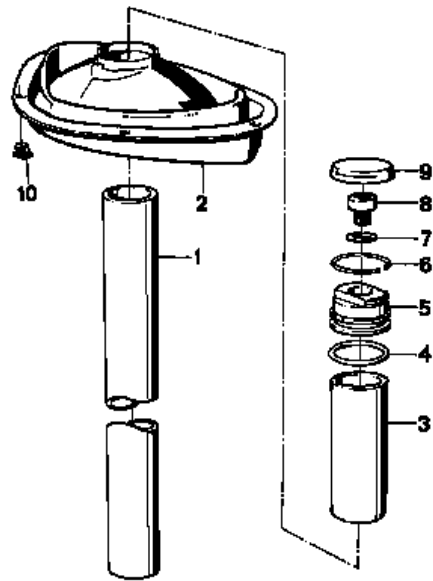
Diagrams 31_0357 TELESCOPE-FORK
Series: K100-K100LT..83-91



00008828

No.	Description	Supplement	Qty	From	Up To	Part Number	AT	R	TI
1	TELESCOPE-FORK		1			31 42 1 451 723	E	1	
3	HYDRAULIC OIL								
3	HYDRAULIC OIL	2500ML	X			31 42 9 060 537			T
3	HYDRAULIC OIL	1000ML	X			31 42 9 062 158			T
3	HYDRAULIC OIL	4000ML	X			31 42 9 062 159	AE		T
3	HYDRAULIC OIL	5000ML	X			31 42 7 652 283			T

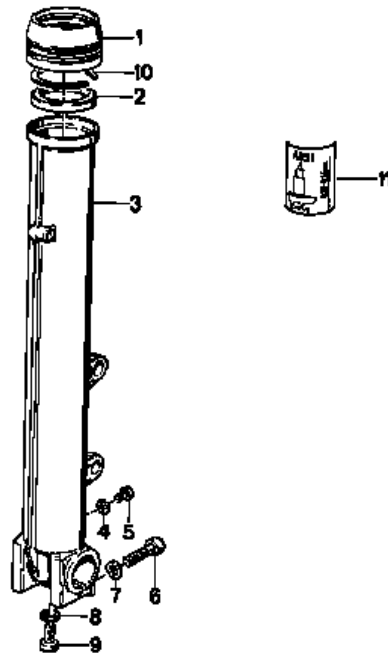
Diagrams 31_0358 TELESCOPIC FORK TUBE
Series: K100-K100LT..83.91



0008827

No.	Description	Supplement	Qty	From	Up To	Part Number	AT	R	TI
1	STANCHION		2			31 42 1 450 534		1	
3	SPACER TUBE		2			31 42 1 450 529			
4	O-RING	30X3	2			31 42 1 450 532			
5	SPRING RETAINER		2			31 42 1 450 531			
6	SNAP RING		2			31 42 1 450 543			
7	GASKET RING	A10X13,5-AL	2			07 11 9 963 073			
8	FILLISTER-HEAD SCREW	M10X12	2			07 11 9 919 662			
9	COVER		2			31 42 1 450 544			

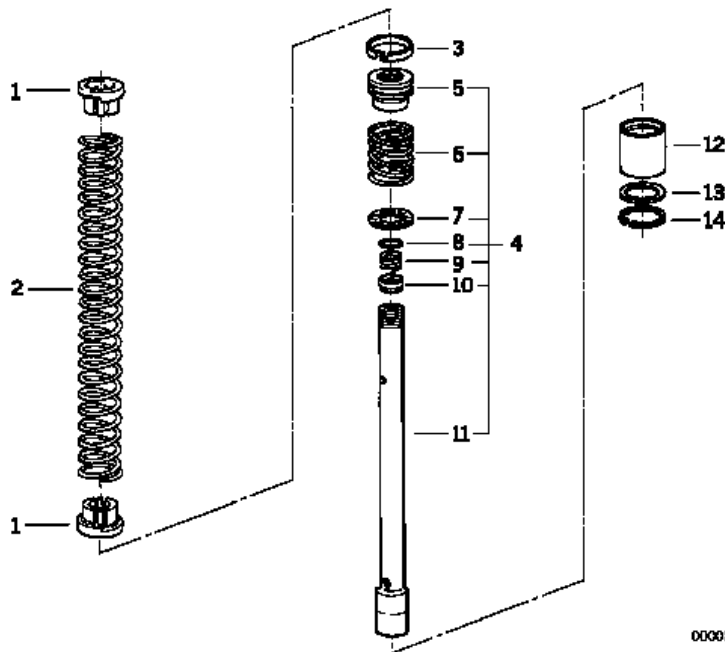
Diagrams 31_0372 TELESCOPE FORK SLIDE TUBE
Series: K100-K100LT..83-91



0008842

No.	Description	Supplement	Qty	From	Up To	Part Number	AT	R	TI
1	CUP		2			31 42 1 451 829			
2	GASKET RING								
2	GASKET RING		2			31 42 1 454 049	AE		
2	GASKET RING		2			31 42 1 450 127			
--	ONLY IN CONJUNCTION WITH SPACER RING		2			31 42 1 458 327			
3	LEFT FORK SLIDER								
	NOT SUITABLE FOR								
3	LEFT FORK SLIDER	SCHWARZ	1	09/85		31 42 1 454 969		1	
3	RIGHT FORK SLIDER	SCHWARZ	1	09/85		31 42 1 454 970		1	
	ONLY APPLIES TO								
--	STABILIZER	SW	X	09/85		31 42 1 454 321			
4	GASKET RING	A6X10	2			07 11 9 963 030			
5	HEX BOLT	M6X6	2			07 11 9 913 408			
6	FILLISTER-HEAD SCREW	M8X35	4			07 11 9 918 859			
7	FLAT WASHER	8,4	4			07 11 9 931 697			
8	GASKET RING	A8X11,5-AL	2			07 11 9 963 041			
9	FILLISTER-HEAD SCREW	M8X20	2			07 11 9 919 759			

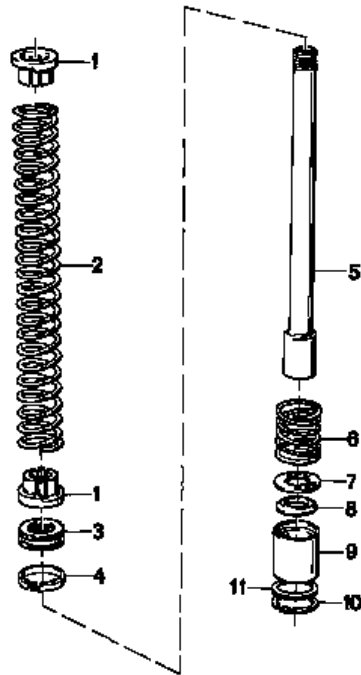
Diagrams 31_0365 TELESCOPE-FORK-ABSORBER
 Series: K100-K100LT..83.91



0008885

No.	Description	Supplement	Qty	From	Up To	Part Number	AT	R	TI
	FG* 09/85								
1	SPRING RETAINER		8			31 42 1 450 539			
2	COMPRESSION SPRING		2			31 42 1 450 533	AE		
2	COMPRESSION SPRING		4			31 42 1 457 904			
2	COMPRESSION SPRING		2			31 42 1 450 517			
3	GUIDE RING		2			31 42 1 454 615			
4	ABSORBER		2			31 42 1 450 515			
5	PISTON		2			31 42 1 451 701			
6	COMPRESSION SPRING		2			31 42 1 450 535			
7	VALVE WASHER		2			31 42 1 452 011			
8	GASKET RING	18X3,5	4			31 42 1 232 057			
9	COIL SPRING		2			31 42 1 454 620			
10	VALVE		2			31 42 1 454 616			
11	PIPE		2			31 42 1 454 621			
12	VALVE HOUSING		2						
13	SPACER RING	25X36X1,6	2			07 11 9 932 661			
13	SPACER RING	25X36X1,7	2			07 11 9 932 706			
13	SPACER RING	25X36X1,8	2			07 11 9 932 707			
13	SPACER RING	25X36X1,9	2			07 11 9 932 708			
13	SPACER RING	25X36X2,0	2			07 11 9 932 709			
14	LOCK RING	36X1,5	2			07 11 9 934 681			

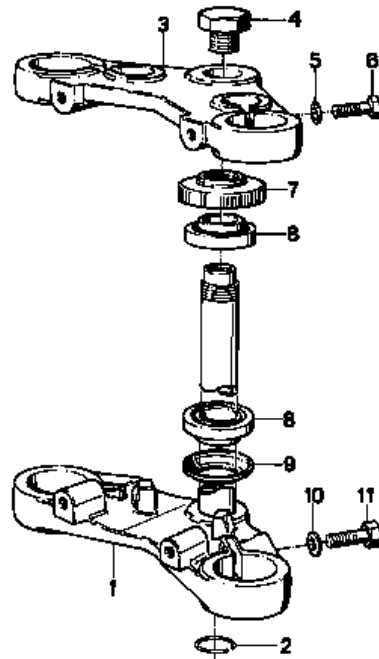
Diagrams 31_0359 TELESCOPE-FORK-ABSORBER
 Series: K100-K100LT..83-91



00008828

No.	Description	Supplement	Qty	From	Up To	Part Number	AT	R	TI
	*FG 09/85								
1	SPRING RETAINER		8			31 42 1 450 539			
2	COMPRESSION SPRING		2			31 42 1 450 533	AE		
2	COMPRESSION SPRING		4			31 42 1 457 904			
2	COMPRESSION SPRING		2			31 42 1 450 515			
3	PISTON		2			31 42 1 450 517			
4	GUIDE RING		2			31 42 1 454 616			
5	PIPE		2			31 42 1 451 701			
6	COMPRESSION SPRING		2			31 42 1 450 535			
7	VALVE WASHER		2			31 42 1 450 538			
8	VALVE WASHER		2			31 42 1 450 536			
9	VALVE HOUSING		2			07 11 9 934 681			
10	LOCK RING	36X1,5	2						
11	SPACER RING		2			07 11 9 932 639			
11	SPACER RING	25X36X0,1	2			07 11 9 932 695			
11	SPACER RING	25X36X0,3	2						

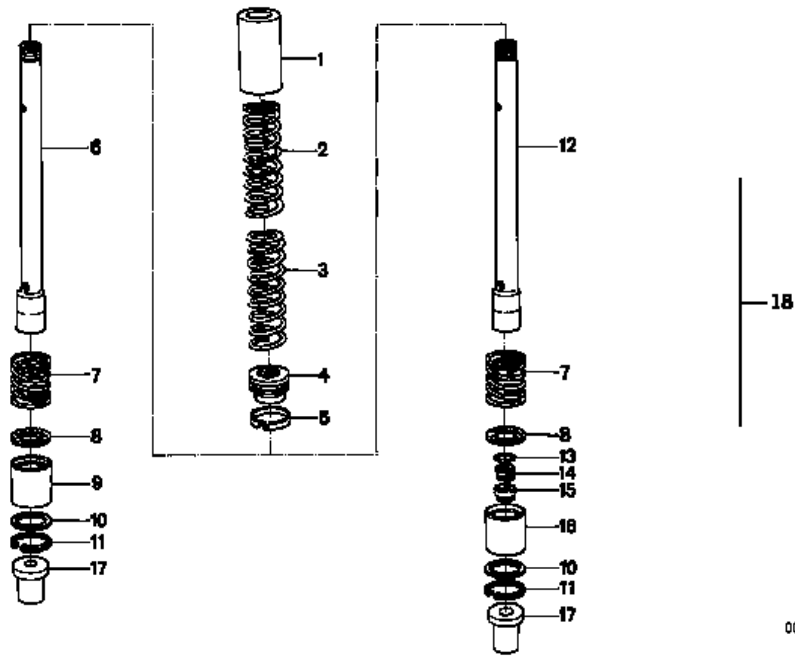
Diagrams 31_0366 TELESCOPE-FORK-FORK HEAD LOWER/UPPER
Series: K100-K100LT..83-91



00008888

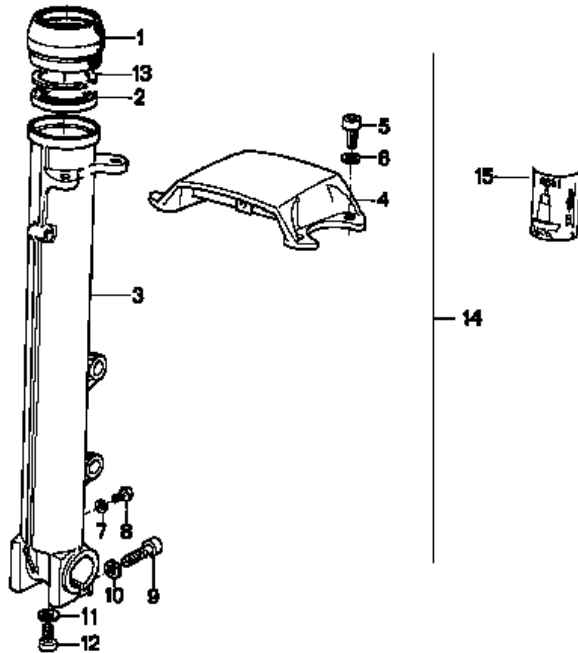
No.	Description	Supplement	Qty	From	Up To	Part Number	AT	R	TI
	*FG K75C 0 113 804 / K75C USA 0 130 5 52								
1	LOWER FORK BRIDGE		1			31 42 1 450 506			
2	SNAP RING	A28	1			07 11 9 933 533			
3	UPPER FORK BRIDGE		1			31 42 1 451 456			
4	SCREW		1			31 42 1 450 763			
5	FLAT WASHER	8,4	2			07 11 9 931 697			
6	FILLISTER-HEAD SCREW	M8X50	2			07 11 9 901 034			
7	KNIRLED NUT		1			31 42 1 237 244			
8	TAPERED ROLLER BEARING	28X52X16MM	2			07 11 9 985 070		1	
9	RING		1			31 42 1 234 509			
10	FLAT WASHER		2						
10	FLAT WASHER	10,5	2		07/91	07 11 9 931 649	AE		
10	FLAT WASHER	10,5	2			07 11 9 931 698			
11	FILLISTER-HEAD SCREW	M10X50	2			07 11 9 919 722			

Diagrams 31_0369 TELESCOPE-FORK-ABSORBER-SPORT
 Series: K100-K100LT..83-91



No.	Description	Supplement	Qty	From	Up To	Part Number	AT	R	TI
	FG* K100RS (SPORT) SPORT SUSPENSION								
18	RETROFIT KIT, SPORTS SUSPENSION		1	07/85		31 42 9 058 286	E		

Diagrams 31_0368 TELESCOPE-FORK-SLIDE TUBE-SPORT
 Series: K100-K100LT..83-91

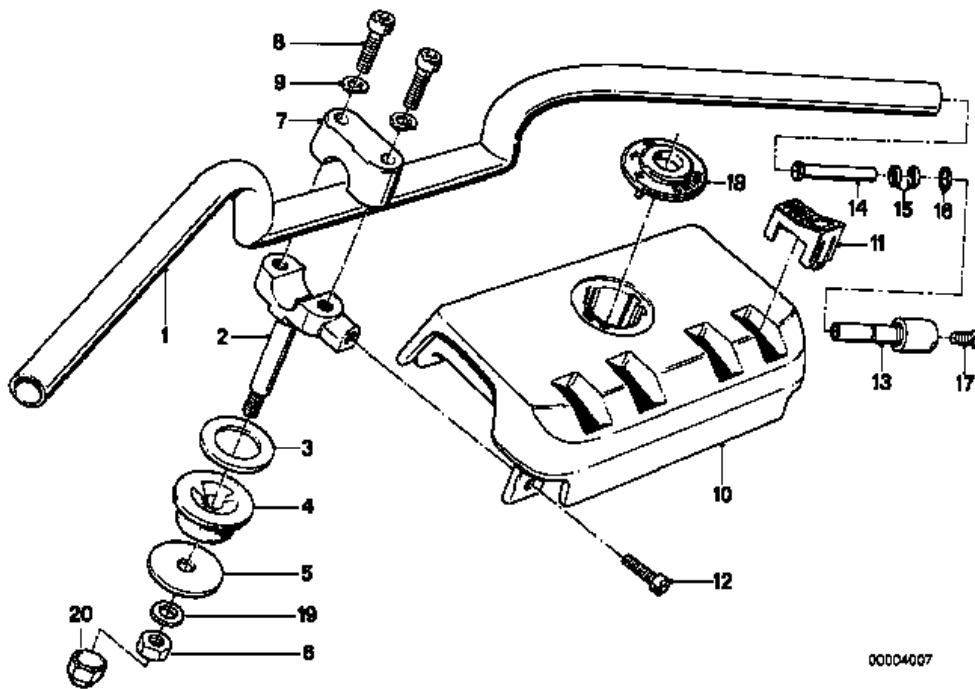


00008888

No.	Description	Supplement	Qty	From	Up To	Part Number	AT	R	TI
	FG* K100RS (621)PERLMUTT FG* K100RS (SPORT)								
2	GASKET RING								
2	GASKET RING ONLY IN CONJUNCTION WITH SPACER RING		2			31 42 1 450 127			
--			2			31 42 1 458 327			
14	INSTALLING SET STABILIZER								
14	INSTALLING SET STABILIZER ONLY IN CONJUNCTION WITH FRONT MUDGUARD, PRIMED REAR		1			31 42 9 058 285		1	
--	FRONT MUDGUARD, PRIMED FRONT		1			46 61 1 453 967			
--			1			46 61 2 309 731			

Diagrams 32_0762 HANDLEBAR

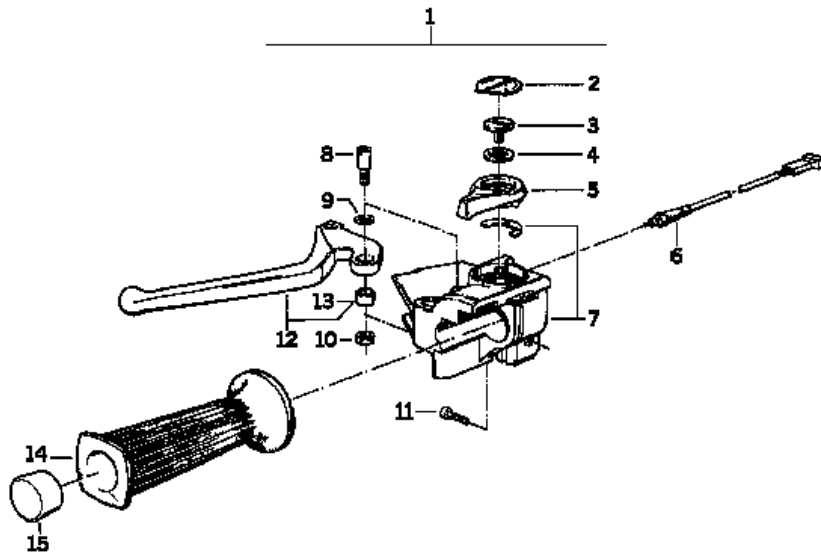
Series: K100-K100LT..83-91



00004007

No.	Description	Supplement	Qty	From	Up To	Part Number	AT	R	TI
1	HANDLEBAR BOARD HIGH								
1	HANDLEBAR BOARD HIGH	SW	1			32 71 1 453 028	AE		
1	HANDLEBAR BOARD HIGH	SW	1			32 71 2 308 086		1	
2	CLAMPING SUPPORT, BOTTOM		2			32 71 2 308 045			
3	SPACER RING		2			32 71 1 451 682			
4	ABSORBING PIECE		4			32 71 2 307 364			
5	SPACER RING		2			32 71 1 451 683			
6	SELF-LOCKING HEX NUT	M8	2			07 12 9 964 675			
7	CLAMPING SUPPORT, TOP		2			32 71 1 453 159			
8	FILLISTER-HEAD SCREW	M8X35-SW	4			07 11 9 920 059			
9	WAVE WASHER	B8	4			07 11 9 932 121			
10	HUB CAP		1			32 71 1 459 317		1	
11	COVERING CAP		4			32 71 1 459 318			
12	FILLISTER-HEAD SCREW	M6X10	2			07 11 9 919 792			
13	BALANCE WEIGHT	15,5MM	2	08/83		32 71 1 453 246			
14	PIPE	15,5MM	2	08/83		32 71 1 453 245			
15	O-RING	10X3	4	08/83		32 71 1 453 247			
16	O-RING	12X1,5	2	08/83		32 71 1 453 248			
17	COUNTERSUNK HEAD SCREW	8X25	2			32 71 2 307 608			
18	STEP PLATE		1			61 32 1 459 319			
19	FLAT WASHER	A8,4-ZNS	2			07 11 9 931 019			
20	CAP	M8	2			46 51 1 234 785			

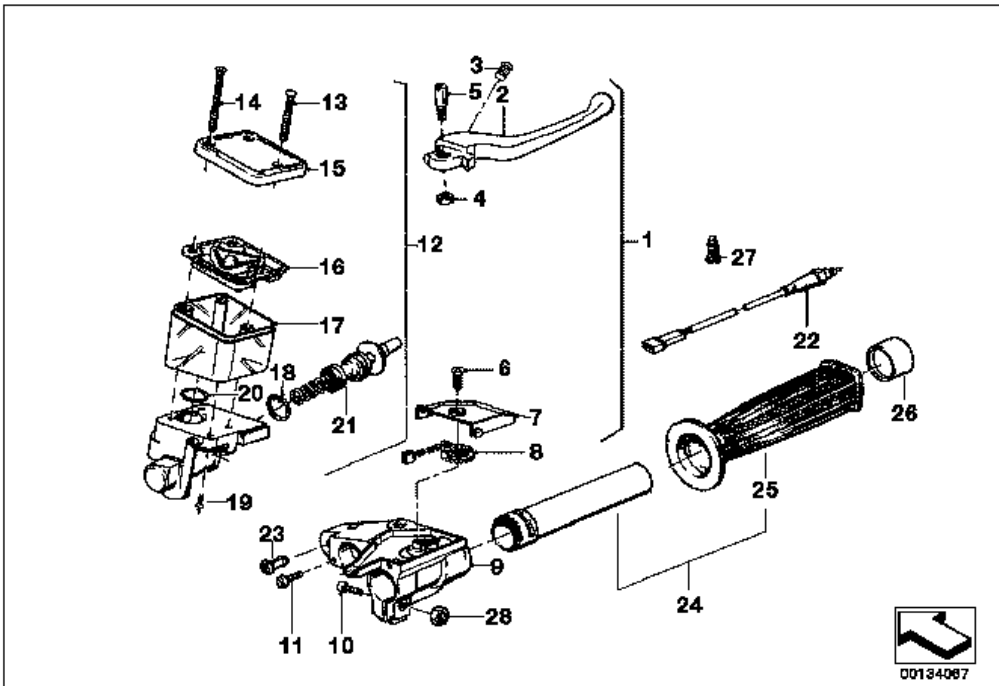
Diagrams 32_0763 HANDLE UNIT LEFT
 Series: K100-K100LT..83-91



00004008

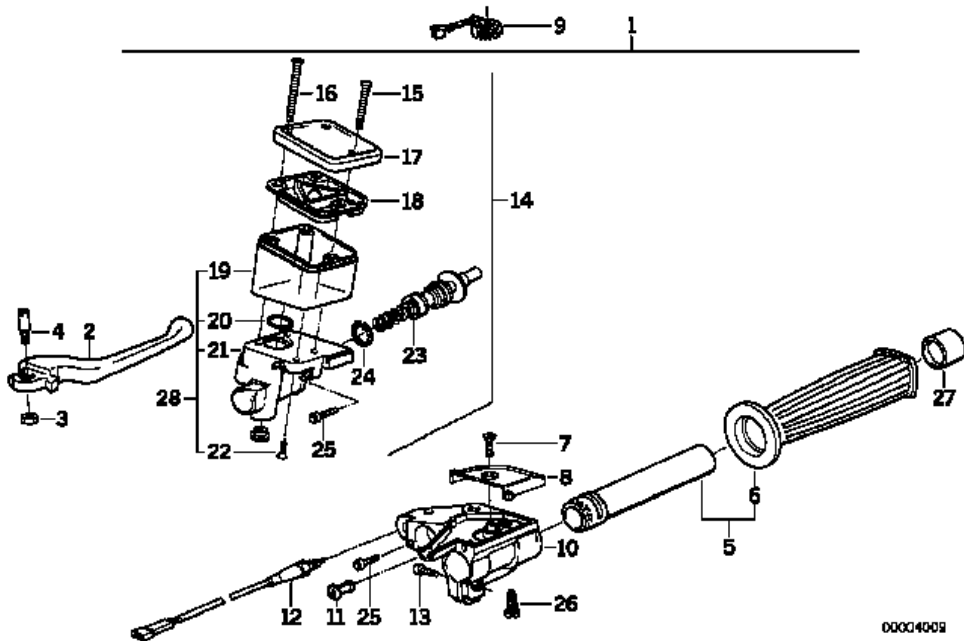
No.	Description	Supplement	Qty	From	Up To	Part Number	AT	R	TI
1	HANDLE UNIT LEFT		1			32 72 1 457 069		1	
2	CAP		1			32 72 1 451 975			
3	SAUCER-HEAD SCREW	M6X12	1			07 11 9 907 430			
4	FLAT WASHER	S=1,2MM	1			32 72 1 240 791			
5	LEVER		1			32 72 1 240 792		1	
6	SWITCH		1			61 31 1 459 569		1	
7	HOUSING		1			32 72 1 457 963		1	
8	SCREW		1			32 72 1 451 749			
9	WAVE WASHER		1			32 72 1 230 871			
10	NUT		1			32 72 1 238 382			
11	FILLISTER-HEAD SCREW	M5X16	1			61 31 2 322 412	E		
12	HAND LEVER LEFT	SCHWARZ	1			32 72 1 451 700			
13	BUSH		1			32 72 1 451 796			
14	FOAM RUBBER HANDLE LEFT		1			32 72 2 311 539	E		

Diagrams 32_0779 HANDLE UNIT, RIGHT
 Series: K100-K100LT..83-91



No.	Description	Supplement	Qty	From	Up To	Part Number	AT	R	TI
24	HANDLE TUBE								
	FOR VEHICLES WITH ANTI BLOCK SYSTEM (ABS)	= YES							
24	HANDLE TUBE		1			32 72 1 457 138	AE		
24	HANDLE TUBE/RIGHT FOAM RUBBER HANDLE		1			32 72 2 311 542		1	
	FOR VEHICLES WITH ANTI BLOCK SYSTEM (ABS)	= YES							
25	FOAM RUBBER HANDLE RIGHT		1			32 72 2 311 540	E		

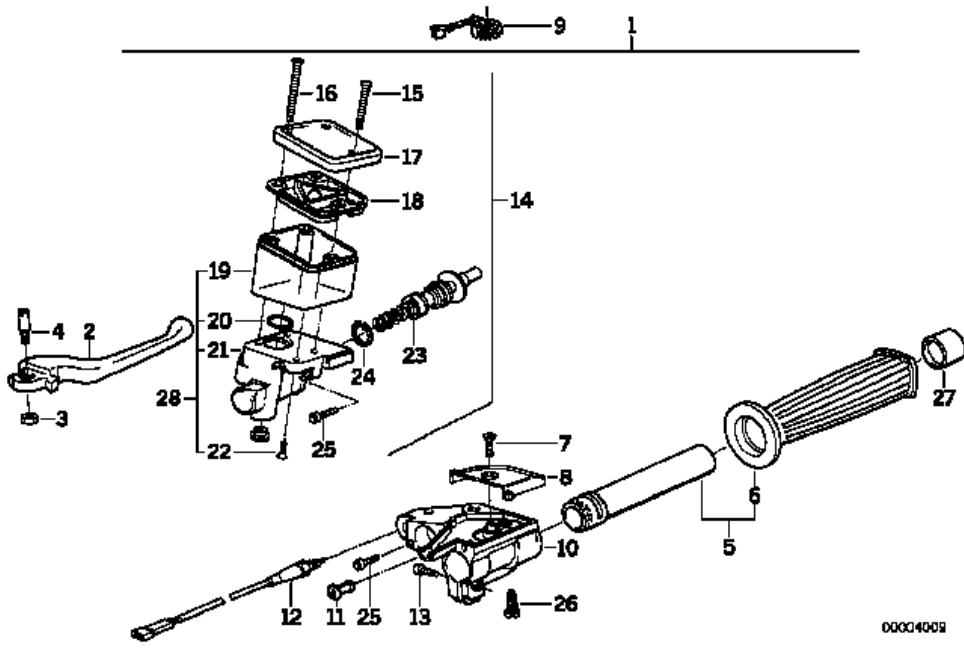
Diagrams 32_0764 HANDLE UNIT, RIGHT
 Series: K100-K100LT..83-91



00004009

No.	Description	Supplement	Qty	From	Up To	Part Number	AT	R	TI
1	HANDLE UNIT, RIGHT SEE SERVICE INFORMATION	D=13	1			32 72 2 310 742		1	I
2	HAND LEVER RIGHT	SW	1			32 72 1 457 058			
3	NUT		1			32 72 1 238 382			
4	SCREW		1			32 72 1 451 749			
5	HANDLE TUBE/RIGHT FOAM RUBBER HANDLE		1			32 72 2 311 538		1	
6	FOAM RUBBER HANDLE RIGHT		1			32 72 2 311 540	E		
7	SCREW		1			32 72 1 454 245			
8	COVER		1			32 72 1 451 738	AE		
8	COVER		1			32 72 1 457 037			
8	COVER ONLY IN CONJUNCTION WITH CAM DISC		1			32 72 1 457 036			
9	CAM DISC		1			32 72 1 457 036			
9	CAM DISC		1			32 72 1 451 736	E		
9	CAM DISC ONLY APPLIES TO		1			32 72 1 457 036			
10	HOUSING		1			32 72 1 451 734		1	
11	SUPPORT		1			32 72 1 451 622			
12	SWITCH		1			61 31 1 459 569		1	
13	FILLISTER-HEAD SCREW	M5X16	1			61 31 2 322 412	E		
14	CYLINDER WITH PISTON	D=13	1			32 72 2 310 786		1	I
15	COUNTERSUNK HEAD SCREW	M5X45	1			07 11 9 928 128			

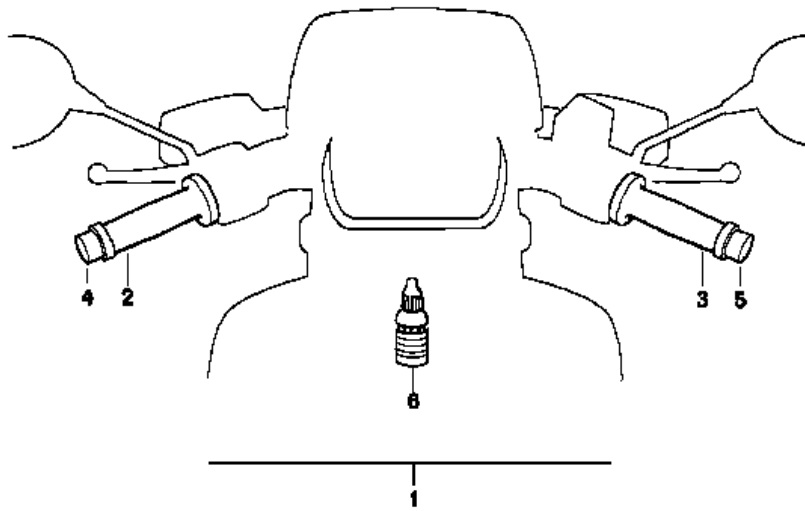
Diagrams 32_0764 HANDLE UNIT, RIGHT
 Series: K100-K100LT..83-91



00004009

No.	Description	Supplement	Qty	From	Up To	Part Number	AT	R	TI
8	COVER		1			32 72 1 451 738	AE		
8	COVER		1			32 72 1 457 037			
--	ONLY IN CONJUNCTION WITH CAM DISC		1			32 72 1 457 036			
9	CAM DISC		1			32 72 1 457 036			
9	CAM DISC		1			32 72 1 451 736	E		
9	CAM DISC		1			32 72 1 457 036			
	ONLY APPLIES TO								
10	HOUSING		1			32 72 1 451 734		1	
11	SUPPORT		1			32 72 1 451 622			
12	SWITCH		1			61 31 1 459 569		1	
13	FILLISTER-HEAD SCREW	M5X16	1			61 31 2 322 412	E		
14	CYLINDER WITH PISTON	D=13	1			32 72 2 310 786		1	I
15	COUNTERSUNK HEAD SCREW	M5X45	1			07 11 9 928 128			
16	COUNTERSUNK HEAD SCREW	M5X55	2			07 11 9 928 129			
17	COVER		1			32 72 1 454 944			
18	RUBBER BOOT		1			32 72 1 451 742			I
19	CONTAINER		1			32 72 1 451 746			
20	O-RING		1			32 72 1 242 624			I
22	SCREW		1			32 72 1 242 625			
23	PISTON	D=13	1			32 72 2 302 356		1	I
24	LOCK RING	17X1	1			07 11 9 934 620			
25	FILLISTER-HEAD SCREW	M5X20	1			32 72 1 451 987			
26	LOCKING BOLT		1			32 72 1 454 414			
28	CYLINDER		1			32 72 1 451 745	E		

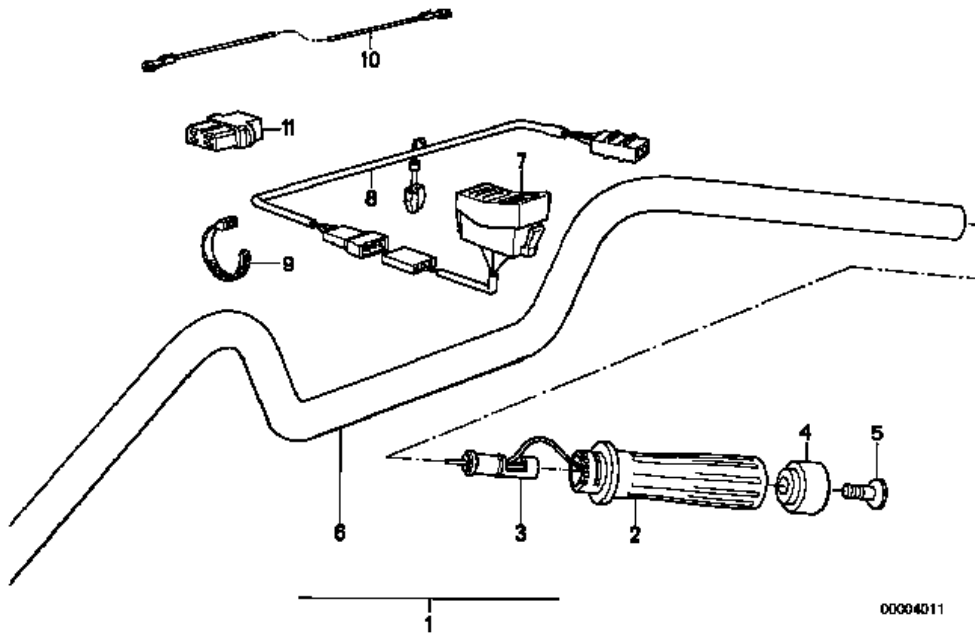
Diagrams 32_0910 EXPANDED-PLASTIC HANDLES
Series: K100-K100LT..83.91



00004029

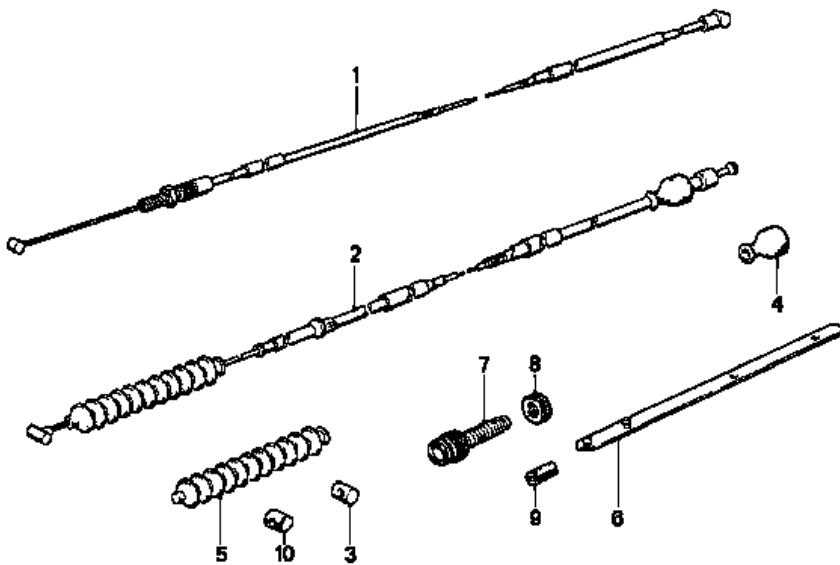
No.	Description	Supplement	Qty	From	Up To	Part Number	AT	R	TI
1	SET HANDLE ONLY IN CONJUNCTION WITH ADHESIVE	3GR	1	X		32 72 2 310 235	E		T
--						32 72 2 310 234			I
2	FOAM RUBBER HANDLE LEFT								
2	FOAM RUBBER HANDLE LEFT ONLY IN CONJUNCTION WITH ADHESIVE	3GR	1	X		32 72 2 311 539	E		
--						32 72 2 310 234			I
3	FOAM RUBBER HANDLE RIGHT								
3	FOAM RUBBER HANDLE RIGHT ONLY IN CONJUNCTION WITH ADHESIVE	3GR	1	X		32 72 2 311 540	E		
--						32 72 2 310 234			I
4	CAP LEFT								
4	CAP LEFT ONLY IN CONJUNCTION WITH ADHESIVE	3GR	1	X		32 72 1 457 399			
--						32 72 2 310 234			I
5	CAP RIGHT								
5	CAP RIGHT ONLY IN CONJUNCTION WITH ADHESIVE	3GR	1	X		32 72 1 457 396			
--						32 72 2 310 234			I
6	ADHESIVE	3GR	X	X		32 72 2 310 234		X	I

Diagrams 32_0766 RETROFIT KIT, HEATED HANDLE
 Series: K100-K100LT..83-91



No.	Description	Supplement	Qty	From	Up To	Part Number	AT	R	TI
1	RETROFIT KIT, HEATED HANDLE		1			61 31 2 300 380	E	1	T
2	HEATED HANDLE, LEFT								
2	HEATED HANDLE, LEFT		1			61 31 2 300 079		1	
2	HEATED HANDLE, RIGHT		1			61 31 2 300 080		1	
3	SLEEVE		2			61 31 2 300 084			T
4	BALANCE WEIGHT		2			61 31 2 300 082			
5	COUNTERSUNK HEAD SCREW	8X25	2			32 71 2 307 608			
6	HANDLEBAR	SW	1			32 71 2 300 085		1	
FOR VEHICLES WITH									
HEATED HANDLEBAR GRIPS X519A = YES									
7	SWITCH, HEATED HANDLEBAR GRIPS/HTD SEAT		1			61 31 1 459 234		1	
8	WIRING HEATED HANDLES		1			61 12 1 459 263			
9	CABLE STRAP	L=200MM/B=3,6	5			61 13 1 367 599			
10	TUBING		1			61 12 2 303 023		1	
11	PLUG CONNECTION FEMALE		1			61 13 1 361 706			

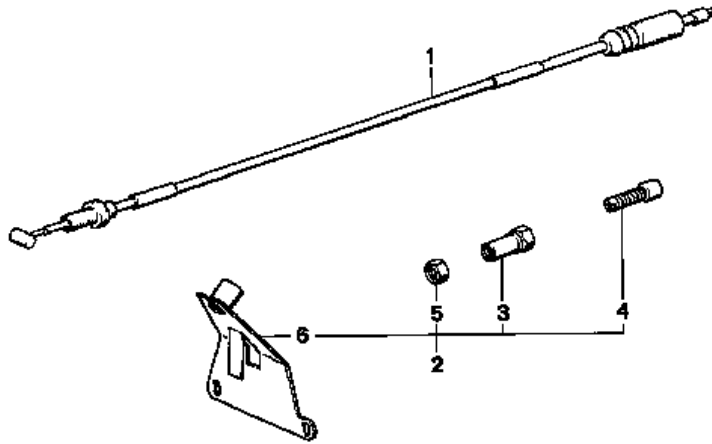
Diagrams 32_0765 BOWDEN CABLE
 Series: K100-K100LT..83-91



00004010

No.	Description	Supplement	Qty	From	Up To	Part Number	AT	R	TI
	FOR HANDLEBAR BOARD HIGH								
1	CHOKE CABLE		1			32 73 1 451 638		1	
2	CLUTCH CABLE	1625MM	1			32 73 2 324 960		1	
3	NIPPLE		1			07 11 9 988 505			
4	CUP		1			32 73 1 230 038			
5	CUP		1			35 41 1 117 638	AE		
5	CUP		1			32 73 2 325 866			
6	CABLE STRAP		1			32 73 1 451 809			
7	CABLE ADJUSTER		1			32 72 1 234 854			
8	KNURLED HEAD NUT		1			32 72 1 232 516			
9	FELTRING		1			32 72 1 231 610			
10	NIPPLE HOLDER	D=10MM	1			32 72 1 233 550			

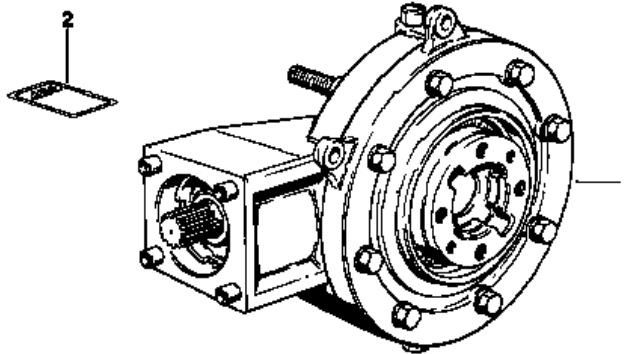
Diagrams 32_0773 BOWDEN CABLE
 Series: K100-K100LT..83-91



00004017

No.	Description	Supplement	Qty	From	Up To	Part Number	AT	R	TI
1	ACCELERATOR BOWDEN CABLE								
	FOR HANDLEBAR BOARD HIGH								
1	ACCELERATOR BOWDEN CABLE ONLY APPLIES TO		1		06/86	32 73 1 457 016	E	1	
--	HEX NUT		X		06/86	32 73 1 236 644			
--	BUSH		X		06/86	32 73 1 457 017			
--	ADJUSTER		X		06/86	32 73 1 457 101			
--	BRACKET		X		06/86	13 54 1 461 136			
2	RETROFIT KIT		1		06/86	32 73 1 457 401	E		
3	BUSH		1			32 73 1 457 017			
4	ADJUSTER		1			32 73 1 457 101			
5	HEX NUT		1			32 73 1 236 644			
6	BRACKET		1			13 54 1 461 136			

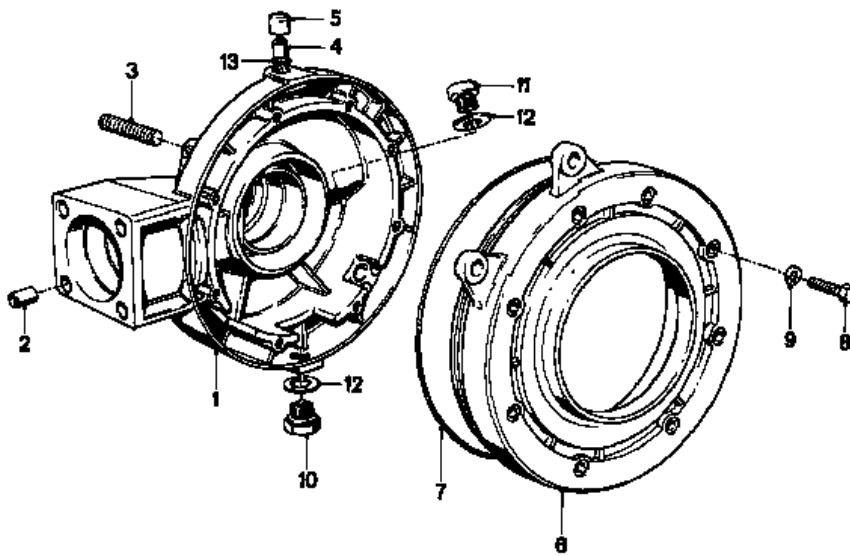
Diagrams 33_0636 FINAL DRIVE
Series: K100-K100LT..83-91



00004312

No.	Description	Supplement	Qty	From	Up To	Part Number	AT	R	TI
	ONLY APPLIES TO DISK BRAKE								
1	FINAL DRIVE								
1	FINAL DRIVE	I=33:11=3,0 Z16	1		02/86	33 11 1 450 953		1	
1	FINAL DRIVE	I=33:11=3,00	1	02/86		33 11 1 454 951		1	
	FG* K100 0 009 326 / K100RS 0 088 457 / K100RT 0 091 805 FG* K100 USA 0 031 519 / K100RS USA 0043235 / K100RT USA 0053958								
1	FINAL DRIVE	32:11=2,91 16Z	1		02/86	33 11 1 450 954		1	
1	FINAL DRIVE	I=32:11=2,91	1	02/86		33 11 1 454 952		1	

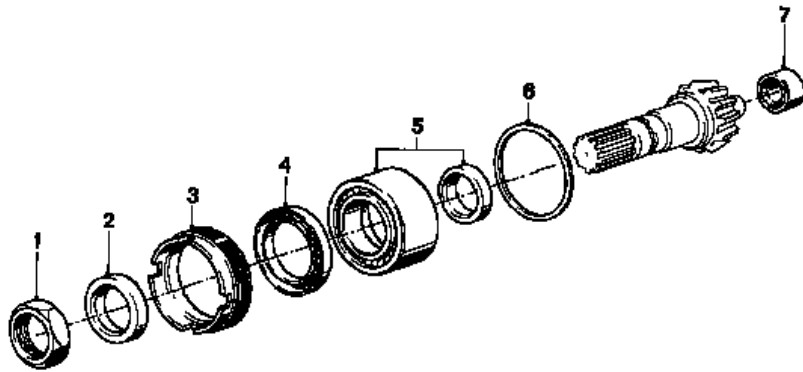
Diagrams 33_0637 DIFFERENTIAL-HOUSING/HOUSING COVER
Series: K100-K100LT..83-91



00004320

No.	Description	Supplement	Qty	From	Up To	Part Number	AT	R	TI
1	REAR DRIVE HOUSING		1			33 11 1 450 805		1	
2	DOWEL		2			33 11 1 241 260			
3	STUD BOLT	M12X60	1			07 12 9 908 096			
4	SLEEVE		1			23 11 1 451 548			
5	CAP		1			33 11 1 451 988			
6	HOUSING COVER		1						
6	HOUSING COVER	ALU 8X8	1		03/89	33 11 1 450 882	A	1	
6	HOUSING COVER	SW 8X8	1		03/89	33 11 1 457 433		1	
7	O-RING		1						
7	O-RING	171,1X2,62	1			33 11 1 451 182	ZE		
7	O-RING		1			33 11 1 241 257			
8	FILLISTER-HEAD SCREW								
8	FILLISTER-HEAD SCREW	M10X30	8			07 11 9 902 646			
8	FILLISTER-HEAD SCREW FG* K100 0 004 628/K100RS 0 012 889	M8X35	8	12/83		07 11 9 902 654			
9	FLAT WASHER								
9	FLAT WASHER	10,5	8			07 11 9 931 640			
9	FLAT WASHER FG* K100 0 004 628/K100RS 0 012 889	8,4	8	12/83		07 11 9 931 684			
10	SCREW PLUG	M14X1,5	1			11 13 1 744 329			
11	SCREW PLUG	M14X1,5	1			33 11 1 451 349			
12	GASKET RING	A14X18-AL	2			07 11 9 963 200			
13	O-RING		1			33 11 1 454 606			

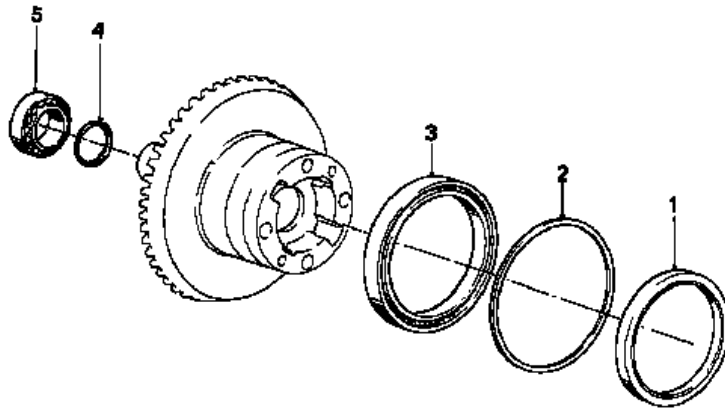
Diagrams 33_0638 BEVEL GEAR AND SPACER RINGS
Series: K100-K100LT..83-91



00004321

No.	Description	Supplement	Qty	From	Up To	Part Number	AT	R	TI
1	NUT		1			33 12 1 450 497			
2	COMPRESSION RING		1			33 12 1 450 095			
3	THREADED RING	M65X1,5	1			33 12 1 450 076			
4	SHAFT SEAL	35X47X7	1			33 11 1 451 185			
5	AX-BEARING	25X62X25,4	1			33 12 2 310 925		1	
6	SPACER RING								
6	SPACER RING	1,500MM	1			33 12 1 230 717			
6	SPACER RING	1,550MM	1			33 12 1 230 718			
6	SPACER RING	1,600MM	1			33 12 1 230 719			
6	SPACER RING	1,650MM	1			33 12 1 230 720			
6	SPACER RING	1,700MM	1			33 12 1 230 721			
6	SPACER RING	1,750MM	1			33 12 1 230 722			
6	SPACER RING	1,800MM	1			33 12 1 230 723			
6	SPACER RING	1,850MM	1			33 12 1 230 724			
6	SPACER RING	1,900MM	1			33 12 1 230 725			
6	SPACER RING	1,950MM	1			33 12 1 230 726			
6	SPACER RING	2,000MM	1			33 12 1 230 727			
6	SPACER RING	2,050MM	1			33 12 1 230 728			
6	SPACER RING	2,100MM	1			33 12 1 230 729			
6	SPACER RING	2,150MM	1			33 12 1 230 730			
6	SPACER RING	2,200MM	1			33 12 1 230 731			
6	SPACER RING	2,250MM	1			33 12 1 230 732			
6	SPACER RING	2,300MM	1			33 12 1 230 733			
6	SPACER RING	2,350MM	1			33 12 1 230 734			
6	SPACER RING	2,400MM	1			33 12 1 230 735			
6	SPACER RING	2,450MM	1			33 12 1 230 736			
6	SPACER RING	2,500MM	1			33 12 1 230 737			
7	NEEDLE SLEEVE	15X30X18	1			33 12 1 236 995			

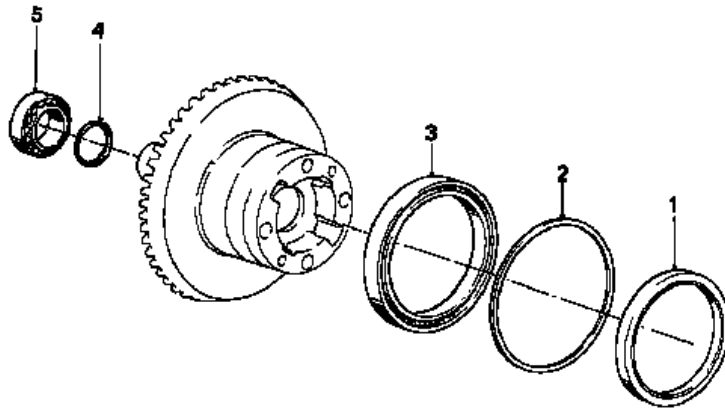
Diagrams 33_0639 CROWNGEAR AND SPACER RINGS
 Series: K100-K100LT..83.91



00004322

No.	Description	Supplement	Qty	From	Up To	Part Number	AT	R	TI
1	SHAFT SEAL	85X110X10	1			33 12 1 241 938			
2	SPACER RING								
2	SPACER RING	0,1	1			33 12 2 310 544			
2	SPACER RING	0,15	1			33 12 2 310 545			
2	SPACER RING	0,2	1			33 12 2 310 546			
2	SPACER RING	0,3	1			33 12 2 310 547			
2	SPACER RING	0,4	1			33 12 2 310 548			
2	SPACER RING	0,5	1			33 12 2 310 549			
2	SPACER RING	0,6	1			33 12 2 310 550			
2	SPACER RING	0,7	1			33 12 2 310 551			
2	SPACER RING	0,8	1			33 12 2 310 552			
2	SPACER RING	0,9	1			33 12 2 310 553			
2	SPACER RING	1,0	1			33 12 2 310 554			
2	SPACER RING	1,1	1			33 12 2 310 555			
2	SPACER RING	1,2	1			33 12 2 310 556			
2	SPACER RING	1,3	1			33 12 2 310 557			
2	SPACER RING	1,4	1			33 12 2 310 558			
2	SPACER RING	1,5	1			33 12 2 310 559			
2	SPACER RING	1,6	1			33 12 2 310 560			
2	SPACER RING	1,7	1			33 12 2 310 561			
3	GROOVED BALL BEARING	85X120X18	1			33 12 1 242 210		1	
4	SPACER RING								
4	SPACER RING	1,95	1			33 12 1 454 403			
4	SPACER RING	2,00	1			33 12 1 454 404			
4	SPACER RING	2,05	1			33 12 1 454 405			
4	SPACER RING	2,10	1			33 12 1 454 406			
4	SPACER RING	2,15	1			33 12 1 454 407			
4	SPACER RING	2,20	1			33 12 1 450 082			
4	SPACER RING	2,25	1			33 12 1 450 083			
4	SPACER RING	2,30	1			33 12 1 450 084			

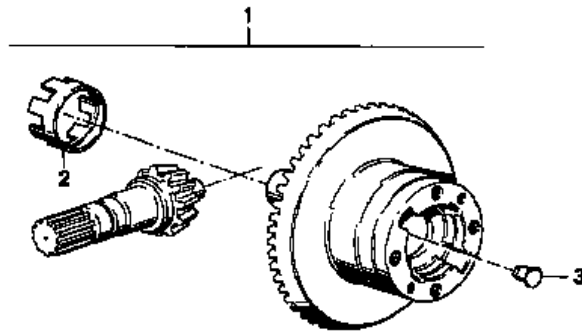
Diagrams 33_0639 CROWNGEAR AND SPACER RINGS
Series: K100-K100LT..83.91



00004322

No.	Description	Supplement	Qty	From	Up To	Part Number	AT	R	TI
2	SPACER RING	0,9	1			33 12 2 310 553			
2	SPACER RING	1,0	1			33 12 2 310 554			
2	SPACER RING	1,1	1			33 12 2 310 555			
2	SPACER RING	1,2	1			33 12 2 310 556			
2	SPACER RING	1,3	1			33 12 2 310 557			
2	SPACER RING	1,4	1			33 12 2 310 558			
2	SPACER RING	1,5	1			33 12 2 310 559			
2	SPACER RING	1,6	1			33 12 2 310 560			
2	SPACER RING	1,7	1			33 12 2 310 561			
3	GROOVED BALL BEARING	85X120X18	1			33 12 1 242 210		1	
4	SPACER RING								
4	SPACER RING	1,95	1			33 12 1 454 403			
4	SPACER RING	2,00	1			33 12 1 454 404			
4	SPACER RING	2,05	1			33 12 1 454 405			
4	SPACER RING	2,10	1			33 12 1 454 406			
4	SPACER RING	2,15	1			33 12 1 454 407			
4	SPACER RING	2,20	1			33 12 1 450 082			
4	SPACER RING	2,25	1			33 12 1 450 083			
4	SPACER RING	2,30	1			33 12 1 450 084			
4	SPACER RING	2,35	1			33 12 1 450 085			
4	SPACER RING	2,40	1			33 12 1 450 086			
4	SPACER RING	2,45	1			33 12 1 450 087			
4	SPACER RING	2,50	1			33 12 1 450 088			
4	SPACER RING	2,55	1			33 12 1 450 089			
4	SPACER RING	2,60	1			33 12 1 450 090			
4	SPACER RING	2,65	1			33 12 1 450 091			
4	SPACER RING	2,70	1			33 12 1 450 092			
4	SPACER RING	2,75	1			33 12 1 450 093			
4	SPACER RING	2,80	1			33 12 1 450 094			
5	TAPERED ROLLER BEARING	25X52X16,25	1			33 12 1 451 188		1	

Diagrams 33_0640 DIFFERENTIAL GEAR SET
Series: K100-K100LT..83-91

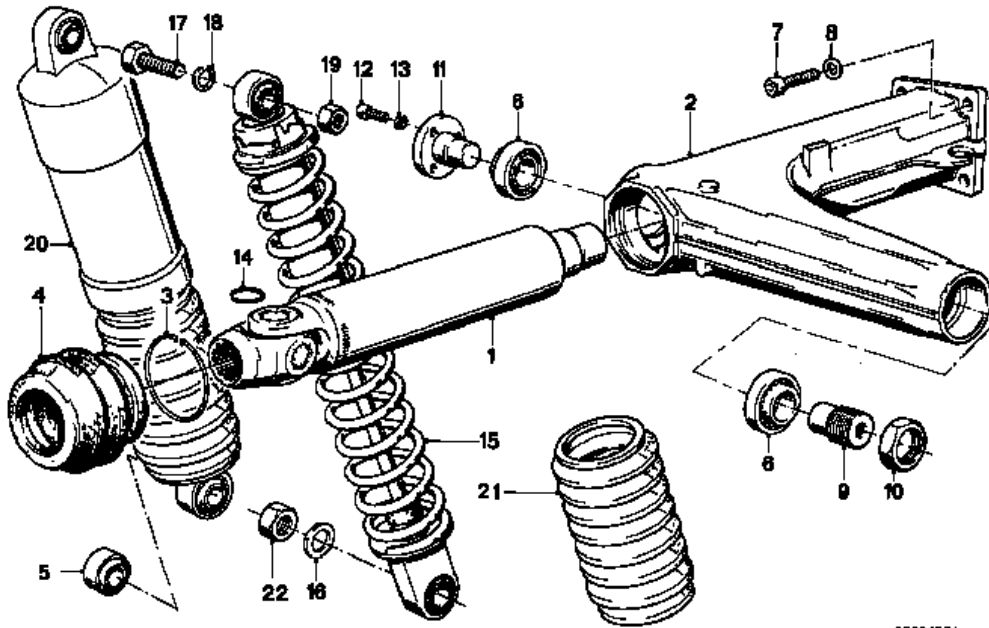


00004328

No.	Description	Supplement	Qty	From	Up To	Part Number	AT	R	TI
1	CROWNGEAR SET								
1	CROWNGEAR SET	I=33:11=3,00	1		02/86	33 12 1 451 711		1	
1	CROWNGEAR SET	I=33:11=3,00	1	02/86		33 12 1 454 236		1	
	FG* K100 0 009 326 / K100RS 0 088 457 / K100RT 0 091 805								
	FG* K100 USA 0 031 519 / K100RS USA 0043235 / K100RT USA 0053958								
1	CROWNGEAR SET	I=32:11=2,91	1		02/86	33 12 1 451 712		1	
1	CROWNGEAR SET	I=32:11=2,91	1	02/86		33 12 1 454 234		1	
2	IMPULSE SENDING WHEEL		1			33 12 1 451 181		1	
3	COVERING CAP		1			33 12 1 454 019			

Diagrams 33_0641 REAR WHEEL FORK MOUNTING PARTS

Series: K100-K100LT..83-91

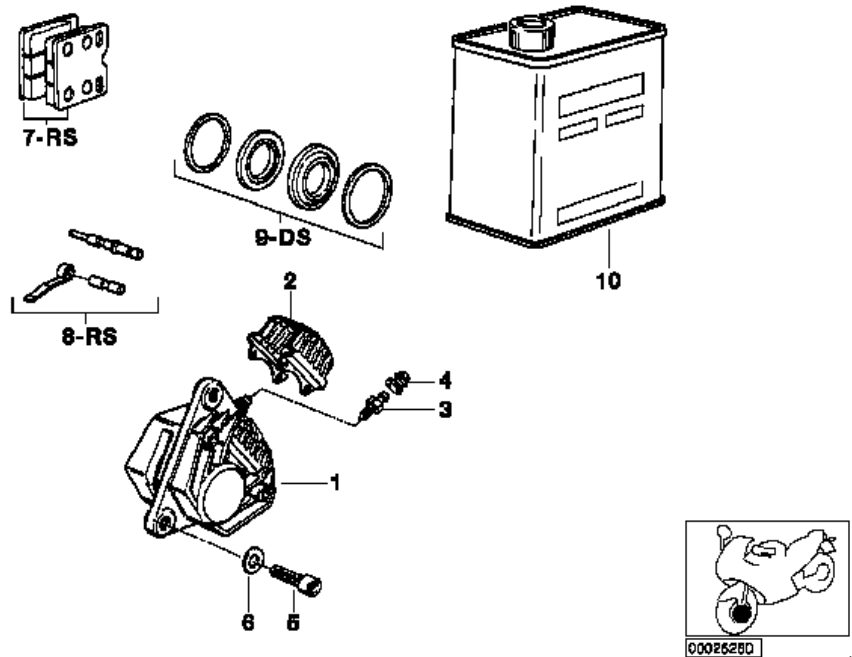


00004324

No.	Description	Supplement	Qty	From	Up To	Part Number	AT	R	TI
1	DRIVE SHAFT								
1	DRIVE SHAFT	Z 16	1		02/86	26 11 1 241 630		1	
1	DRIVE SHAFT FG* K100 0 009 326 / K100RS 0 088 457 / K100RT 0 091 805 FG* K100 USA 0 031 519 / K100RS USA 0 043 235 FG* K100RT USA 0 053 958	Z 20	1	02/86		26 11 1 454 063		1	
2	REAR WHEEL FORK		1			33 17 1 450 492			
3	SNAP RING		1			33 17 1 450 836			
4	RUBBER BOOT		1			33 17 1 454 552			
5	RUBBER MOUNTING		2			33 53 1 450 207			
6	TAPERED ROLLER BEARING	40X17X17	2			33 17 1 242 618	E	1	
7	FILLISTER-HEAD SCREW FG* K100 0 004 628/ K100RS 0 012 889	M10X45	4	12/83		07 11 9 901 088			
8	FLAT WASHER	10,5	4			33 17 1 451 567			
9	PIVOT PIN		1			33 17 1 450 494			
10	HEX NUT		1			33 53 3 054 174			
11	PIVOT PIN		1			33 17 2 311 068			
12	FILLISTER-HEAD SCREW	M6X16-ZNS	3			07 11 9 901 438			
13	WAVE WASHER	B6	3			07 11 9 932 099			
14	SNAP RING		1			26 11 1 451 977			
15	REAR SPRING STRUT		1			33 53 1 450 850		1	T
16	FLAT WASHER	A13	1			07 11 9 931 021			
17	HEX BOLT	M12X45	1			07 11 9 914 149			
18	WAVE WASHER	B12	2			07 11 9 932 123			
19	HEX NUT	M12	1			07 12 9 964 679			
20	LEVELLING DEVICE		1			33 53 1 450 856	E	1	
21	RUBBER BOOT		1			33 53 1 454 305			
22	HEX NUT	M12	1			07 11 9 922 849			

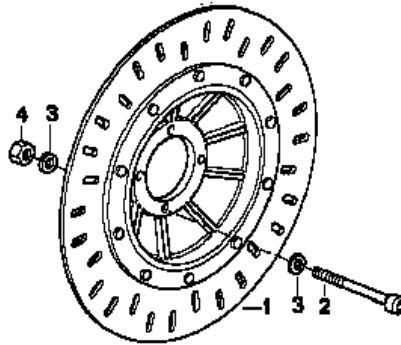
Diagrams 34_0618 FRONT BRAKE

Series: K100-K100LT..83-91



No.	Description	Supplement	Qty	From	Up To	Part Number	AT	R	TI
1	BRAKE CALIPER								
	CALIPER RIGHT								
1	BRAKE CALIPER	D=38	1		09/88	34 11 1 457 470		1	I
	CALIPER LEFT								
1	BRAKE CALIPER	D=38	1		09/88	34 11 1 450 755		1	I
2	COVERING CAP								
2	COVERING CAP	20 3254.20	2			34 11 1 454 120			
2	COVERING CAP	20 3254.32	2			34 11 1 454 653			
3	VENT SCREW	BREMBO	2			34 21 1 236 793			
4	DUST CAP		2			34 21 1 236 794			
5	FILLISTER-HEAD SCREW	M10X30	4			07 11 9 901 049			
6	FLAT WASHER	A10,5	4			07 11 9 931 020			
7	REPAIR KIT, BRAKE PADS		2		09/88	34 11 1 454 724		1	
8	SET MOUNTING PARTS		2			34 11 1 454 005			
9	REPAIR SET BRAKE CALIPER		2			34 11 2 310 493			I
10	BRAKE FLUID DOT4, LOW VISCOSITY								
10	BRAKE FLUID DOT4, LOW VISCOSITY	250 ML DOSE	X			83 13 0 139 895			I
10	BRAKE FLUID DOT4, LOW VISCOSITY	500 ML DOSE	X			83 13 0 139 896			I
10	BRAKE FLUID DOT4, LOW VISCOSITY	1000 ML DOSE	X			83 13 0 139 897			I
10	BRAKE FLUID DOT4, LOW VISCOSITY	5 L KANISTER	X			83 13 0 139 898			I

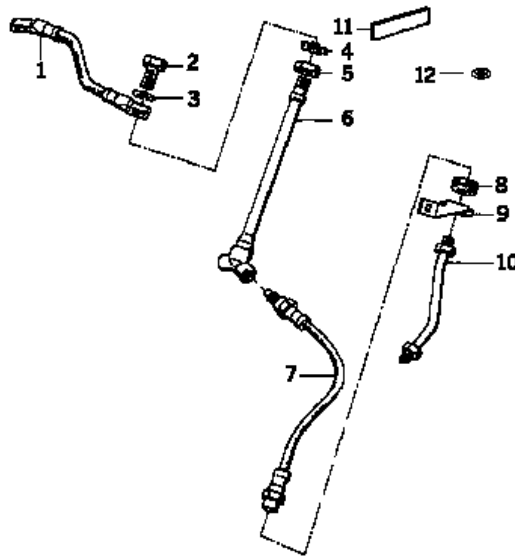
Diagrams 34_0655 FRONT BRAKE DISC
 Series: K100-K100LT..83-91



.00004708

No.	Description	Supplement	Qty	From	Up To	Part Number	AT	R	TI
1	BRAKE DISK BLACK								
1	BRAKE DISK BLACK		2			34 11 1 457 386		1	
1	LEFT FLOATING BRAKE DISC		1			34 11 2 316 069		1	
1	RIGHT FLOATING BRAKE DISC		1			34 11 2 316 070		1	
2	FILLISTER-HEAD SCREW	M10X100	4			07 11 9 901 114			
3	FLAT WASHER	10,5	8			07 11 9 931 698			
4	SELF-LOCKING HEX NUT	M10	4			07 12 9 964 676			

Diagrams 34_0656 FRONT BRAKE-BRAKE PIPE
 Series: K100-K100LT..83-91

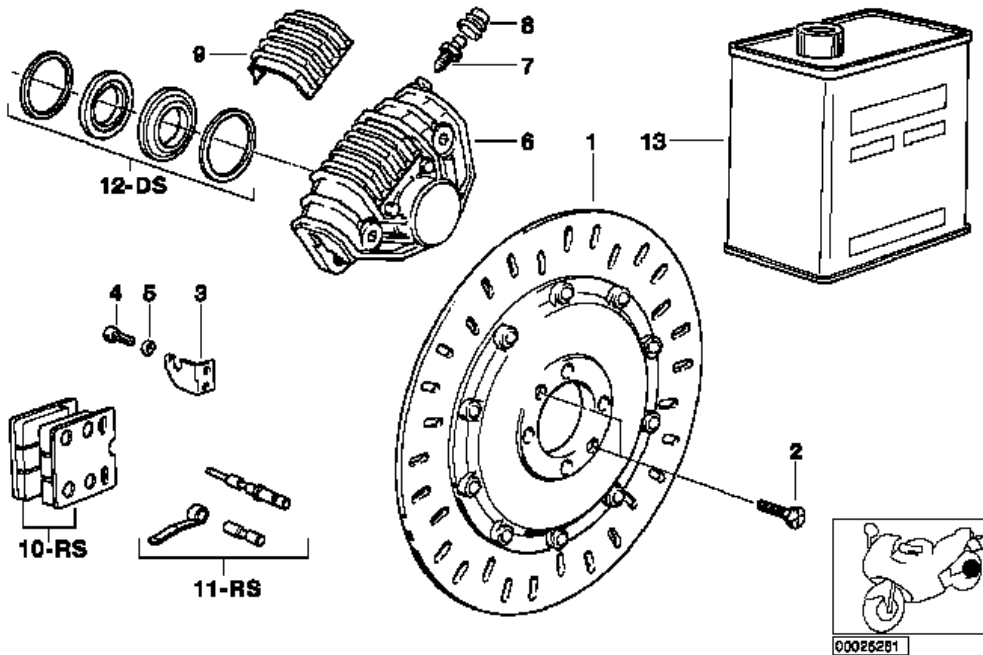


00004710

No.	Description	Supplement	Qty	From	Up To	Part Number	AT	R	TI
1	BRAKE HOSE								
1	BRAKE HOSE	249MM	1		09/91	34 32 1 451 571		1	I
1	BRAKE HOSE	217MM.	1			34 32 2 310 117			I
2	HOLLOW BOLT		2			34 32 1 242 205			
3	GASKET RING	A10X13,5-CU	4			07 11 9 963 072			
5	HEX NUT	M16X1,5	1			34 32 1 451 766			
6	DISTRIBUTION PIECE		1			34 32 1 457 298			
7	BRAKE HOSE	360MM	2			34 32 1 457 852		1	I
8	GROMMET		2			34 32 1 236 462			
9	HOSE CLAMP								
9	HOSE CLAMP	LINKS	1			34 32 1 450 761			
9	HOSE CLAMP	RECHTS	1			34 32 1 450 762			
10	BRAKE PIPE LEFT								
10	BRAKE PIPE LEFT		1			34 32 1 450 757			
10	BRAKE PIPE RIGHT		1			34 32 1 450 758			

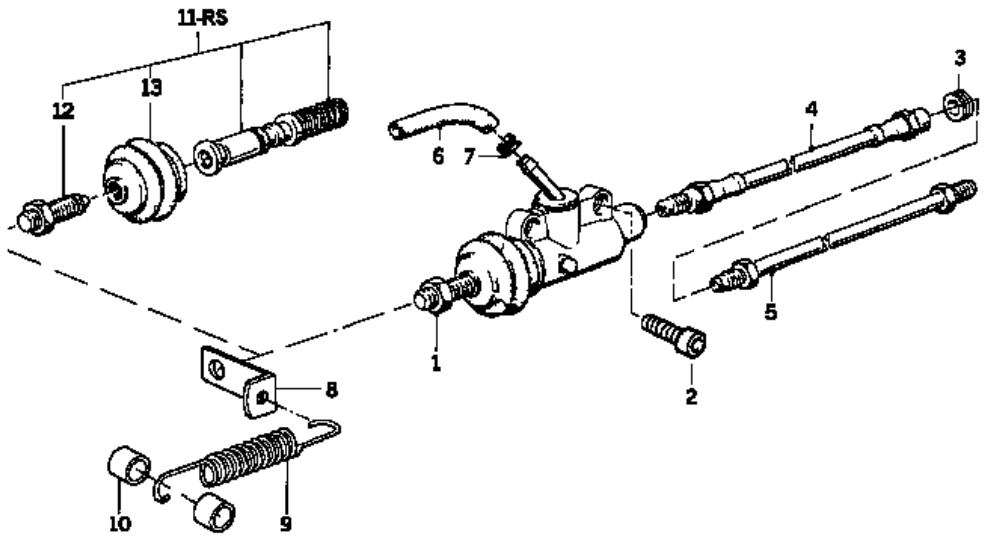
Diagrams 34_0619 REAR BRAKE-SCHEIBENBREMSE

Series: K100-K100LT..83-91



No.	Description	Supplement	Qty	From	Up To	Part Number	AT	R	TI
FOR VEHICLES WITH									
ANTI BLOCK SYSTEM (ABS)									
1	REAR BRAKE DISK BLACK	X524A = NO	1			34 21 2 310 206		1	
2	COUNTERSUNK HEAD SCREW	M8X20 TUFLOK	2			34 21 2 330 021			
3	BRACKET		1			33 11 1 451 189			
4	FILLISTER-HEAD SCREW	M10X25	2			07 11 9 920 150			
5	FLAT WASHER	A10,5	1			07 11 9 931 020			
6	BRAKE CALIPER	D=38	1			34 51 1 457 469		1	I
7	VENT SCREW	BREMBO	1			34 21 1 236 793			
8	DUST CAP		1			34 21 1 236 794			
9	COVERING CAP	20 3254.20	1			34 11 1 454 120			
10	REPAIR KIT, BRAKE PADS		1			34 11 1 454 724		1	
11	SET MOUNTING PARTS		1			34 11 1 454 005			
12	REPAIR SET BRAKE CALIPER		1			34 11 2 310 493			I
13	BRAKE FLUID DOT4, LOW VISCOSITY								
13	BRAKE FLUID DOT4, LOW VISCOSITY	250 ML DOSE	X			83 13 0 139 895			I
13	BRAKE FLUID DOT4, LOW VISCOSITY	500 ML DOSE	X			83 13 0 139 896			I
13	BRAKE FLUID DOT4, LOW VISCOSITY	1000 ML DOSE	X			83 13 0 139 897			I
13	BRAKE FLUID DOT4, LOW VISCOSITY	5 L KANISTER	X			83 13 0 139 898			I

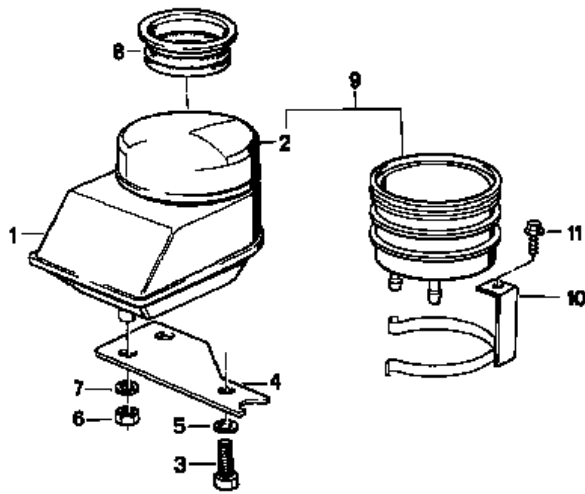
Diagrams 34_0620 REAR WHEEL BRAKE, BRAKE MASTER CYLINDER
 Series: K100-K100LT..83-91



00004679

No.	Description	Supplement	Qty	From	Up To	Part Number	AT	R	TI
1	BRAKE MASTER CYLINDER	D=13MM MAGUI	1		10/88	34 31 1 454 351		1	I
2	FILLISTER-HEAD SCREW	M6X16	2			34 31 1 451 985			
3	GROMMET		1			34 32 2 302 310			
3	GROMMET		1			34 32 2 310 917			
4	BRAKE HOSE	LÄNGE 275MM	1		12/91	34 32 1 450 555		1	I
5	BRAKE PIPE		1		12/91	34 21 1 450 775			
6	HOSE	220MM	1		09/87	34 32 1 451 888			
7	HOSE CLAMP	12,3MM	2			17 11 1 460 922			
8	SUPPORT		1			35 21 1 454 375			
9	TENSION SPRING		1			35 21 1 457 049			
10	BUSH		2			35 21 1 454 377			
11	REPAIR KIT BRAKE MASTER CYLINDER	D=13MM MAGUI	1		10/88	34 31 1 454 438			I
12	ADJUSTER	MAGURA	1			34 31 1 451 885			
13	RUBBER BOOT	MAGURA	1			34 31 1 454 435			I

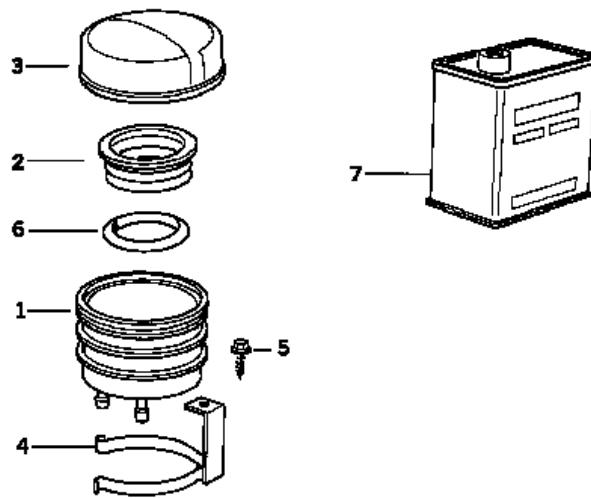
Diagrams 34_0632 REAR WHEEL BRAKE, FLUID CONTAINER
 Series: K100-K100LT..83.91



00004890

No.	Description	Supplement	Qty	From	Up To	Part Number	AT	R	TI
1	FLUID CONTAINER	ECKIG	1		09/87	34 31 1 451 863			
2	COVER		1		09/87	34 31 1 457 870			
3	FILLISTER-HEAD SCREW	M6X16-ZNS	1		09/87	07 11 9 901 438			
4	BRACKET		1		09/87	34 31 1 451 978			
5	FLAT WASHER	6,4	1		09/87	07 11 9 931 639			
6	SELF-LOCKING HEX NUT		2		09/87	63 14 2 322 408	AE		
6	HEX NUT	M5	2		09/87	07 11 9 964 653			
7	FLAT WASHER	5,3	2		09/87	07 11 9 936 416			
8	RUBBER COVER		1			34 31 1 457 603			

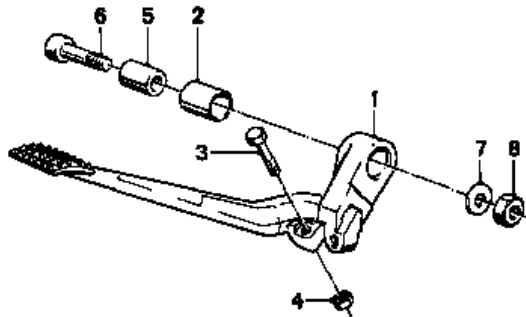
Diagrams 34_0633 REAR WHEEL BRAKE, FLUID CONTAINER
 Series: K100-K100LT..83-91



00004891

No.	Description	Supplement	Qty	From	Up To	Part Number	AT	R	TI
	ANTI BLOCK SYSTEM (ABS)								
1	FLUID CONTAINER	HINTEN	1			34 31 1 241 961		1	
2	RUBBER COVER		1			34 31 1 457 603			
3	COVER		1			34 31 1 457 870			
4	BRACKET		1			34 31 1 458 213			
5	SCREW		1			61 31 1 459 145			
7	BRAKE FLUID DOT4, LOW VISCOSITY								
7	BRAKE FLUID DOT4, LOW VISCOSITY	250 ML DOSE	X			83 13 0 139 895			
7	BRAKE FLUID DOT4, LOW VISCOSITY	500 ML DOSE	X			83 13 0 139 896			
7	BRAKE FLUID DOT4, LOW VISCOSITY	1000 ML DOSE	X			83 13 0 139 897			
7	BRAKE FLUID DOT4, LOW VISCOSITY	5 L KANISTER	X			83 13 0 139 898			

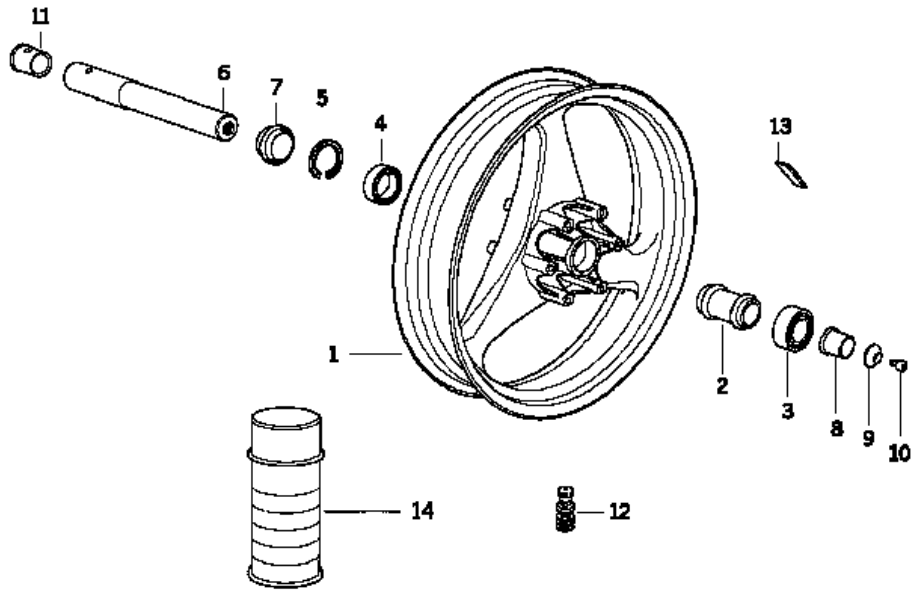
Diagrams 34_0621 REAR WHEEL BRAKE, BRAKE LEVER
 Series: K100-K100LT..83-91



00004880

No.	Description	Supplement	Qty	From	Up To	Part Number	AT	R	TI
1	BRAKE PEDAL								
1	BRAKE PEDAL		1			35 12 1 450 887		1	
1	BRAKE LEVER	SCHWARZ	1			35 21 1 457 385		1	
2	BUSH		1			35 21 1 450 231			
3	HEX BOLT	M6X25-ZNS	1			07 11 9 913 018			
4	HEX NUT	M6	1			23 13 2 322 367			
5	BUSH BEARING		1			35 21 1 450 230			
6	FILLISTER-HEAD SCREW	M10X45	1			07 11 9 901 088			
7	FLAT WASHER	A10,5	1			07 11 9 931 020			
8	SELF-LOCKING HEX NUT	M10	1			07 12 9 964 676			

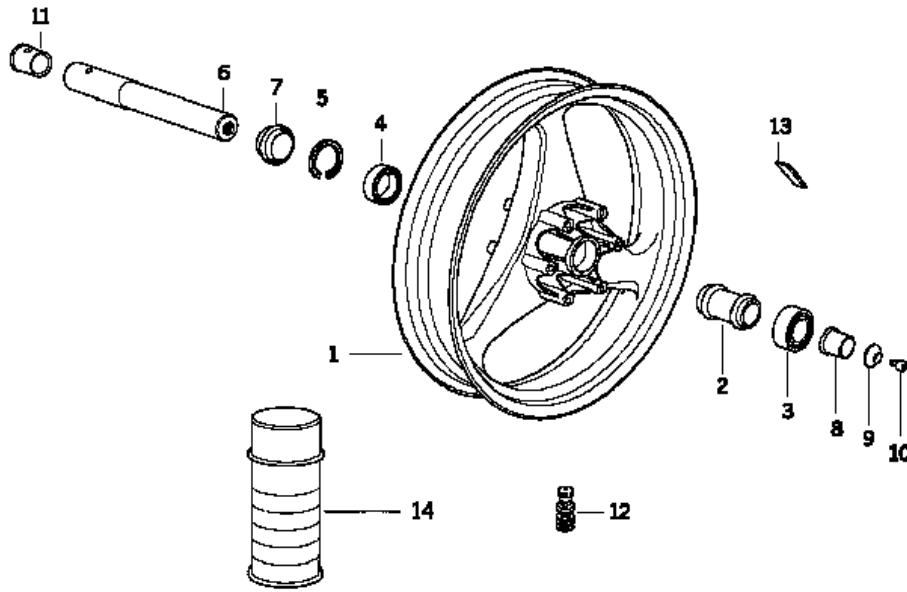
Diagrams 36_0349 CAST RIM, FRONT
 Series: K100-K100LT..83-91



00005005

No.	Description	Supplement	Qty	From	Up To	Part Number	AT	R	TI
1	CAST IRON RIM SILVER FRONT ONLY APPLIES TO	2,50X18	1			36 31 2 310 734		1	
--	RETROFIT KIT	A	X			36 31 2 310 736		1	T
--	RETROFIT KIT	B	X			36 31 2 311 883	E	1	T
2	PIPE								
2	PIPE ONLY APPLIES TO		1			36 31 2 311 028			
--	RETROFIT KIT	A	X			36 31 2 310 736		1	T
--	RETROFIT KIT	B	X			36 31 2 311 883	E	1	T
3	GROOVED BALL BEARING								
3	GROOVED BALL BEARING ONLY APPLIES TO	25X47X12	1			36 31 1 450 859			
--	RETROFIT KIT	A	X			36 31 2 310 736		1	T
--	RETROFIT KIT	B	X			36 31 2 311 883	E	1	T
4	ANGULAR CONTACT BALL BEARING,RADIAL								
4	ANGULAR CONTACT BALL BEARING,RADIAL ONLY APPLIES TO	25X47X16	1			36 31 2 311 030			
--	RETROFIT KIT	A	X			36 31 2 310 736		1	T
--	RETROFIT KIT	B	X			36 31 2 311 883	E	1	T
5	LOCK RING								
5	LOCK RING ONLY APPLIES TO	47X1,75	1			36 31 2 311 032			

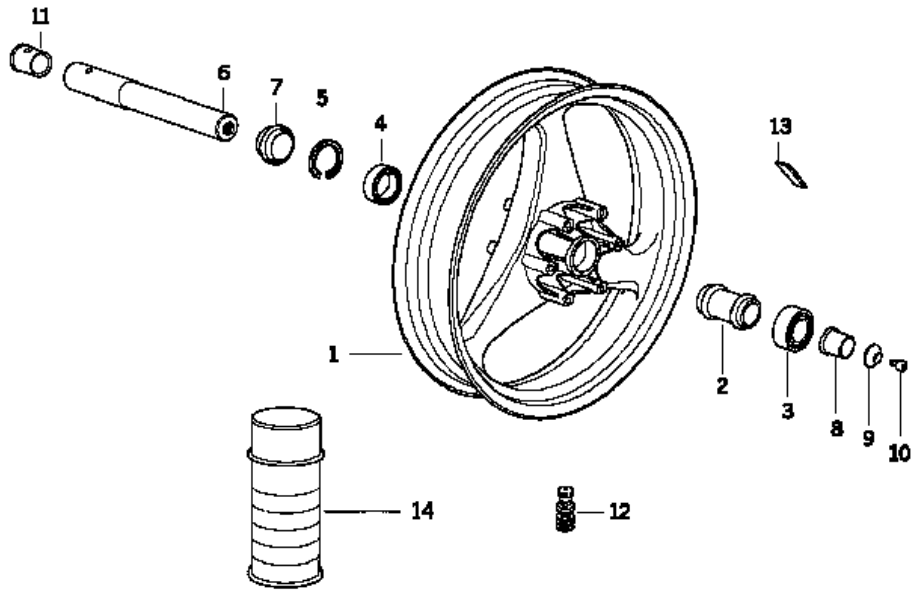
Diagrams 36_0349 CAST RIM, FRONT
Series: K100-K100LT..83-91



00005005

No.	Description	Supplement	Qty	From	Up To	Part Number	AT	R	TI
5	LOCK RING ONLY APPLIES TO	47X1,75	1			36 31 2 311 032			
--	RETROFIT KIT	A	X			36 31 2 310 736		1	T
--	RETROFIT KIT	B	X			36 31 2 311 883	E	1	T
6	AXLE SHAFT								
6	AXLE SHAFT ONLY APPLIES TO		1			36 31 1 454 950		1	
--	CAST IRON RIM SILVER FRONT	3,50X17	X			36 31 2 311 272		1	
--	CAST IRON RIM WEISS FRONT	3,50X17	X			36 31 2 312 867	E	1	
7	BUSH								
7	BUSH ONLY APPLIES TO		1			36 31 1 450 821			
--	RETROFIT KIT	A	X			36 31 2 310 736		1	T
--	RETROFIT KIT	B	X			36 31 2 311 883	E	1	T
8	BUSH								
8	BUSH ONLY APPLIES TO		1			36 31 2 311 026			
--	RETROFIT KIT	A	X			36 31 2 310 736		1	T
--	RETROFIT KIT	B	X			36 31 2 311 883	E	1	T
9	SPACER RING		1			36 31 1 450 834			
10	FILLISTER-HEAD SCREW	M10X20	1			07 11 9 901 039			
11	CAP		1			36 31 1 451 468			

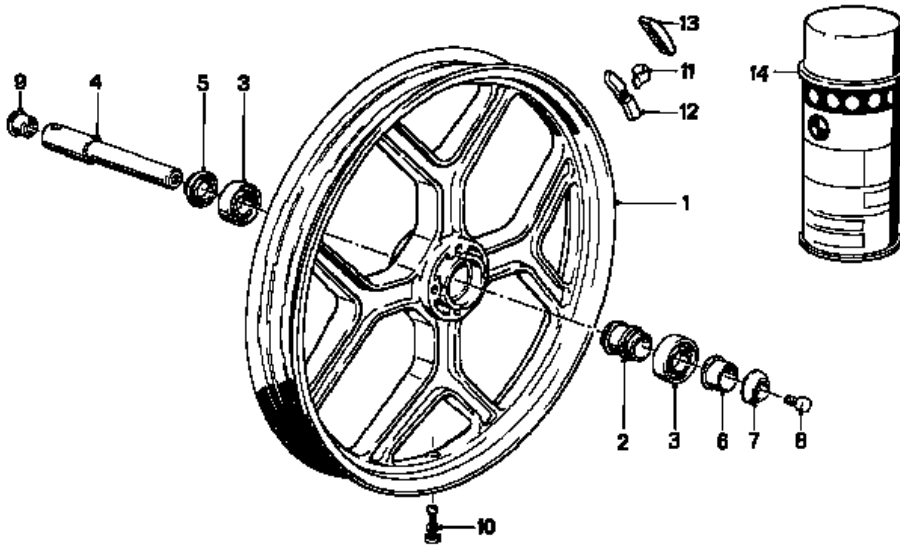
Diagrams 36_0349 CAST RIM, FRONT
Series: K100-K100LT..83-91



00005005

No.	Description	Supplement	Qty	From	Up To	Part Number	AT	R	TI
8	BUSH		1			36 31 2 311 026			
--	ONLY APPLIES TO								
--	RETROFIT KIT	A	X			36 31 2 310 736		1	T
--	RETROFIT KIT	B	X			36 31 2 311 883	E	1	T
9	SPACER RING		1			36 31 1 450 834			
10	FILLISTER-HEAD SCREW	M10X20	1			07 11 9 901 039			
11	CAP		1			36 31 1 451 468			
12	VALVE								
12	VALVE	D=15	1			36 31 1 454 963			
--	ONLY APPLIES TO								
--	RETROFIT KIT	A	X			36 31 2 310 736		1	T
--	RETROFIT KIT	B	X			36 31 2 311 883	E	1	T
13	BALANCE WEIGHT								
13	BALANCE WEIGHT	5 GR	X			36 31 1 451 958			
13	BALANCE WEIGHT	10 GR	X			36 31 1 451 959			
13	BALANCE WEIGHT	20 GR	X			36 31 1 451 960			
13	BALANCE WEIGHT	30 GR	X			36 31 1 451 961			
13	BALANCE WEIGHT	15 GR	X			36 31 1 454 310			
13	BALANCE WEIGHT	25 GR	X			36 31 1 454 311			
--	ONLY APPLIES TO								
--	RETROFIT KIT	A	X			36 31 2 310 736		1	T
--	RETROFIT KIT	B	X			36 31 2 311 883	E	1	T
14	SPRAY SILBER								

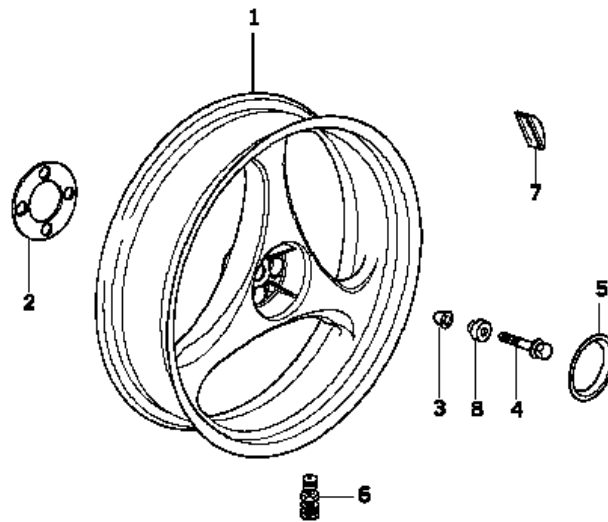
Diagrams 36_0163 CAST RIM, FRONT
 Series: K100-K100LT..83-91



00004988

No.	Description	Supplement	Qty	From	Up To	Part Number	AT	R	TI
1	CAST IRON RIM SILVER FRONT	2,50X18	1			36 31 1 451 897		1	
2	PIPE		1			36 31 1 450 824			
3	GROOVED BALL BEARING	25X47X12	2			36 31 1 450 859			
4	AXLE SHAFT		1			36 31 1 454 950		1	
5	BUSH		1			36 31 1 450 821			
6	BUSH		1			36 31 1 450 818			
7	SPACER RING		1			36 31 1 450 834			
8	FILLISTER-HEAD SCREW	M10X20	1			07 11 9 901 039			
9	CAP		1			36 31 1 451 468			
10	VALVE	D=8	1		06/86	36 32 1 452 748			
11	SPRING		2			36 31 1 451 792			
12	BALANCE WEIGHT								
13	BALANCE WEIGHT								
14	SPRAY SILBER								

Diagrams 36_0171 CAST RIM, REAR
 Series: K100-K100LT..83-91

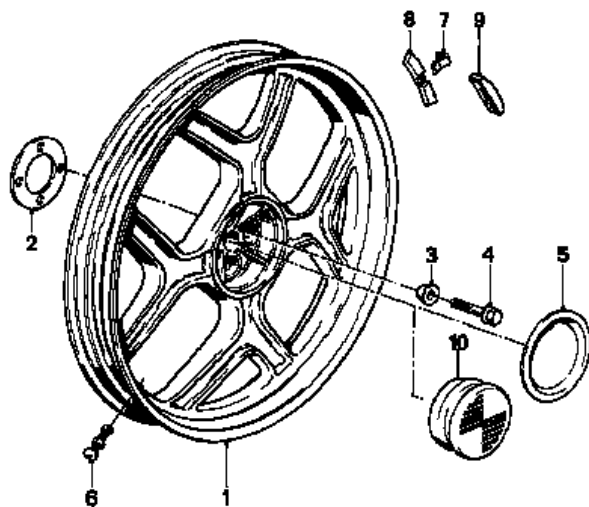


00005007

No.	Description	Supplement	Qty	From	Up To	Part Number	AT	R	TI
1	CAST IRON RIM SILVER REAR	3,00X17 B	1			36 31 2 311 887		1	
2	SPACER RING	2MM	1			36 31 1 451 791			
3	CONICAL RING		4			36 13 1 454 892	E		
4	WHEEL BOLT								
4	WHEEL BOLT	M12X1,5X60	4			36 31 1 451 554	AE		
4	WHEEL BOLT	M12X1,5X60	4			36 31 2 333 226			
5	HUB CAP		1			36 13 2 311 016			
6	VALVE	D=15	1			36 31 1 454 963			
7	BALANCE WEIGHT								

Diagrams 36_0164 CAST RIM, REAR

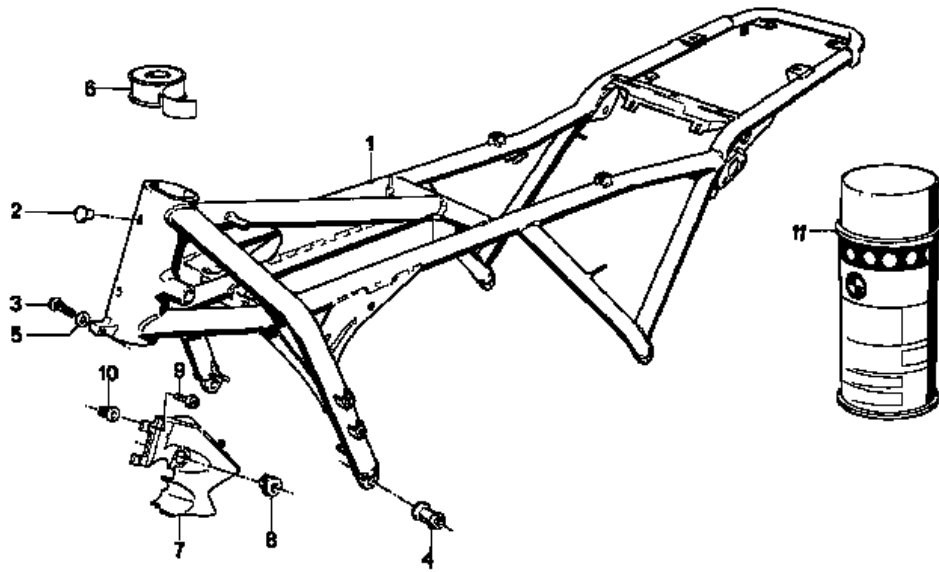
Series: K100-K100LT..83-91



00005000

No.	Description	Supplement	Qty	From	Up To	Part Number	AT	R	TI
1	CAST IRON RIM SILVER REAR	2,75X17	1			36 31 1 451 243		1	
2	SPACER RING	2MM	1			36 31 1 451 791			
3	CONICAL RING		4			36 13 1 454 892	E		
4	WHEEL BOLT								
4	WHEEL BOLT	M12X1,5X60	4			36 31 1 451 554	AE		
4	WHEEL BOLT	M12X1,5X60	4			36 31 2 333 226			
5	HUB CAP		1			36 13 1 451 758			
6	VALVE	D=8	1		06/86	36 32 1 452 748			
7	SPRING		2			36 31 1 451 792			
8	BALANCE WEIGHT								
9	BALANCE WEIGHT								

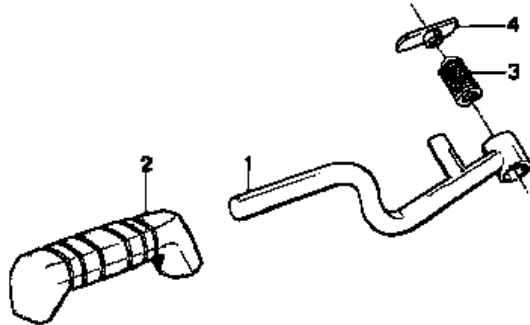
Diagrams 46_0000 FRAME
 Series: K100-K100LT..83-91



00005509

No.	Description	Supplement	Qty	From	Up To	Part Number	AT	R	TI
	FG* K100 0 008 131/ K100RS 0 084 625/ K100RT 0 027 888 FG* K100RS USA 0 042 660/ K100RT USA 0 053 295								
1	FRAME		1	04/85		46 51 2 310 665		1	
2	BLIND PLUG		4			46 51 1 451 596			
	FOR VEHICLES WITH OFFICIAL VEHICLES	= YES							
3	NOTCHED NAIL FOR HANDLEBAR BOARD HIGH	6x8	2			07 11 9 944 688			
6	FOIL	50M	X			61 13 1 459 527	E		
11	SPRAY SCHWARZ MATT	121	X			51 91 1 453 483			I

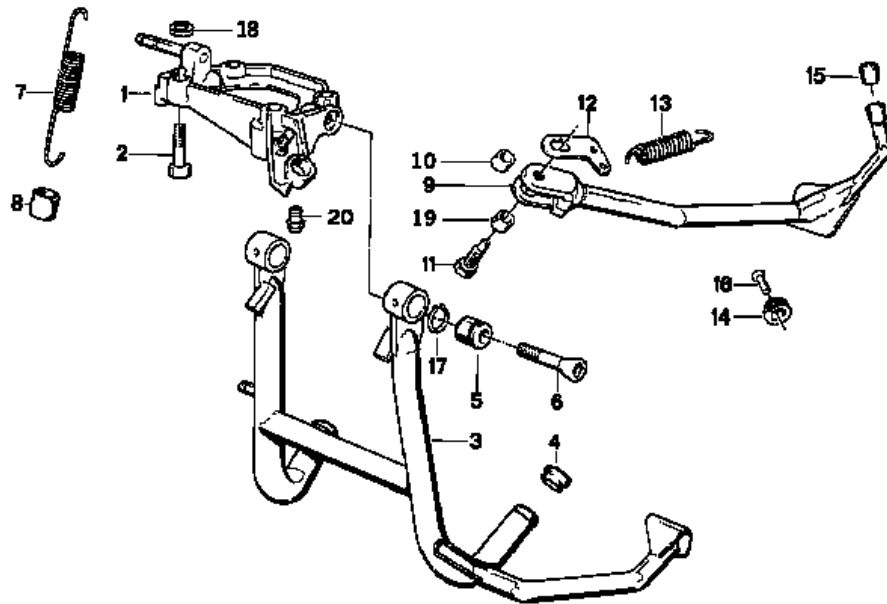
Diagrams 46_0107 HANDLE
 Series: K100-K100LT..83-91



00005608

No.	Description	Supplement	Qty	From	Up To	Part Number	AT	R	TI
1	HANDLE		1			46 71 1 451 964			
2	HANDLE		1			46 71 1 451 968			
3	SPRING		1			46 71 1 451 969			
4	SPRING RETAINER		2			46 71 1 451 970			

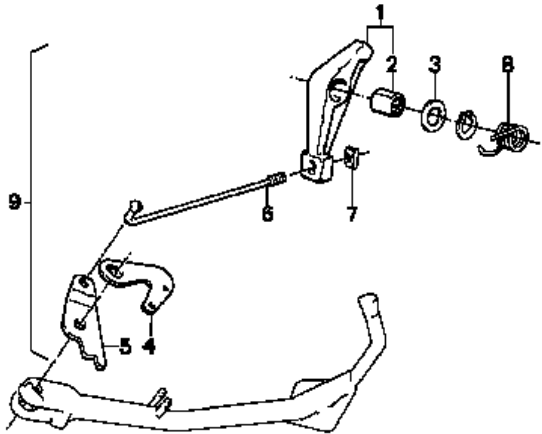
Diagrams 46_0367 CENTER STAND
 Series: K100-K100LT..83-91



00005597

No.	Description	Supplement	Qty	From	Up To	Part Number	AT	R	TI
1	SUPPORTING BRACKET								
1	SUPPORTING BRACKET		1		03/91	46 52 2 311 150		1	
--	BUSH BEARING		1		03/91	46 53 2 310 471			
--	BUSH BEARING		1		03/91	46 53 2 310 473			
--	HEX BOLT	M10X50	1		03/91	46 53 2 312 278			
2	FILLISTER-HEAD SCREW	M10X40	4			46 52 1 450 717			
3	CENTER STAND		1	05/84		46 52 2 310 475		1	
4	CAP		2			46 52 1 236 522			
5	SLEEVE		2	05/84		46 52 1 454 038			
6	COUNTERSUNK HEAD SCREW		2	05/84		46 52 1 454 158			
7	TENSION SPRING		2			46 52 1 450 075			
8	RUBBER GROMMET		2			46 52 1 237 786			
9	SIDE STAND		1			46 53 1 451 973		1	
11	HEX BOLT								
11	HEX BOLT	M10X50	1		03/91	46 53 2 312 278			
--	BUSH BEARING		1		03/91	46 53 2 310 471			
--	BUSH BEARING		1		03/91	46 53 2 310 473			
13	TENSION SPRING		2			46 53 1 450 989			
14	BUMP STOP		1			46 53 1 454 145			
15	CAP		1			46 53 2 312 966			
16	BLIND RIVET	3,2-2A	1			07 12 9 948 747			
17	LOCK RING	20X1,2	1			07 11 9 934 132			
18	FLAT WASHER	10,5	4			07 11 9 931 698			

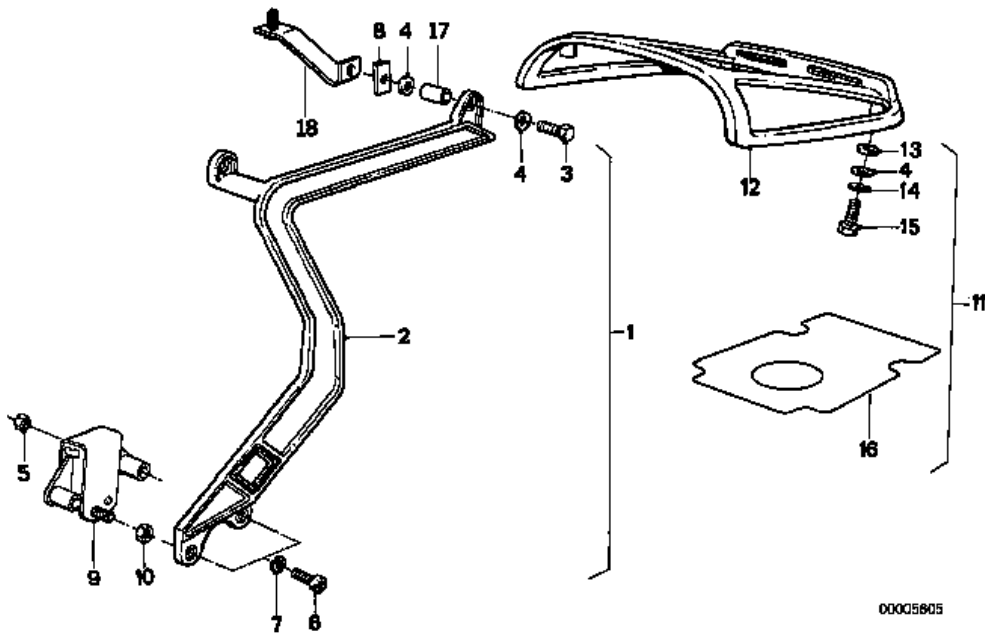
Diagrams 46_0116 SIDE STAND
Series: K100-K100LT..83-91



00005612

No.	Description	Supplement	Qty	From	Up To	Part Number	AT	R	TI
1	LEVER		1			46 53 1 454 070			
2	NEEDLE SLEEVE	12X8X10	1			46 53 1 454 059			
3	SPACER RING	8X14X1,2	2			07 11 9 932 663			
4	SHACKLE		1			46 53 1 454 246			
5	PAWL		1			46 53 1 454 247			
6	PULL ROD		1			46 53 1 454 055			
7	NUT		1			46 53 1 454 056			
8	RETAINER SPRING		1			46 53 1 454 058			

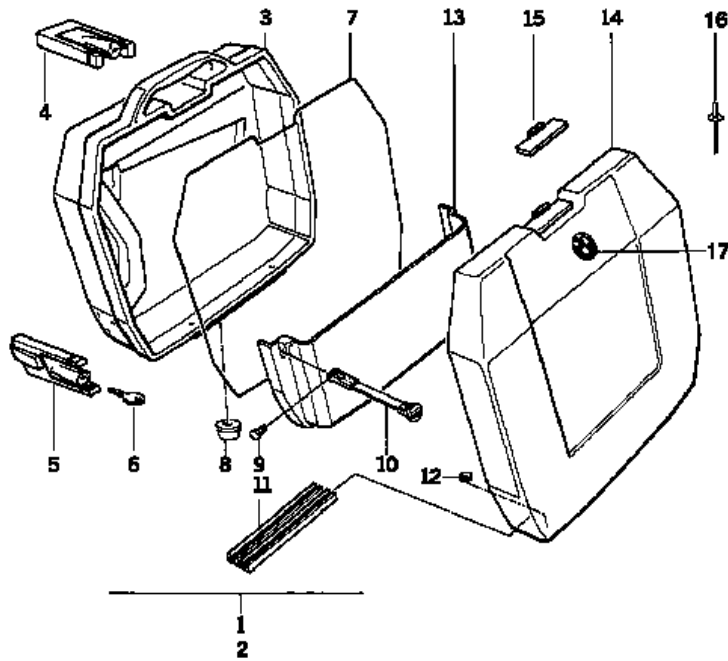
Diagrams 46_0109 SET CASE HOLDER
Series: K100-K100LT..83-91



No.	Description	Supplement	Qty	From	Up To	Part Number	AT	R	TI
1	SET CASE HOLDER		1			46 54 2 303 189		1	T
2	LEFT CASE HOLDER								
	CONSISTING OF								
2	LEFT CASE HOLDER		1			46 54 2 300 037		1	
2	RIGHT CASE HOLDER		1			46 54 2 300 038		1	
	CONSISTING OF								
3	HEX BOLT	M6X20	4			07 11 9 913 016			
4	FLAT WASHER	6,4	6			07 11 9 936 440			
5	SELF-LOCKING HEX NUT	M6	2			07 12 9 946 350			
6	FILLISTER-HEAD SCREW								
6	FILLISTER-HEAD SCREW	M6X40	2			07 11 9 919 628			
	CONSISTING OF								
6	FILLISTER-HEAD SCREW	M6X16-ZNS	2			07 11 9 901 438			
6	FILLISTER-HEAD SCREW	M6X25-ZNS	2	09/85		07 11 9 919 625			
	CONSISTING OF								
7	WAVE WASHER	B6	6	09/85		07 11 9 932 099			
8	CAGE NUT	M6	4			07 12 9 926 512			
9	RUBBER MOUNTING		1	09/85		18 21 1 454 982			
10	SELF-LOCKING HEX NUT	M8	1	09/85		07 12 9 964 675			
11	SET LUGGAGE CARRIER		1			46 54 2 300 350		1	T
	CONSISTING OF								
12	LUGGAGE CARRIER		1			52 53 2 300 052		1	
13	RUBBER WASHER		4			46 62 1 230 798			
14	WAVE WASHER	B6	4			07 11 9 932 099			
15	HEX BOLT	M6X28	4			07 11 9 913 484			
16	FOIL		1			51 14 2 303 387			

Diagrams 46_0143 SET CITYCASE

Series: K100-K100LT..83-91

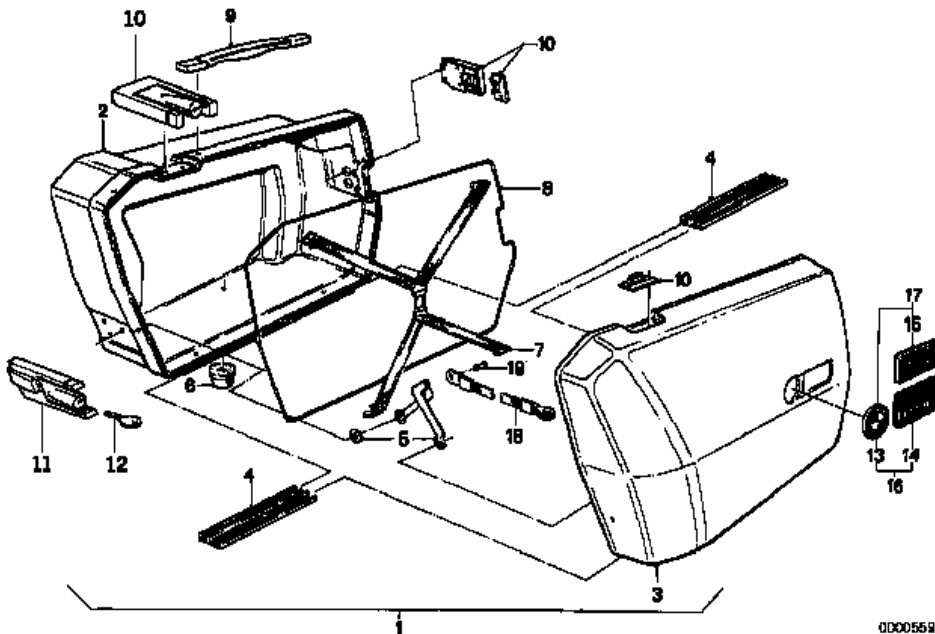


00005689

No.	Description	Supplement	Qty	From	Up To	Part Number	AT	R	TI
1	SET CITYCASE								
1	SET CITYCASE	SCHWARZ	1			46 54 2 316 585	E	1	T
1	SET CITYCASE	WEISS	1			46 54 2 316 657	E	1	T
2	CITYCASE LEFT								
2	CITYCASE LEFT	SCHWARZ	1			46 54 2 316 595		1	
2	CITYCASE RIGHT	SCHWARZ	1			46 54 2 316 596		1	
2	CITYCASE LEFT	WEISS	1			46 54 2 316 655		1	
2	CITYCASE RIGHT	WEISS	1			46 54 2 316 656		1	
3	HOUSING BOTTOM LEFT								
3	HOUSING BOTTOM LEFT		1			46 54 2 316 683		1	
3	HOUSING BOTTOM RIGHT		1			46 54 2 316 684		1	
4	LOCK								
4	LOCK		2		02/88	46 54 2 303 099			
4	CATCH (CODE)		2		02/88	46 54 2 303 109			
5	LOCK								
5	LOCK		2		02/88	46 54 2 300 041			
5	CATCH (CODE)		2		02/88	46 54 2 300 048			
6	NORMALSCHLÜSSEL (CODE)		1		02/88	46 54 2 300 006			
7	GASKET	5X1560MM	2			46 54 2 300 042			
8	PAD		2			46 54 2 300 044			
9	PIN		2			51 16 1 828 956			
10	JOINT LINK		2			51 16 1 904 471			
11	HINGE		2			46 54 2 300 039			
12	FLAT WASHER	3,7	6			07 11 9 936 410			
14	COVER								
14	COVER	SCHWARZ	2			46 54 2 316 682		1	
14	COVER	POLIZEIWEISS	2			46 54 2 316 685		1	
15	HOOK		2			46 54 2 303 642			
16	SET OF BOTTOM PART RIVETS								
16	SET OF BOTTOM PART RIVETS		X			46 54 2 316 691			
17	BADGE	BMW	2			51 14 2 303 355			

Diagrams 46_0102 INTEGRAL CASE

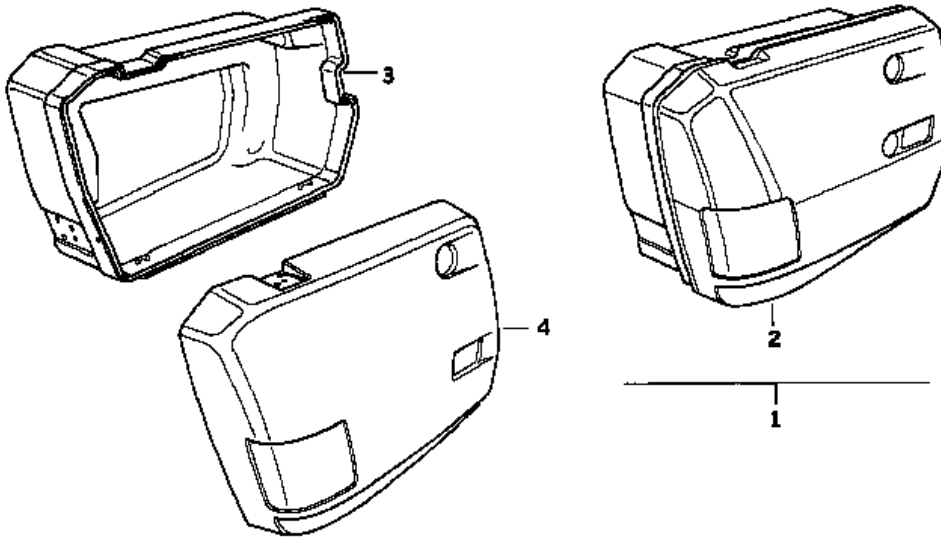
Series: K100-K100LT..83-91



00005598

No.	Description	Supplement	Qty	From	Up To	Part Number	AT	R	TI
1	SET INTEGRAL CASE		1			46 54 2 315 024	E		
2	HOUSING BOTTOM LEFT								
2	HOUSING BOTTOM LEFT		1			46 54 2 300 033	E		
2	HOUSING BOTTOM RIGHT		1			46 54 2 300 034	E		
3	COVER LEFT								
3	COVER LEFT		1			46 54 2 300 035		1	
3	COVER RIGHT		1			46 54 2 300 036		1	
4	HINGE		4			46 54 2 300 039			
5	HINGE LEFT								
5	HINGE LEFT		1			46 54 2 300 055	E		
5	HINGE RIGHT		1			46 54 2 300 056	E		
6	PAD		2			46 54 2 300 044			
7	RUBBER TAPE		4			46 54 2 300 043			
8	GASKET	5X1560MM	2			46 54 2 300 042			
9	HANDLE		2			46 54 2 300 013			
10	LOCK								
10	LOCK		4		02/88	46 54 2 300 088			
10	CATCH (CODE)	(CODE)	4		02/88	46 54 2 300 089			
11	LOCK								
11	LOCK		2		02/88	46 54 2 300 041			
11	CATCH (CODE)		2		02/88	46 54 2 300 048			
12	NORMALSCHLÜSSEL (CODE)		X		02/88	46 54 2 300 006			
13	BADGE		2			46 54 2 300 045			
FOR VEHICLES WITH									
SWITZERLAND VERSION = YES									
15	SIDE MARKER	ROT	2			46 54 2 300 047			
17	INSTALLING SET SIDE MARKING LIGHT	ROT	2			46 54 9 056 969	E		
18	HOLDING STRAP	MM180	2			46 54 2 300 441			
19	PIN		2			51 16 1 828 956			

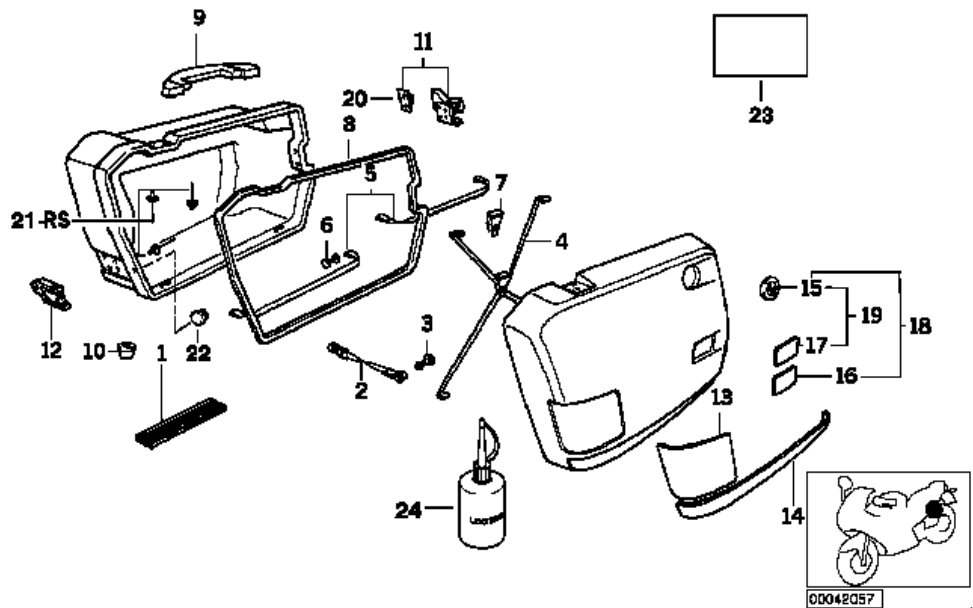
Diagrams 46_0220 INTEGRAL CASE
Series: K100-K100LT..83.91



00005717

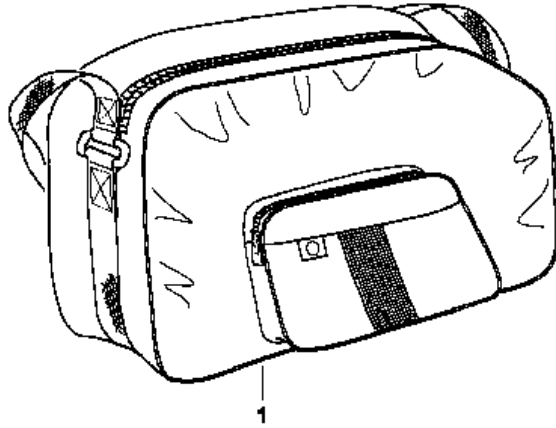
No.	Description	Supplement	Qty	From	Up To	Part Number	AT	R	TI
1	SET INTEGRAL CASE	SCHWARZ	1			46 54 2 316 173	E	1	T
2	INTEGRAL CASE LEFT								
2	INTEGRAL CASE LEFT	35L	1			46 54 2 316 181		1	
2	INTEGRAL CASE RIGHT	35L	1			46 54 2 316 182		1	
3	HOUSING BOTTOM LEFT								
3	HOUSING BOTTOM LEFT		1			46 54 2 316 333		1	
3	HOUSING BOTTOM RIGHT		1			46 54 2 316 334		1	
4	COVER LEFT								
4	COVER LEFT	SCHWARZ	1			46 54 2 316 357		1	
4	COVER RIGHT	SCHWARZ	1			46 54 2 316 358		1	

Diagrams 46_0209 INTEGRAL CASE SINGLE PARTS
 Series: K100-K100LT..83-91



No.	Description	Supplement	Qty	From	Up To	Part Number	AT	R	TI
1	HINGE		4			46 54 2 300 039			
2	HOLDING STRAP	MM180	2			46 54 2 300 441			
3	PIN		2			51 16 1 828 956			
4	RUBBER TAPE	335 MM	4			46 54 2 315 754			
5	RUBBER TAPE	230MM	4			46 54 2 315 753			
6	AXLE		X			46 54 2 315 755			
7	HOOK		4			46 54 2 315 756			
8	GASKET LEFT								
8	GASKET LEFT		1			46 54 2 316 391			T
8	GASKET RIGHT		1			46 54 2 316 392			T
9	HANDLE		2			46 54 2 315 073			
10	PAD		2			46 54 2 300 044			
11	CASE CATCH		4			46 54 2 303 640			
12	CASE SUSPENSION CATCH		2			46 54 2 303 652			
13	IMPACT PROTECTION								
13	IMPACT PROTECTION	LINKS	1			46 54 2 315 055		1	
13	IMPACT PROTECTION	RECHTS	1			46 54 2 315 056		1	
14	IMPACT PROTECTION								
14	IMPACT PROTECTION	LINKS	1			46 54 2 315 057		1	
14	IMPACT PROTECTION	RECHTS	1			46 54 2 315 058		1	
15	BADGE		2			46 54 2 300 045			
FOR VEHICLES WITH									
SWITZERLAND VERSION = YES									
17	SIDE MARKER	ROT	2			46 54 2 300 047			
19	INSTALLING SET SIDE MARKING LIGHT	ROT	2			46 54 9 056 969	E		
20	HOOK		4			46 54 2 303 642			
21	SET OF COVER RIVETS								
21	SET OF COVER RIVETS		X			46 54 2 316 689			
21	SET OF BOTTOM PART RIVETS		X			46 54 2 316 690			
22	PUSH-BUTTON INNER PART		2			46 54 2 316 434			

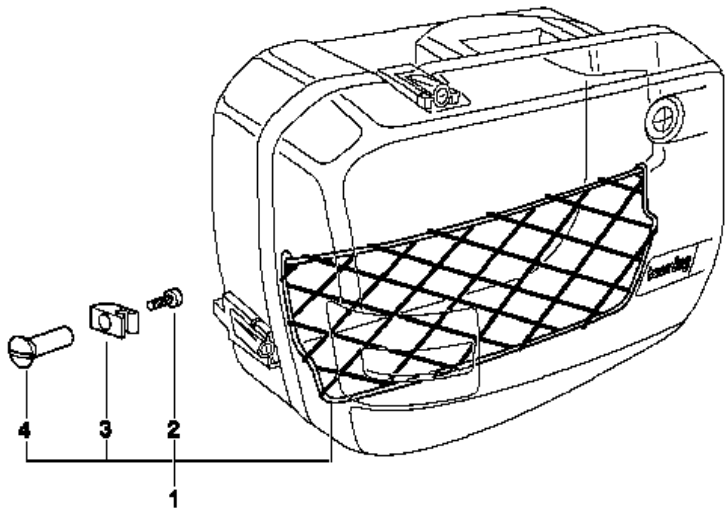
Diagrams 46_0271 BAG
Series: K100-K100LT..83-91



0000768

No.	Description	Supplement	Qty	From	Up To	Part Number	AT	R	TI
1	BOX LEFT								
1	BOX LEFT		1			72 60 2 319 125	AE	1	
1	BOX LEFT		1			71 60 7 666 945		1	
1	BOX RIGHT		1			72 60 2 319 126	AE	1	
1	BOX RIGHT		1			72 60 7 666 946		1	

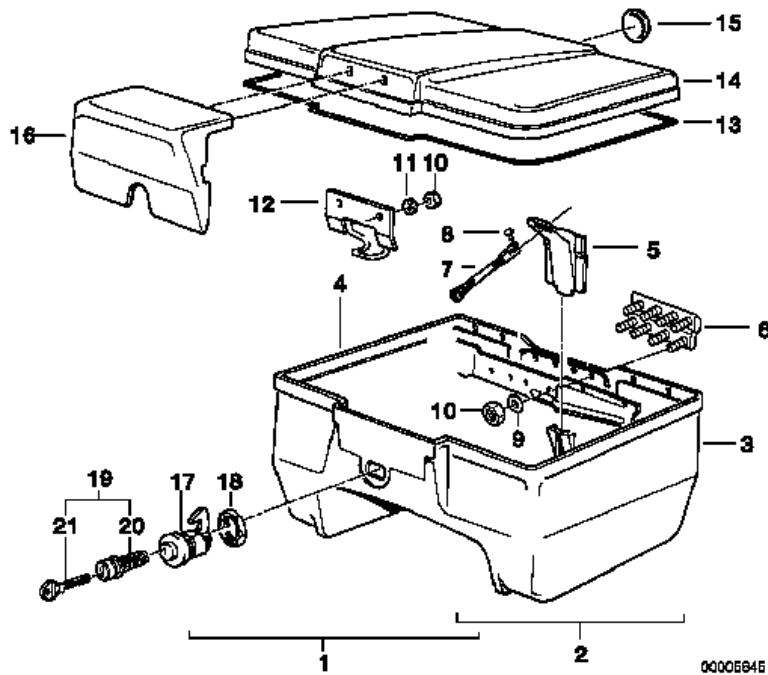
Diagrams 46_0274 LUGGAGE NET
Series: K100-K100LT..83-91



00005770

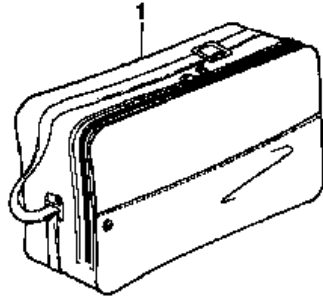
No.	Description	Supplement	Qty	From	Up To	Part Number	AT	R	TI
1	LUGGAGE NET INSTALLATION SET		2			46 54 2 315 916		1	T
2	FILLISTER HEAD SCREW								
2	FILLISTER HEAD SCREW	M4X10	8			07 11 9 907 592			
2	INTEGRAL CASE LEFT	35L	1			46 54 2 316 181		1	
2	INTEGRAL CASE RIGHT	35L	1			46 54 2 316 182		1	
3	BRACKET		8			46 54 2 315 919			
4	NUT	M4	8			46 54 2 316 389			

Diagrams 46_0149 TOP CASE 22L
 Series: K100-K100LT..83-91



No.	Description	Supplement	Qty	From	Up To	Part Number	AT	R	TI
1	TOP CASE WITH LOCK CYLINDER		1			46 54 2 303 693	AE	1	
2	TOP CASE WITHOUT LOCK CYLINDER	22L	1			46 54 2 324 814		1	
3	BOTTOM PART		1			46 54 2 300 242		1	
4	REINFORCEMENT		1			46 54 2 303 332			
5	BRACKET		1			46 54 2 300 439			
6	HINGE		1			46 54 2 303 509			
7	JOINT LINK		1			51 16 1 904 471			
8	PIN		1			46 54 2 300 454			
9	FLAT WASHER	A4,3	X			07 11 9 931 027			
10	SELF-LOCKING HEX NUT	M4	X			07 12 9 922 452			
11	FLAT WASHER	4,3	2			07 11 9 936 412			
12	CATCH BRACKET		1			46 54 2 300 244			
13	GASKET		1			46 54 2 300 448			
14	COVER		1			46 54 2 300 241		1	
14	COVER	PERLGRUEN	1			46 54 2 322 765		1	
15	BADGE	BMW	1			51 14 2 303 355			
16	BACKREST	SCHWARZ	1			46 54 2 300 243		1	
17	HOUSING		1			51 16 2 303 024			
18	HEX NUT	M33X1	1			51 25 9 062 586			
19	LOCK CYLINDER WITH KEY		1			51 25 2 303 682		1	
20	LOCK (WITH KEY CODE)		1			51 25 2 303 289			
21	STANDARD KEY (BLANK)		1			51 25 1 233 554			

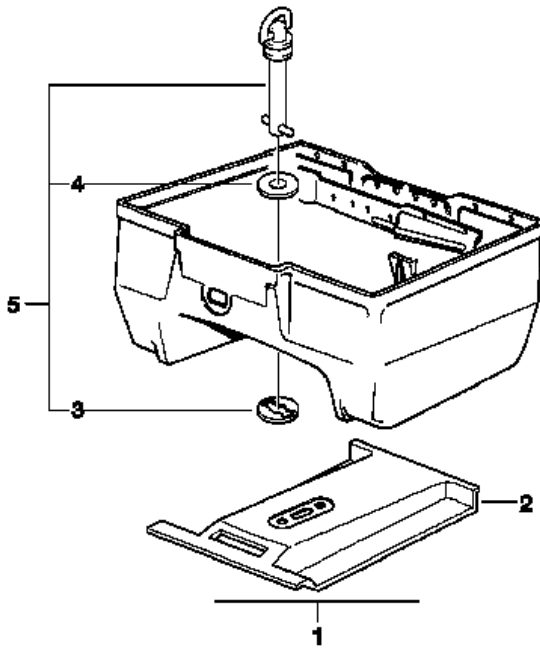
Diagrams 46_0301 BAG FOR TOP CASE
 Series: K100-K100LT..83-91



00006798

No.	Description	Supplement	Qty	From	Up To	Part Number	AT	R	TI
1	BAG	22 LTR.	1			72 60 2 319 128		1	

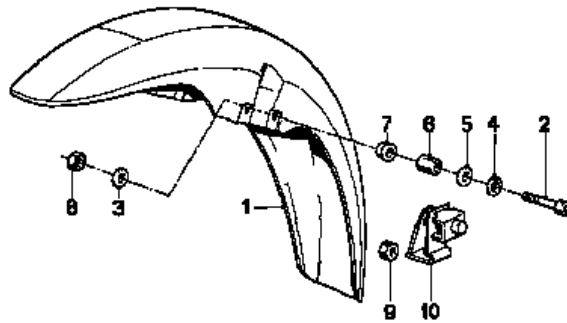
Diagrams 46_0347 TOPCASE 22 L MOUNTING PARTS
 Series: K100-K100LT..83-91



0000E644

No.	Description	Supplement	Qty	From	Up To	Part Number	AT	R	TI
1	SET MOUNTING PARTS		1			46 54 2 316 755			
2	MOUNTING PLATE		1			46 54 2 300 449			
3	FLAT WASHER		1			46 54 2 300 447			
4	FLAT WASHER	13	1			07 11 9 936 442			
5	SCREW PLUG		1			46 54 2 300 445			

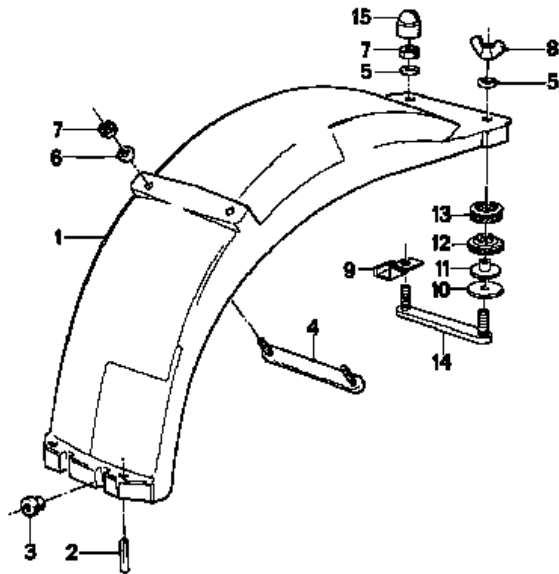
Diagrams 46_0103 MUDGUARD FRONT
Series: K100-K100LT..83-91



00005599

No.	Description	Supplement	Qty	From	Up To	Part Number	AT	R	TI
1	MUDGUARD FRONT PRIME COATED		1			46 61 1 450 668			
2	FILLISTER-HEAD SCREW	M6X45	4			46 61 2 322 495			
3	FLAT WASHER	6,4-ZNS	4			07 11 9 931 018			
6	BUSH		4			63 14 1 459 169			
9	SQUARE NUT	M6	4	08/84		46 61 2 322 491			
10	BRACKET		4	08/84		46 61 1 453 977			

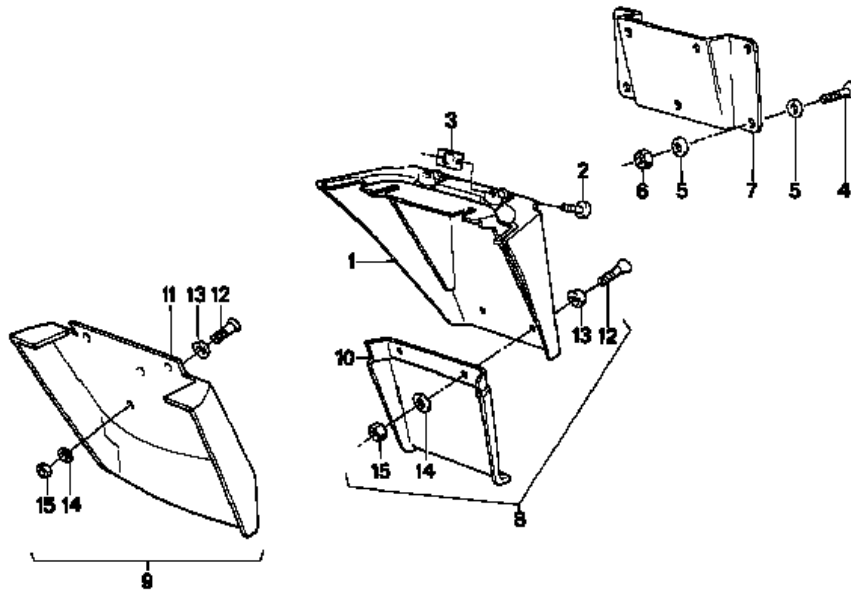
Diagrams 46_0104 REAR MUDGUARD
 Series: K100-K100LT..83-91



00005600

No.	Description	Supplement	Qty	From	Up To	Part Number	AT	R	TI
1	MUDGUARD REAR	SCHWARZ-MAT	1			46 62 1 450 471			
2	ANTI RATTLE PIN	6X24	2			07 11 9 941 473			
3	BUSHING		2			46 62 1 450 473			
4	SHACKLE		1			46 62 1 450 700			
5	FLAT WASHER	6,4	2			07 11 9 936 425			
6	FLAT WASHER	A6,4	2			07 11 9 931 044			
7	SELF-LOCKING HEX NUT	M6	2			07 12 9 900 191			
8	WING NUT	M6	2			46 62 1 451 394			
9	REINFORCEMENT		2			46 51 1 454 075			
10	SPACER RING		2			52 53 1 453 322			
11	BUSH		2			52 53 1 455 344			
12	RUBBER MOUNTING		2			52 53 1 455 343			
13	RUBBER MOUNTING		2			52 53 1 451 629			
14	SHACKLE		1			46 62 1 453 328			
15	CAP		2			46 62 1 453 688			

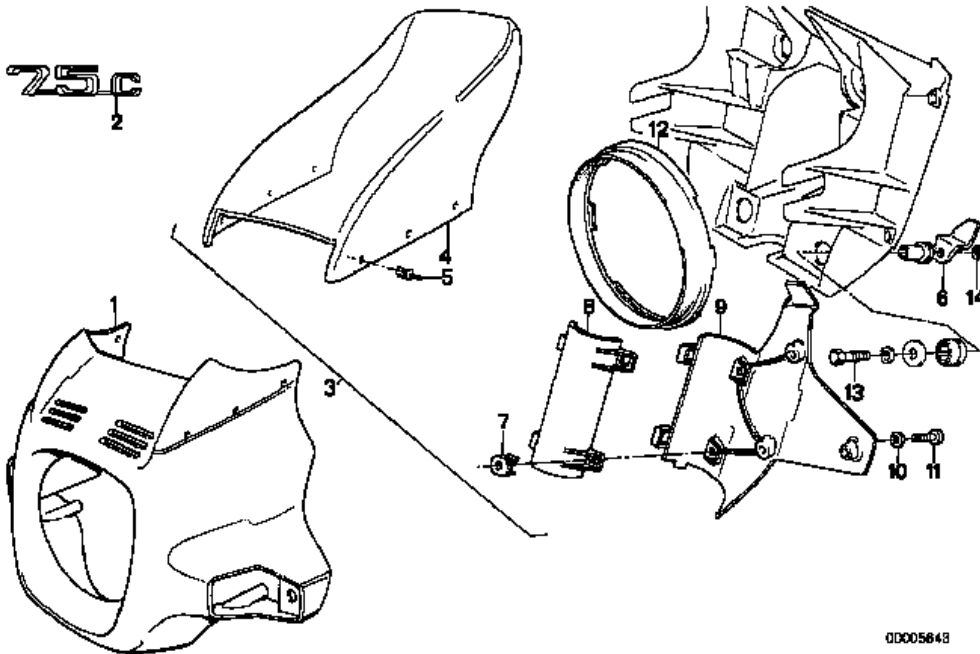
Diagrams 46_0122 REGISTRATION PLATE MOUNTING
 Series: K100-K100LT..83-91



00005618

No.	Description	Supplement	Qty	From	Up To	Part Number	AT	R	TI
FOR VEHICLES WITH SWITZERLAND VERSION									
1	REGISTRATION PLATE MOUNTING ONLY APPLIES TO MUD FLAPS	= YES	1			46 62 2 300 075			
4	FILLISTER HEAD SCREW		3			07 11 9 906 423			
4	FILLISTER HEAD SCREW	M6X16	3			46 63 1 241 162			
4	EXPANDING RIVET		3			46 63 1 241 162			
5	FLAT WASHER	A6,4	6			07 11 9 931 044			
6	SELF-LOCKING HEX NUT	M6	3			07 12 9 900 191			
7	REGISTRATION PLATE MOUNTING		1			46 62 1 453 692			
8	SET MUD FLAPS, REAR		1			46 62 2 300 239			T
9	SET MUD FLAPS, REAR	GROSS	1			46 62 2 303 813	E	1	T
10	MUD FLAPS		1			46 62 2 300 140			
11	MUD FLAPS	GROSS	1			46 62 2 303 617			
12	CSK.FILLISTER HEAD SCREW	M5X16	2			07 11 9 928 488			
13	FLAT WASHER		2			51 45 1 801 524			
14	FLAT WASHER	5,3	2			07 11 9 936 416			
15	SELF-LOCKING HEX NUT		2			63 14 2 322 408	AE		
15	SELF-LOCKING HEX NUT	M5	2	02/96		07 11 9 964 653			
15	HEX NUT	M5	2						

Diagrams 46_0147 COCKPIT TRIM PANEL
 Series: K100-K100LT..83-91

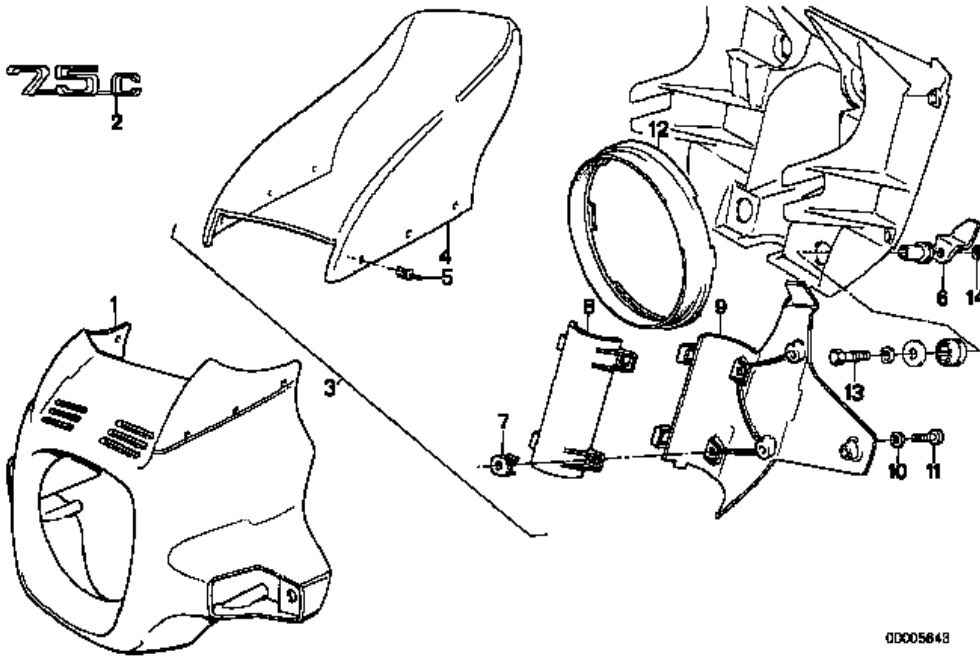


00005648

No.	Description	Supplement	Qty	From	Up To	Part Number	AT	R	TI
1	COCKPIT TRIM PANEL								
1	COCKPIT TRIM PANEL	COLUMBIASILBE	1			46 63 1 455 842	E		
1	COCKPIT TRIM PANEL	ALASKABLAU	1			46 63 1 456 700			
1	COCKPIT TRIM PANEL	BAJARED	1			46 63 1 456 701			
1	COCKPIT TRIM PANEL	DOLOMITGRAU	1			46 63 1 456 702			
1	COCKPIT TRIM PANEL	DIAMANTGRAU	1			46 63 1 456 890			
1	COCKPIT TRIM PANEL	ROT	1			46 63 1 456 910			
1	COCKPIT TRIM PANEL	MADISON	1			46 63 1 456 939			
1	COCKPIT TRIM PANEL	POLARIS	1			46 63 1 456 946			
1	COVERING COCKPIT PRIME COATED		1			46 63 2 303 144			
FOR VEHICLES WITH									
NATIONAL VERSION CANADA									
3	INSTALLING SET COCKPIT TRIM	Y732A = YES	1			46 63 2 303 518	E		T
FOR VEHICLES WITH									
NATIONAL VERSION CANADA									
CONSISTING OF									
4	SLIPSTREAM DEFLECTOR		1			46 63 1 456 020			
CONSISTING OF									
5	EXPANDING RIVET		6			51 16 1 881 149			
6	STOPPER LEFT								
CONSISTING OF									
6	STOPPER LEFT		1			46 63 2 303 411			
6	STOPPER RIGHT		1			46 63 2 303 412			
CONSISTING OF									

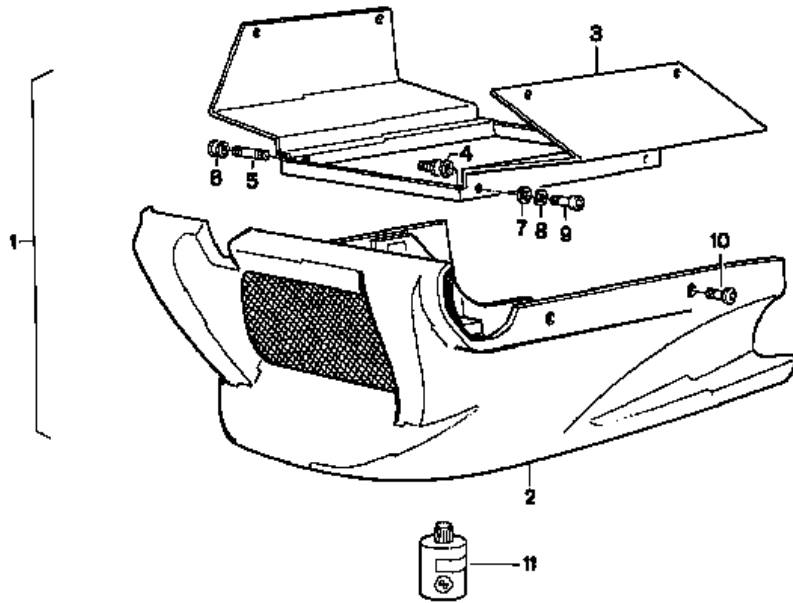
Diagrams 46_0147 COCKPIT TRIM PANEL

Series: K100-K100LT..83-91



No.	Description	Supplement	Qty	From	Up To	Part Number	AT	R	TI
FOR VEHICLES WITH									
NATIONAL VERSION CANADA									
CONSISTING OF									
4	SLIPSTREAM DEFLECTOR		1			46 63 1 456 020			
CONSISTING OF									
5	EXPANDING RIVET		6			51 16 1 881 149			
6	STOPPER LEFT								
CONSISTING OF									
6	STOPPER LEFT		1			46 63 2 303 411			
6	STOPPER RIGHT		1			46 63 2 303 412			
CONSISTING OF									
7	CAGE NUT	M6	4			07 12 9 926 512			
8	BRACKET		2			46 63 2 303 146			
9	COVERING LEFT								
CONSISTING OF									
9	COVERING LEFT		1			46 63 2 303 117			
9	COVERING RIGHT		1			46 63 2 303 118			
CONSISTING OF									
10	FLAT WASHER	6,4	8			07 11 9 931 639			
11	FILLISTER-HEAD SCREW	M6X12	8			07 11 9 920 069			
12	RING		1			63 12 2 303 338			
13	HEX BOLT	M6X35	1			07 11 9 901 189			
14	RING		1			46 63 2 303 421			

Diagrams 46_0170 ENGINE SPOILER
 Series: K100-K100LT..83-91

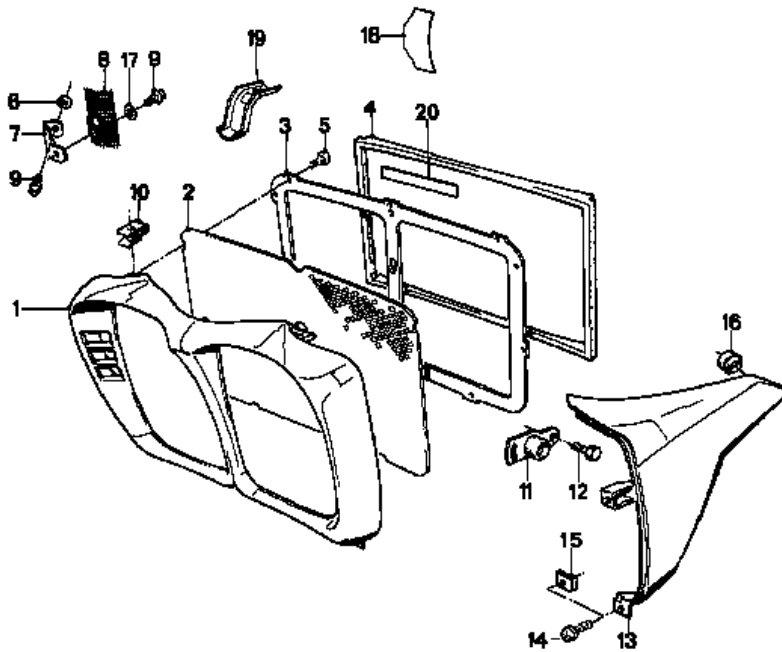


00005685

No.	Description	Supplement	Qty	From	Up To	Part Number	AT	R	TI
1	SUPPLEMENTARY SET MOTOR SPOILER		1			46 63 2 303 627			T
2	ENGINE SPOILER		1			46 63 2 303 625			
3	BRACKET		1			46 63 2 303 626			
4	RUBBER MOUNTING		2			71 60 2 303 838			
5	THREADED BOLT	M8X32	2			71 60 2 303 845			
6	GROMMET		2			71 60 2 303 840			
7	FLAT WASHER	A8,4-ZNS	2			07 11 9 931 019			
8	WAVE WASHER	B8	2			07 11 9 932 095			
9	FILLISTER-HEAD SCREW	M8X10	2			07 11 9 918 849			
10	FILLISTER HEAD SCREW	M8X16	4			71 60 2 303 846			
11	GASKET	LOCTITE 243	1			07 58 9 056 031			I

Diagrams 46_0105 RADIATOR TRIM

Series: K100-K100LT..83-91

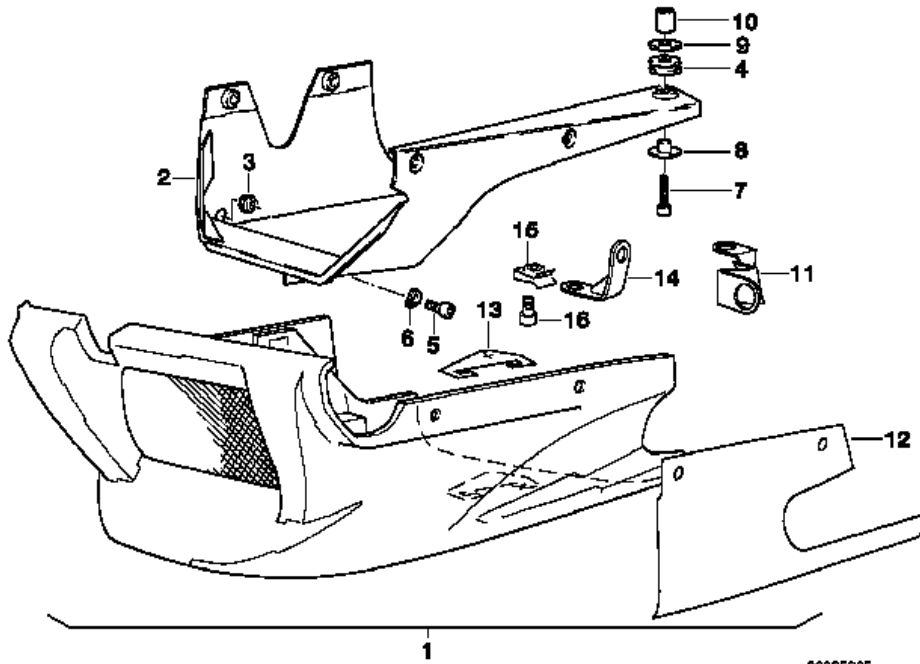


00005601

No.	Description	Supplement	Qty	From	Up To	Part Number	AT	R	TI
1	RADIATOR TRIM PANEL PRIME COATED CENTER		1			46 63 1 450 633			
2	GRID		1			46 63 1 450 941			
3	FRAME		1			46 63 1 450 942			
4	SEALING STRIP	300MM	3			46 63 2 312 922			
5	FILLISTER HEAD SELF-TAPPING SCREW	ST3,5X9,5-Z1	8			07 11 9 907 913			
6	FLAT WASHER		1			13 73 0 642 119			
7	SUPPORT		1			46 63 1 450 634			
8	GRID		1			46 63 1 450 677			
9	FILLISTER-HEAD SCREW	M5X8	2			12 31 2 322 411			
10	CLAMP		2			46 63 1 450 689			
11	SHACKLE		2			46 63 1 450 688			
12	HEX BOLT								
12	HEX BOLT	M5X10	3			07 11 9 913 109			
12	HEX BOLT WITH WASHER	M5X12-Z1	1			07 11 9 915 002			
13	RADIATOR TRIM PANEL PRIME COATED LEFT								
13	RADIATOR TRIM PANEL PRIME COATED LEFT		1			46 63 1 453 155			
13	RADIATOR TRIM PANEL PRIME COATED RIGHT		1			46 63 1 453 156			
14	FILLISTER HEAD SELF-TAPPING SCREW	ST4,2X19-Z2	4			07 11 9 907 809	E		
15	BODY NUT	ST4,2-4	2			07 12 9 925 708			
16	RUBBER GROMMET		4			46 63 1 453 144			
17	WAVE WASHER	B5	2			07 11 9 932 098			
18	FOIL		1			46 63 1 453 362			
19	BRACKET		1			46 63 1 453 527			
20	SEALING STRIP	365X8X2MM	1			46 63 1 453 980			

Diagrams 46_0309 MOUNTING PARTS SET

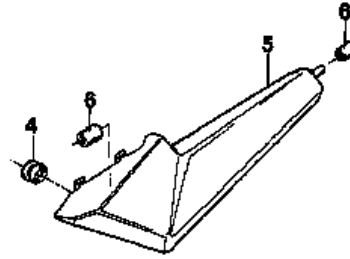
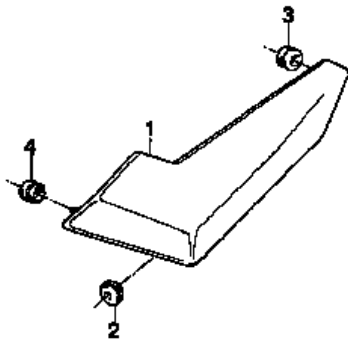
Series: K100-K100LT..83-91



00005905

No.	Description	Supplement	Qty	From	Up To	Part Number	AT	R	TI
1	MOUNTING PARTS SET F ENGINE SPOILER,CAT.		1			46 63 2 316 477	E		
2	BRACKET		1			46 63 2 315 474			
3	GROMMET		2			71 60 2 303 840			
4	GROMMET		1			46 63 1 451 277			
5	FILLISTER-HEAD SCREW	M8X16-ZNS	1			07 11 9 901 023			
6	FLAT WASHER	8,4	1			07 11 9 931 697			
7	FILLISTER-HEAD SCREW	M6X45	1			46 61 2 322 495			
8	BUSH		1			46 63 1 451 275			
9	FLAT WASHER	6,4	1			46 63 1 451 276			
10	BUSH		1			46 54 2 315 447			
11	BRACKET		1			46 63 2 316 445			
12	JIP		1			46 63 2 316 444			
13	JIP		1			46 63 2 316 456			
14	SUPPORT LEFT		1			34 52 1 458 015			
15	NUT HOLDER	M6-ZNS	1			61 21 1 366 389	E		
16	FILLISTER HEAD SCREW		1			18 22 1 464 332			

Diagrams 46_0150 BATTERY COVER
 Series: K100-K100LT..83-91

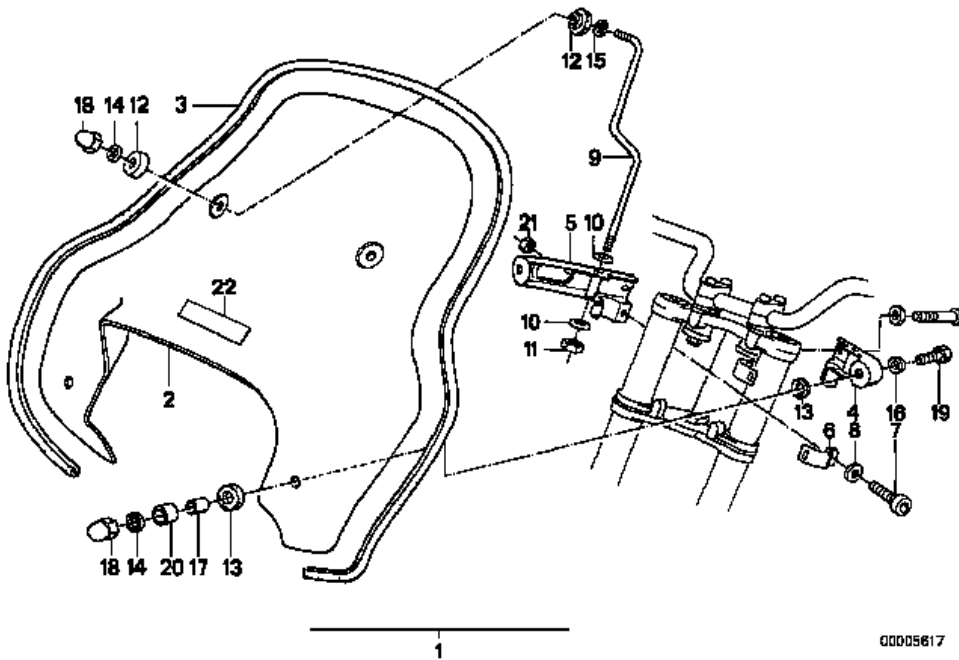


00005648

No.	Description	Supplement	Qty	From	Up To	Part Number	AT	R	TI
1	BATTERY COVER LEFT PRIME COATED								
	FOR VEHICLES WITH								
	OFFICIAL VEHICLES	= YES							
	AND								
	>BEHÖRDENUMFANG EINZELSITZ	X641A = YES							
	>OR								
	>BEHÖRDENUMF. EINZELSITZ MIT FUNKK.	X642A = YES							
1	BATTERY COVER LEFT PRIME COATED		1			46 63 1 453 623			
1	BATTERY COVER RIGHT PRIME COATED		1			46 63 1 453 624			
	FOR VEHICLES WITH								
	OFFICIAL VEHICLES	= YES							
	AND								
	>BEHÖRDENUMFANG EINZELSITZ	X641A = YES							
	>OR								
	>BEHÖRDENUMF. EINZELSITZ MIT FUNKK.	X642A = YES							
2	GROMMET		2			46 63 1 236 510			
3	RUBBER GROMMET		2			46 63 1 453 339			
4	RUBBER GROMMET		2			46 63 1 453 144			
5	BATTERY COVER LEFT PRIME COATED								
5	BATTERY COVER LEFT PRIME COATED		1	09/85		46 63 1 455 723			
5	BATTERY COVER RIGHT PRIME COATED		1	09/85		46 63 1 455 724			
6	GROMMET								
6	GROMMET		2	09/85		46 63 1 452 400			
6	BUSH		2	09/85		52 53 1 456 054			

Diagrams 46_0121 WINDSHIELD

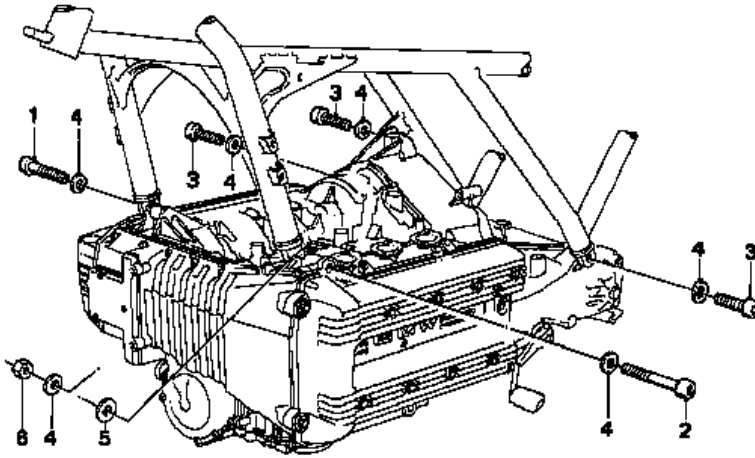
Series: K100-K100LT..83-91



No.	Description	Supplement	Qty	From	Up To	Part Number	AT	R	TI
1	SET WINDSHIELD WITH FASTENING	760MM	1			46 63 2 300 116		1	T
2	WINDSHIELD		1			46 63 2 303 245		1	
3	EDGE PROTECTION	1850MM	1			46 63 2 303 032			
4	BRACKET LEFT		1			46 63 2 300 113			
5	BRACKET RIGHT		1			46 63 2 300 114			
6	CLAMP		2			46 63 2 300 135			
7	FILLISTER-HEAD SCREW	M6X16-ZNS	2			07 11 9 901 438			
8	FLAT WASHER	6,4-ZNS	2			07 11 9 931 018			
9	ROD EXCHANGEABLE IN PAIRS ONLY		2			46 63 2 315 225			
10	FLAT WASHER	A8,4-ZNS	4			07 11 9 931 019			
11	SELF-LOCKING HEX NUT	M8	2			07 12 9 964 675			
12	GROMMET		4			46 63 1 233 619			
13	GROMMET		4			46 63 2 300 375			
14	FLAT WASHER		4			46 63 2 300 371			
15	FLAT WASHER		2			07 11 9 931 019			
15	FLAT WASHER	A8,4-ZNS	2			46 63 2 300 376			
16	FLAT WASHER	6,4	2		04/92	07 11 9 936 425			
17	BUSH		2			46 63 2 300 373			
18	CAP NUT	M6	4			46 63 2 300 370			
19	HEX BOLT	M6X20	2		04/92	07 11 9 913 477			
20	BUSH		2			46 63 2 300 372			
21	SELF-LOCKING HEX NUT	M6	2		04/92	07 12 9 922 705			
22	LABEL		1			46 63 1 453 085			

Diagrams 46_0108 ENGINE SUSPENSION

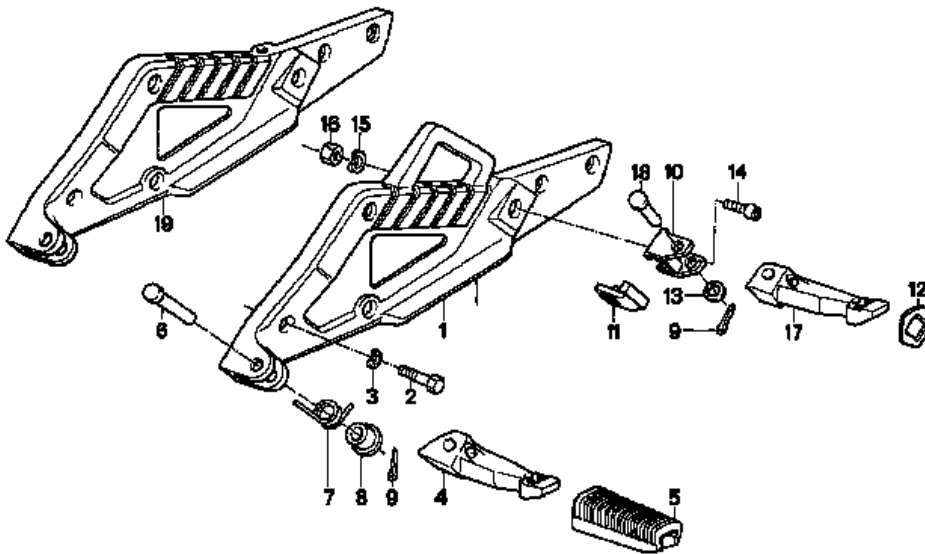
Series: K100-K100LT..83-91



00006804

No.	Description	Supplement	Qty	From	Up To	Part Number	AT	R	TI
1	FILLISTER-HEAD SCREW	M10X45	1			07 11 9 901 088			
2	FILLISTER-HEAD SCREW	M10X60	1			07 11 9 901 107			
3	FILLISTER-HEAD SCREW	M10X35	3			07 11 9 901 064			
4	FLAT WASHER	A10,5	5			07 11 9 931 020			
5	SPACER RING								
5	SPACER RING	1,00MM	X			46 71 2 311 547			
5	SPACER RING	1,25MM	X			46 71 2 311 548			
5	SPACER RING	1,50MM	X			46 71 2 311 549			
5	SPACER RING	1,75MM	X			46 71 2 311 550			
5	SPACER RING	2,00MM	X			46 71 2 311 551			
5	SPACER RING	2,25MM	X			46 71 2 311 552			
5	SPACER RING	2,50MM	X			46 71 2 311 553			
5	SPACER RING	2,75MM	X			46 71 2 311 554			
5	SPACER RING	3,00MM	X			46 71 2 311 555			
5	SPACER RING	3,25MM	X			46 71 2 311 556			
5	SPACER RING	3,50MM	X			46 71 2 311 557			
5	SPACER RING	3,75MM	X			46 71 2 311 558			
5	SPACER RING	4,00MM	X			46 71 2 311 559			
5	SPACER RING	4,25MM	X			46 71 2 311 560			
5	SPACER RING	4,50MM	X			46 71 2 311 561			
5	SPACER RING	4,75MM	X			46 71 2 311 562			
5	SPACER RING	5,00MM	X			46 71 2 311 563			
5	SPACER RING	5,25MM	X			46 71 2 311 564			
5	SPACER RING	5,50MM	X			46 71 2 311 565	E		
5	SPACER RING	0,50MM	X			46 71 2 312 160			
5	SPACER RING	0,75MM	X			46 71 2 312 161			

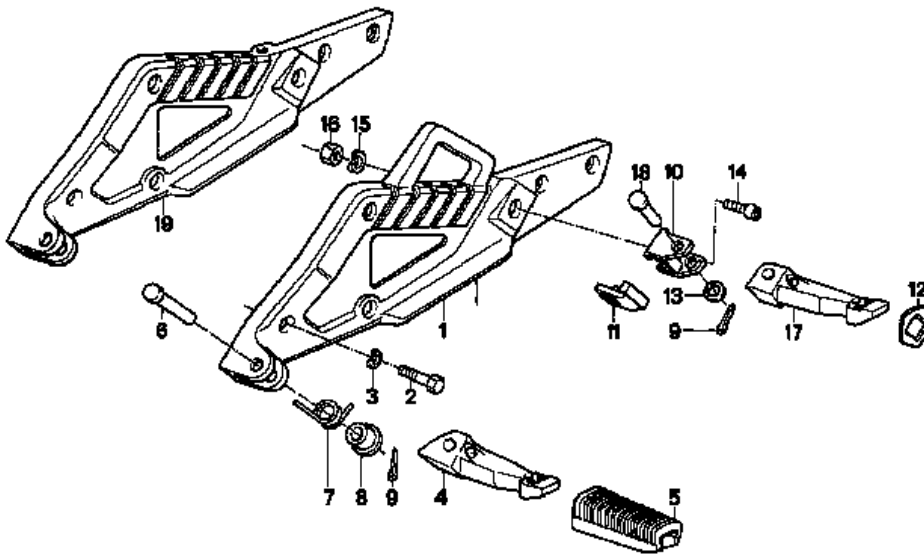
Diagrams 46_0369 FOOTPEG PLATE/FOOTPEG
 Series: K100-K100LT..83-91



00005671

No.	Description	Supplement	Qty	From	Up To	Part Number	AT	R	TI
	FG* 09/85								
1	PLATE LEFT								
1	PLATE LEFT		1			46 71 1 454 485			
1	PLATE RIGHT		1			46 71 1 457 234			
--	ONLY IN CONJUNCTION WITH REAR STOP LIGHT SWITCH								
--	REAR STOP LIGHT SWITCH		1			61 31 1 459 588		1	
2	FILLISTER-HEAD SCREW	M8X30	6			07 11 9 901 025			
3	WAVE WASHER	B8	6			07 11 9 932 121			
4	FOOTREST, LEFT								
4	FOOTREST, LEFT		1			46 71 1 454 253			
4	FOOTREST, RIGHT		1			46 71 1 454 254			
5	BUSHING		4			46 71 1 454 887			
6	PIN	8X55	2			46 71 1 451 220			
7	RETAINER SPRING LEFT								
7	RETAINER SPRING LEFT		1			46 71 1 451 643			
7	RETAINER SPRING RIGHT		1			46 71 1 451 644			
8	SLEEVE		2			46 71 1 451 632			
9	SPLIT PIN	2X16	4			07 11 9 945 076			
10	SUPPORTING BRACKET								
10	SUPPORTING BRACKET		2			46 71 1 457 390			
--	ONLY IN CONJUNCTION WITH STOPPER								
--	STOPPER		2			46 71 1 457 392			
12	FLAT WASHER		2			46 71 1 454 388			
13	FLAT WASHER	A8,4-ZNS	2			07 11 9 931 019			

Diagrams 46_0369 FOOTPEG PLATE/FOOTPEG
Series: K100-K100LT..83-91

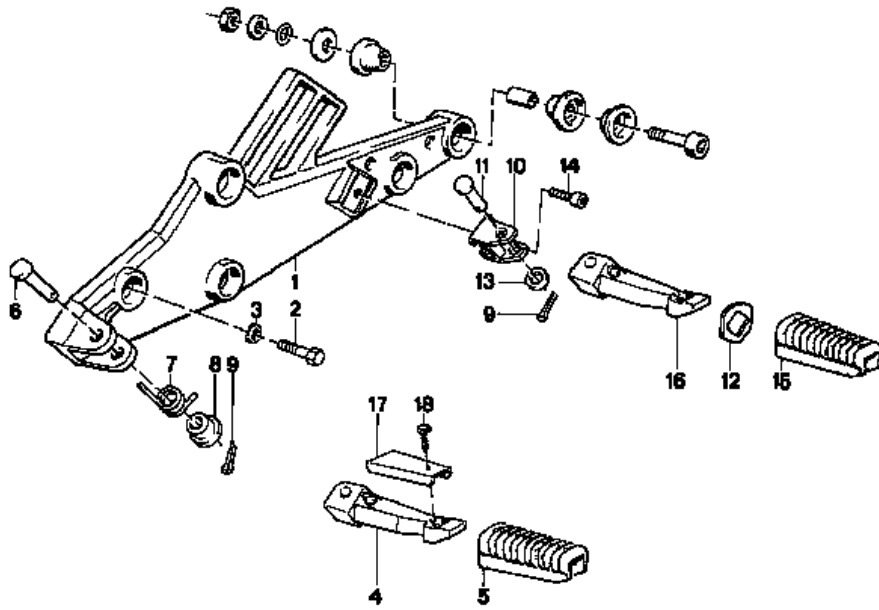


00005671

No.	Description	Supplement	Qty	From	Up To	Part Number	AT	R	TI
2	FILLISTER-HEAD SCREW	M8X30	6			07 11 9 901 025			
3	WAVE WASHER	B8	6			07 11 9 932 121			
4	FOOTREST, LEFT								
4	FOOTREST, LEFT		1			46 71 1 454 253			
4	FOOTREST, RIGHT		1			46 71 1 454 254			
5	BUSHING		4			46 71 1 454 887			
6	PIN	8X55	2			46 71 1 451 220			
7	RETAINER SPRING LEFT								
7	RETAINER SPRING LEFT		1			46 71 1 451 643			
7	RETAINER SPRING RIGHT		1			46 71 1 451 644			
8	SLEEVE		2			46 71 1 451 632			
9	SPLIT PIN	2X16	4			07 11 9 945 076			
10	SUPPORTING BRACKET								
10	SUPPORTING BRACKET		2			46 71 1 457 390			
--	ONLY IN CONJUNCTION WITH STOPPER		2			46 71 1 457 392			
12	FLAT WASHER		2			46 71 1 454 388			
13	FLAT WASHER	A8,4-ZNS	2			07 11 9 931 019			
14	FILLISTER-HEAD SCREW								
14	FILLISTER-HEAD SCREW	M10X1,5X30	2			07 11 9 901 059			
14	FILLISTER-HEAD SCREW	M10X25	2			07 11 9 920 150			
15	WAVE WASHER	B10	2			07 11 9 932 122			
16	SELF-LOCKING HEX NUT	M10	2			07 12 9 964 676			
17	FOOTREST, REAR LEFT								
17	FOOTREST, REAR LEFT		1			46 71 1 454 535			
17	FOOTREST, REAR RIGHT		1			46 71 1 454 536			
18	PIN		2			46 71 1 451 237			

Diagrams 46_0152 FOOTPEG PLATE/FOOTPEG

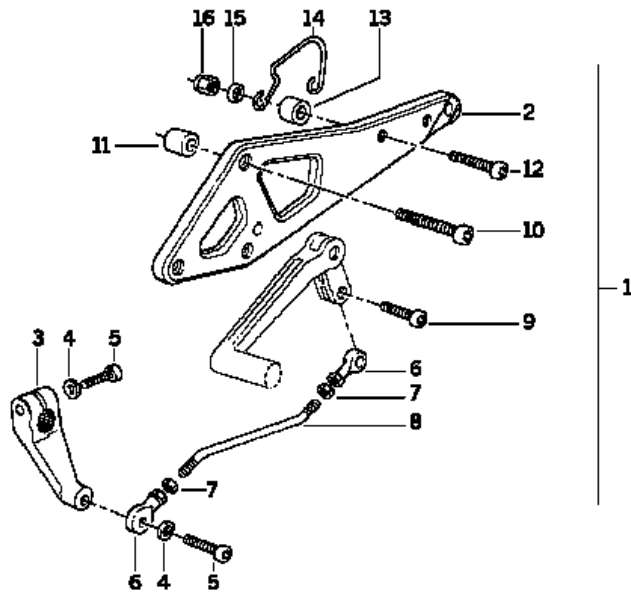
Series: K100-K100LT..83-91



00005648

No.	Description	Supplement	Qty	From	Up To	Part Number	AT	R	TI
	*FG 09/85								
1	FOOTREST PLATE, LEFT								
1	FOOTREST PLATE, LEFT		1			46 71 1 454 937		1	
1	FOOTPEG PLATE RIGHT		1			46 71 1 454 938		1	
2	FILLISTER-HEAD SCREW	M8X40	6			07 11 9 901 029			
3	WAVE WASHER	B8	6			07 11 9 932 121			
4	FOOTREST, LEFT								
4	FOOTREST, LEFT		1			46 71 1 454 253			
4	FOOTREST, RIGHT		1			46 71 1 454 254			
5	BUSHING		2			46 71 1 454 887			
6	PIN	8X55	2			46 71 1 451 220			
7	RETAINER SPRING LEFT								
7	RETAINER SPRING LEFT		1			46 71 1 451 643			
7	RETAINER SPRING RIGHT		1			46 71 1 451 644			
8	SLEEVE		2			46 71 1 451 632			
9	SPLIT PIN	2X16	4			07 11 9 945 076			
10	SUPPORTING BRACKET		2			46 71 1 457 390			
11	PIN		2			46 71 1 451 237			
12	FLAT WASHER		2			46 71 1 454 388			
13	FLAT WASHER	A8,4-ZNS	2			07 11 9 931 019			
14	FILLISTER-HEAD SCREW	M10X25	2			07 11 9 920 150			
15	BUSHING		2			46 71 1 454 887			
16	FOOTREST, REAR LEFT								
16	FOOTREST, REAR LEFT		1			46 71 1 454 535			
16	FOOTREST, REAR RIGHT		1			46 71 1 454 536			
17	SHIELD		2			46 71 1 454 941	E		
18	FILLISTER HEAD SELF-TAPPING SCREW	ST4,8X16-Z2	2			07 11 9 907 975			

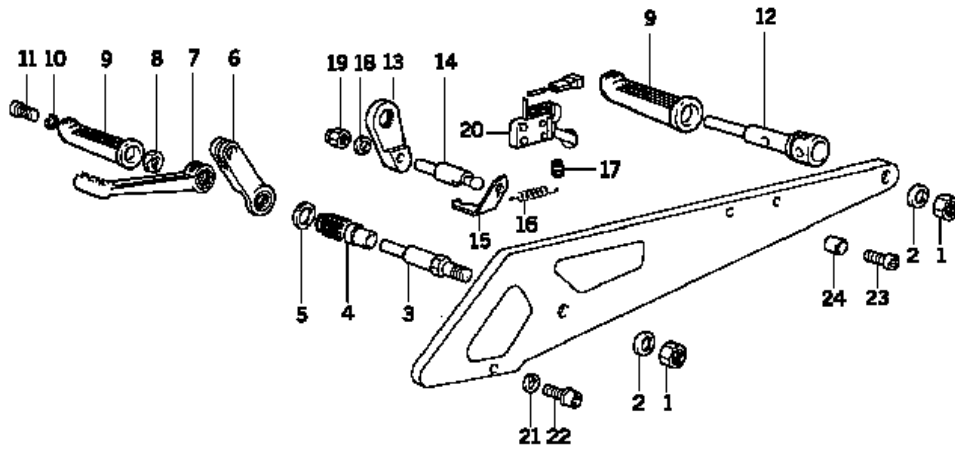
Diagrams 46_0201 SUPPLEMENTARY SET FOOTPEG
Series: K100-K100LT..83-91



00005698

No.	Description	Supplement	Qty	From	Up To	Part Number	AT	R	TI
1	SUPPLEMENTARY SET FOOTPEG		1	09/85		46 51 2 315 760			
2	FOOTREST PLATE, LEFT		1	09/85		46 51 2 315 763		1	
2	FOOTREST PLATE, LEFT		1	09/85		46 51 2 315 764		1	
2	FOOTPEG PLATE RIGHT		1	09/85		23 31 1 461 998			
3	SHIFT LEVER		1	09/85		07 11 9 932 099			
4	WAVE WASHER	B6	2	09/85		23 11 2 322 407			
5	FILLISTER-HEAD SCREW	M6X20	2	09/85		46 51 2 315 782			
6	JOINT LINK		2	09/85					
7	HEX NUT		2	09/85	08/96	23 11 2 322 368	AE		
7	HEX NUT	M6	2	09/85		07 11 9 922 832			
7	HEX NUT	M6-8-ZNS	2	09/85		46 51 2 315 783			
8	SELECTOR ROD		1	09/85		46 51 2 315 781			
9	COUNTERSUNK HEAD SCREW	M6X16	1	09/85					
10	FILLISTER-HEAD SCREW		4	09/85		07 11 9 901 029			
10	FILLISTER-HEAD SCREW	M8X40	2	09/85		07 11 9 901 035			
10	FILLISTER-HEAD SCREW	M8X55	2	09/85					
11	BUSH		2	09/85		46 51 2 315 793			
11	BUSH	32MM,D=18MM	4	09/85		46 51 2 315 794			
11	BUSH	18MM,D=18MM	2	09/85					
12	FILLISTER-HEAD SCREW		2	09/85		07 11 9 919 625			
12	FILLISTER-HEAD SCREW	M6X25-ZNS	2	09/85		07 11 9 919 628			
12	FILLISTER-HEAD SCREW	M6X40	2	09/85					
13	BUSH	10MM,D=18MM	2	09/85		46 51 2 315 792			
14	BOW		2	09/85		46 71 2 311 822			
15	FLAT WASHER	6,4-ZNS	4	09/85		07 11 9 931 018			
16	SELF-LOCKING HEX NUT	M6	4	09/85		07 12 9 900 191			

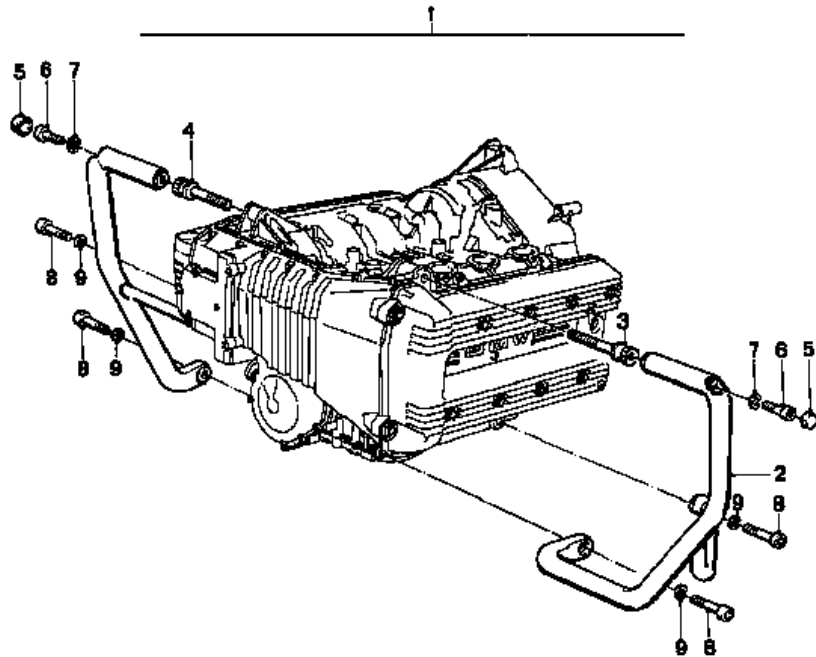
Diagrams 46_0203 SUPPLEMENTARY SET FOOTPEG
 Series: K100-K100LT..83.91



00005700

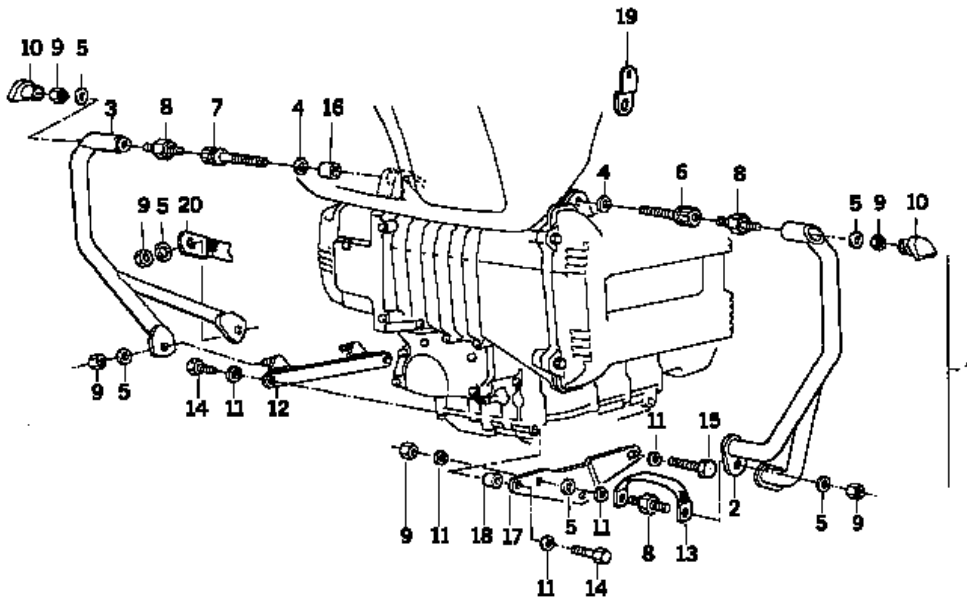
No.	Description	Supplement	Qty	From	Up To	Part Number	AT	R	TI
1	HEX NUT	M12	4	09/85		07 12 9 964 679			
2	FLAT WASHER	A13	4	09/85		07 11 9 931 021			
3	BRACKET		2	09/85		46 51 2 315 778			
4	CONNECTOR		2	09/85		46 51 2 315 775			
5	LOCK RING		2	09/85		46 51 2 315 776			
6	SHIFTING FORK		1	09/85		46 51 2 315 780			
7	LEVER		2	09/85		46 51 2 315 779			
8	HEX NUT		2	09/85		46 51 2 315 777			
9	FOOTREST		4	09/85		46 51 2 315 766		1	
10	SPRING WASHER	B6	4	09/85		07 11 9 933 082			
11	FILLISTER-HEAD SCREW	M6X30	4	09/85		31 42 2 311 105			
12	BRACKET		2	09/85		46 51 2 315 767			
13	COUPLING YOKE		1	09/85		35 21 2 315 786			
14	REAR BRAKE CAM		1	09/85		35 21 2 315 787			
15	SUPPORT		1	09/85		46 51 2 315 788			
16	SPRING		1	09/85		71 60 2 315 790			
17	PIN		1	09/85		46 51 2 315 789			
18	FLAT WASHER	A8,4-ZNS	1	09/85		07 11 9 931 019			
19	SELF-LOCKING HEX NUT	M8	1	09/85		07 12 9 964 675			
20	REAR STOP LIGHT SWITCH		1	09/85		61 31 1 459 588		1	
21	FLAT WASHER	5,3-ZNS	2	09/85		07 11 9 931 029			
22	FILLISTER-HEAD SCREW	M5X10	2	09/85		12 13 2 322 416			
23	FILLISTER-HEAD SCREW	M6X20	2	09/85		23 11 2 322 407			
24	BUSH	8MM,D=12MM	2	09/85		46 51 2 315 791			

Diagrams 46_0110 ENGINE PROTECTION BAR
 Series: K100-K100LT..83-91



No.	Description	Supplement	Qty	From	Up To	Part Number	AT	R	TI
1	ENGINE PROTECTION BAR SET								
1	ENGINE PROTECTION BAR SET	CR	1			46 71 2 300 151	AE		
1	ENGINE PROTECTION BAR SET	CR	1			46 71 2 303 061		1	
2	LEFT ENGINE PROTECTION BAR								
2	LEFT ENGINE PROTECTION BAR	SW	1			46 71 2 300 167	E		
2	RIGHT ENGINE PROTECTION BAR	SW	1			46 71 2 300 168	E		
2	LEFT ENGINE PROTECTION BAR	CR	1			46 71 2 300 171	E		
2	RIGHT ENGINE PROTECTION BAR	CR	1			46 71 2 300 172	E		
3	SCREW	M10X55	1			46 71 1 451 175			
4	SCREW	M10X45	1			46 71 1 451 176			
5	CAP		2			46 71 2 300 161			
6	FILLISTER-HEAD SCREW	M10X25	2			07 11 9 919 682			
7	SPRING WASHER	B10	2			07 11 9 933 110			
8	FILLISTER-HEAD SCREW	M8X25	4			07 11 9 901 024			
9	WAVE WASHER	B8	4			07 11 9 932 121			

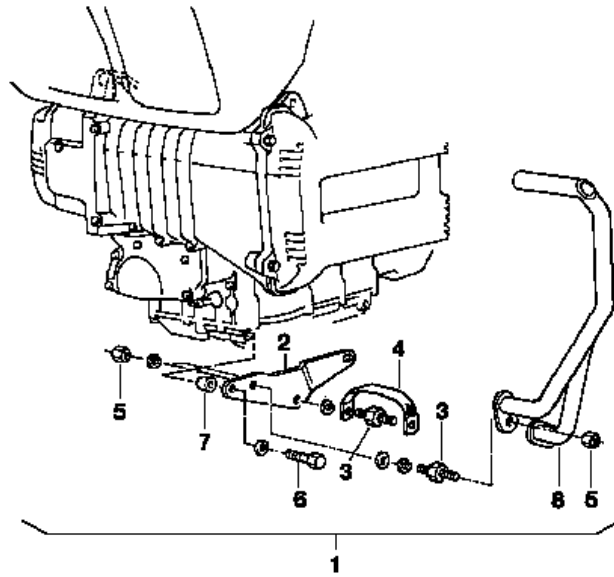
Diagrams 46_0127 ENGINE PROTECTION BAR
 Series: K100-K100LT..83-91



00005823

No.	Description	Supplement	Qty	From	Up To	Part Number	AT	R	TI
	NOT SUITABLE FOR ENGINE SPOILER								
1	ENGINE PROTECTION BAR SET								
1	ENGINE PROTECTION BAR SET	CR	1			46 71 2 303 061		1	
1	ENGINE PROTECTION BAR SET	SW	1			46 71 2 303 062		1	
2	LEFT ENGINE PROTECTION BAR								
2	LEFT ENGINE PROTECTION BAR	CR	1			46 71 2 303 063	AE		
2	SAFETY BAR, LEFT	CR	1			46 71 2 303 073		1	
2	LEFT ENGINE PROTECTION BAR	SW	1			46 71 2 303 065	E		
3	RIGHT ENGINE PROTECTION BAR								
3	RIGHT ENGINE PROTECTION BAR	CR	1			46 71 2 303 064	AE		
3	SAFETY BAR, RIGHT	CR	1			46 71 2 303 072	E	1	
3	RIGHT ENGINE PROTECTION BAR	SW	1			46 71 2 303 066	E		
4	FLAT WASHER	A10,5	2			07 11 9 931 020			
5	FLAT WASHER	A8,4-ZNS	6			07 11 9 931 019			
6	SCREW	M10X65	1			46 71 2 303 080			
7	SCREW	M10X65	1			46 71 2 303 080			
8	RUBBER MOUNTING		4			46 71 2 303 070			
9	SELF-LOCKING HEX NUT	M8	6			07 12 9 964 675			
10	CAP		2			46 71 2 300 161			
11	WAVE WASHER	B8	4			07 11 9 932 121			
12	RUBBER MOUNTING		1			46 71 2 303 068			
13	EARTH STRAP		2			65 31 1 459 559			
14	HEX BOLT	M8X20-ZNS	2			07 11 9 901 120			
16	SPACER BUSHING		1			46 71 2 303 069			

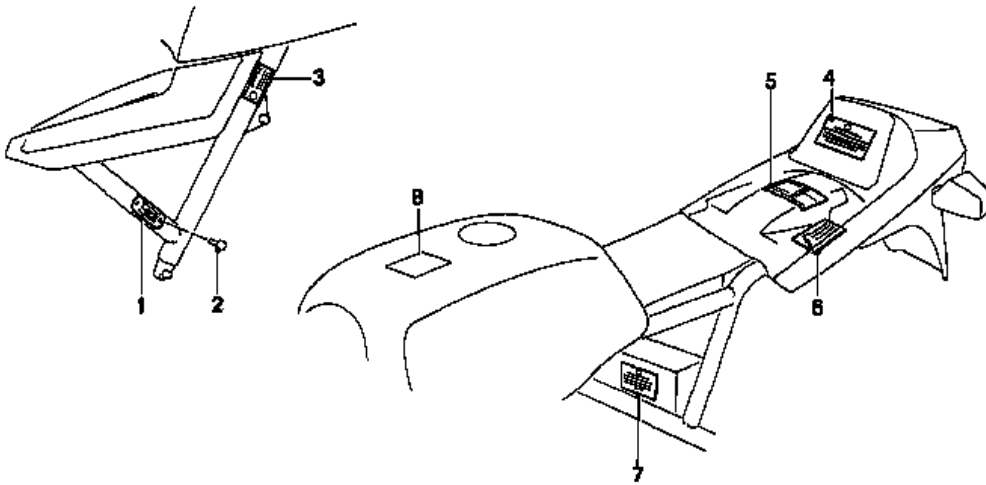
Diagrams 46_0310 MODIFICATION KIT F SAFETY BAR, CATALYST
 Series: K100-K100LT..83-91



0000E008

No.	Description	Supplement	Qty	From	Up To	Part Number	AT	R	TI
1	MODIFICATION KIT F SAFETY BAR, CATALYST	CR	1			46 71 2 316 572	E		
2	BRACKET		1			46 71 2 315 668			
3	RUBBER MOUNTING		2			46 71 2 303 070			
4	EARTH STRAP		1			65 31 1 459 559			
5	SELF-LOCKING HEX NUT	M8	4			07 12 9 964 675			
6	HEX BOLT	M8X35	1			07 11 9 913 111			
7	SPACER BUSHING		1			46 71 2 315 671			
8	LEFT ENGINE PROTECTION BAR	CR	1			46 71 2 315 561			

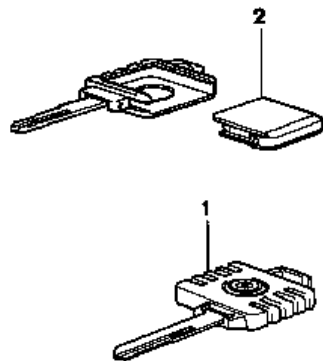
Diagrams 51_2626 PLATE TYPE IDENTIFICATION/LABEL
Series: K100-K100LT..83-91



00008928

No.	Description	Supplement	Qty	From	Up To	Part Number	AT	R	TI
FOR VEHICLES WITH									
NATIONAL VERSION CANADA									
1	TYPE IDENTIFICATION PLATE	Y732A = YES	1			51 14 1 454 232			
3	LABEL "EXHAUST EMISSION"								
FOR VEHICLES WITH									
CALIFORNIA VERSION									
3	LABEL "EXHAUST EMISSION"	= YES	1			51 14 1 461 637			
3	LABEL "EXHAUST EMISSION"	CALIFORNIA 85	1			51 14 1 461 773			
3	LABEL "EXHAUST EMISSION"	USA 86	1	09/85	05/86	51 14 1 461 773			
3	LABEL "EXHAUST EMISSION"	CALIFORNIA 86	1	09/85	05/86	51 14 1 461 774			
4	LABEL "WARRANTY"								
FOR VEHICLES WITH									
NATIONAL VERSION CANADA									
4	LABEL "WARRANTY"	Y732A = YES	1			51 14 1 240 121			
4	LABEL "ORIGINAL BMW TEILE"	USA	1			51 14 2 121 174			
5	LABEL "TIRE PRESSURE"		1	01/85		51 14 1 457 958			
6	LABEL "TRANSISTORIZED IGNITION"		1			71 21 2 122 014			
FOR VEHICLES WITH									
NATIONAL VERSION CANADA									
7	LABEL "BATTERY"	Y732A = YES	1			51 14 1 459 226			
8	LABEL								
8	LABEL	HELM	1			51 14 1 453 617			
FOR VEHICLES WITH									
NATIONAL VERSION AUSTRALIA									
8	LABEL "UNLEADED FUEL"	Y734A = YES	1			51 14 1 874 981			

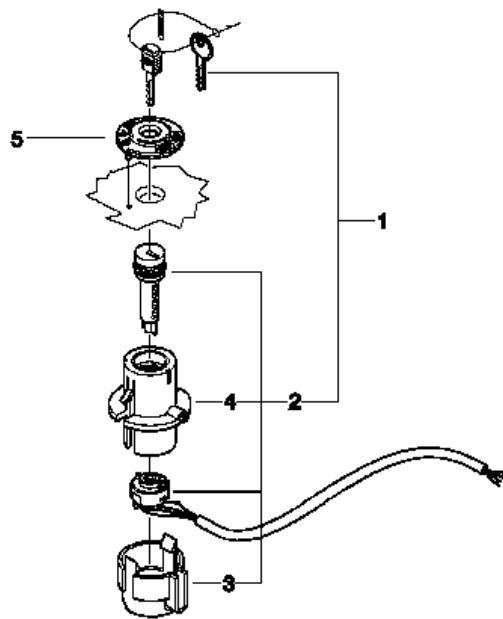
Diagrams 51_0144 KEY HEAD ILLUMINATED
Series: K100-K100LT..83-91



00007043

No.	Description	Supplement	Qty	From	Up To	Part Number	AT	R	TI
1	KEY HEAD ILLUMINATED								
1	KEY HEAD ILLUMINATED		1			51 21 2 315 250	E		
1	KEY HEAD ILLUMINATED	CODE	1			51 21 2 315 252	E	1	
2	LIGHT STORAGE COMPARTMENT		1			51 21 8 105 039			

Diagrams 51_2477 IGNITION/LIGHT SWITCH
Series: K100-K100LT..83-91

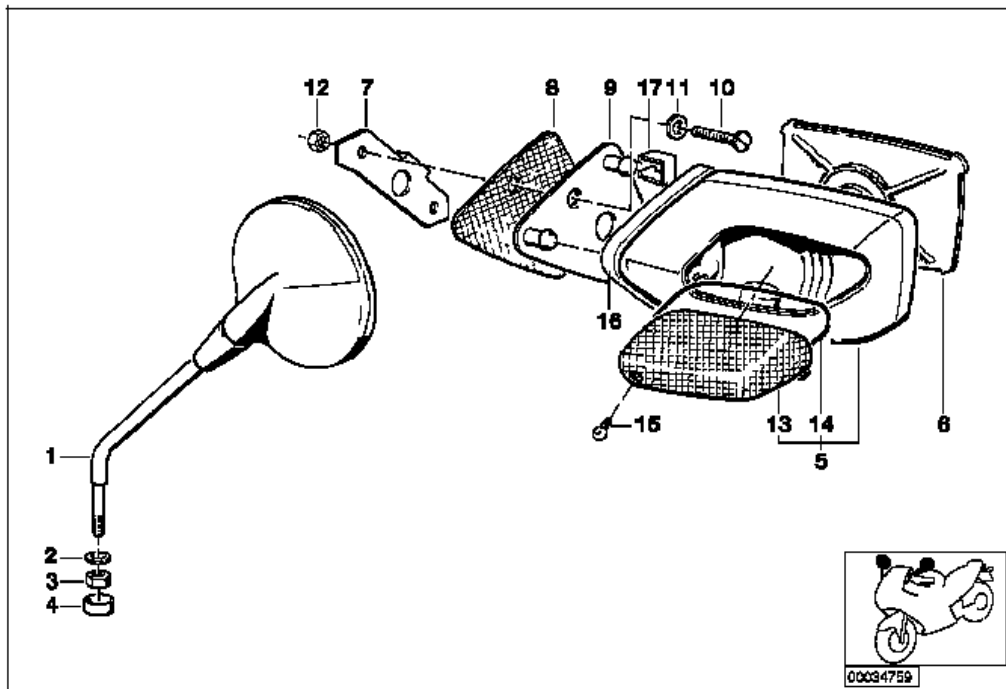


00006956

No.	Description	Supplement	Qty	From	Up To	Part Number	AT	R	TI
1	IGNITION/LIGHT SWITCH		1	04/85		51 25 1 455 412		1	
2	IGNITION/LIGHT SWITCH	CODE	1	04/85		51 25 1 455 411		1	
3	COVERING CAP		1			61 32 1 453 149			
4	HOUSING		1			61 32 1 459 304			
5	STEP PLATE		1			61 32 1 459 319			

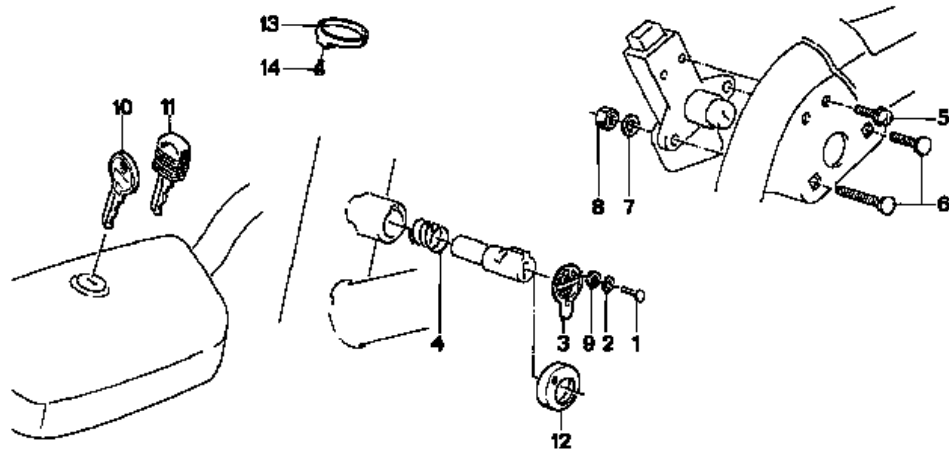
Diagrams 51_2627 MIRROR

Series: K100-K100LT..83-91



No.	Description	Supplement	Qty	From	Up To	Part Number	AT	R	TI
1	REAR VIEW MIRROR FOR HANDLEBAR BOARD HIGH		2			51 16 1 453 078		1	
2	WAVE WASHER	B8	2			07 11 9 932 121			
3	SELF-LOCKING HEX NUT	M8	2			07 12 9 964 675			
4	CAP	M8	2			46 51 1 234 785			

Diagrams 51_2629 SET OF LOCKS
Series: K100-K100LT..83-91

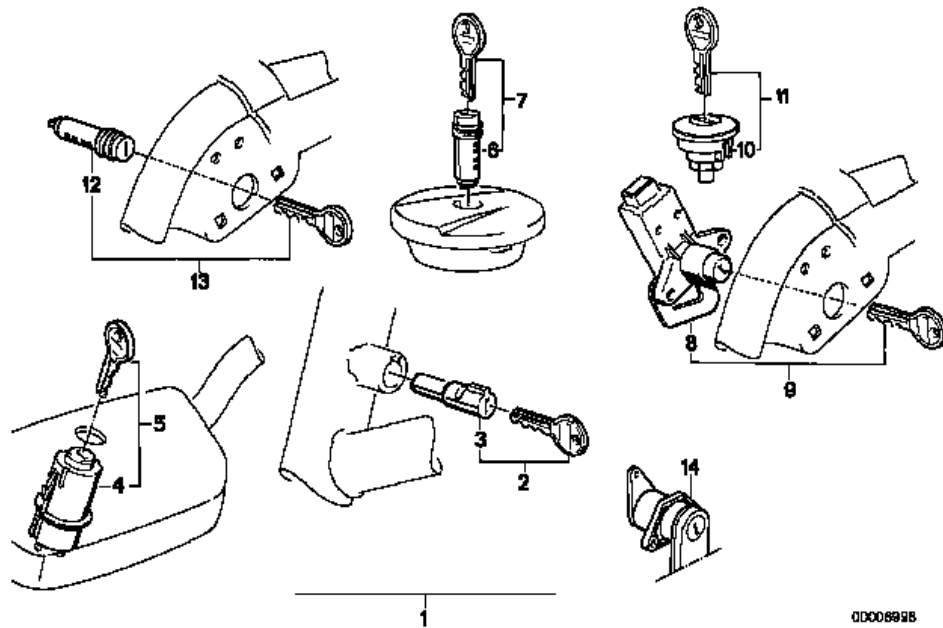


00006989

No.	Description	Supplement	Qty	From	Up To	Part Number	AT	R	TI
1	NOTCHED NAIL	3x9	1			51 25 1 242 647			
2	WAVE WASHER								
2	WAVE WASHER	A3	1			51 25 1 242 648	AE		
2	WAVE WASHER	A3	1			07 11 9 932 009			
3	COVER		1			51 25 1 453 158			
4	COMPRESSION SPRING		1			32 32 9 016 104			
5	SCREW		2			51 25 1 453 383			
6	SAUCER-HEAD SCREW								
6	SAUCER-HEAD SCREW	M5X16	1			07 11 9 910 417			
6	SAUCER-HEAD SCREW	M5X30	1			07 11 9 910 418			
7	FLAT WASHER	5,3-ZNS	2			07 11 9 931 029			
8	SELF-LOCKING HEX NUT								
8	SELF-LOCKING HEX NUT	M5	2		02/96	63 14 2 322 408	AE		
8	HEX NUT	M5	2			07 11 9 964 653			
10	STANDARD KEY (BLANK)								
10	STANDARD KEY (BLANK)		X			51 25 1 233 554			
10	NORMALSCHLÜSSEL (CODE)		X			51 25 1 233 898			
11	FOLDING KEY (CODE)								
11	FOLDING KEY (CODE)		X			51 25 1 453 645			
11	FOLDING KEY (BLANK)		X			51 25 1 453 659			

Diagrams 51_2628 SET OF LOCKS

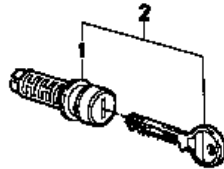
Series: K100-K100LT..83-91



00008928

No.	Description	Supplement	Qty	From	Up To	Part Number	AT	R	TI
1	SET OF LOCKS								
1	SET OF LOCKS		1			51 25 1 459 101	E		
1	SET OF LOCKS		1	04/85		51 25 1 455 679			
FOR VEHICLES WITH OFFICIAL VEHICLES									
1	SET OF LOCKS	= YES	1	04/85	12/87	51 25 1 455 681			
2	STEERING LOCK								
2	STEERING LOCK		1			51 25 1 243 274		1	
2	LOCK		1			51 25 1 453 651			
3	STEERING LOCK	CODE	1			51 25 1 243 499		1	
4	IGNITION/LIGHT SWITCH	CODE	1	04/85		51 25 1 455 411		1	
5	IGNITION/LIGHT SWITCH		1	04/85		51 25 1 455 412		1	
6	FILLER CAP LOCK (WITH KEY CODE)								
6	FILLER CAP LOCK (WITH KEY CODE)		1			51 25 1 453 657			
--	FILLER CAP		X			16 11 1 453 012	E		
6	LOCK (WITH KEY CODE)		1			51 25 1 455 108			
--	FILLER CAP		X			16 11 1 453 641		1	
--	FILLER CAP	SHED	X			16 11 1 453 642	E	1	
7	LOCK								
7	LOCK		1			51 25 1 453 650			
--	FILLER CAP		X			16 11 1 453 012	E		
7	LOCK CYLINDER WITH KEY		1			51 25 1 455 109			
--	FILLER CAP		X			16 11 1 453 641		1	
--	FILLER CAP	SHED	X			16 11 1 453 642	E	1	
8	DUAL SEAT LOCK WITH CODE		1			51 25 1 453 655			
9	DUAL SEAT LOCK		1			51 25 1 453 653			

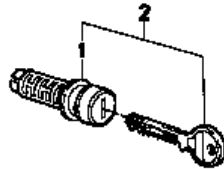
Diagrams 51_0061 SET OF SUITCASE LOCKS
Series: K100-K100LT..83-91



00007028

No.	Description	Supplement	Qty	From	Up To	Part Number	AT	R	TI
	ONLY APPLIES TO VEHICLE UNIFORM LOCKING SYSTEM								
1	LOCK (WITH KEY CODE)								
1	LOCK (WITH KEY CODE) ONLY APPLIES TO		1			51 25 2 303 289			
--	TOP CASE WITH LOCK CYLINDER		X			46 54 2 303 693	E	1	
--	TOP CASE	22L	X			46 54 2 315 022	E		T
--	TOP CASE WITHOUT LOCK CYLINDER	22L	X			46 54 2 324 814		1	
1	LOCK (WITH KEY CODE) ONLY APPLIES TO		X			51 25 2 303 681			
--	SET CITYCASE	SCHWARZ	X			46 54 2 315 023	E		T
--	SET INTEGRAL CASE		X			46 54 2 315 024	AE		
--	SET INTEGRAL CASE	SCHWARZ	X			46 54 2 316 173	E	1	T
--	SET CITYCASE	SCHWARZ	X			46 54 2 316 585	E	1	T
2	TOP CASE WITH LOCK CYLINDER								
2	TOP CASE WITH LOCK CYLINDER		1			46 54 2 303 693	E	1	
2	TOP CASE	22L	1			46 54 2 315 022	E		T
2	SET INTEGRAL CASE		1			46 54 2 315 024	AE		
2	SET INTEGRAL CASE	SCHWARZ	1			46 54 2 316 173	E	1	T
2	TOP CASE WITHOUT LOCK CYLINDER	22L	1			46 54 2 324 814		1	
2	SET OF LOCKS W.KEY CODE	T-C22L+INT-K	1			71 60 2 303 686			
2	SET OF LOCKS W.KEY CODE ONLY APPLIES TO	T-C22L+CITYK.	1			71 60 2 303 690			
--	TOP CASE WITH LOCK CYLINDER		X			46 54 2 303 693	E	1	
--	TOP CASE	22L	X			46 54 2 315 022	E		T

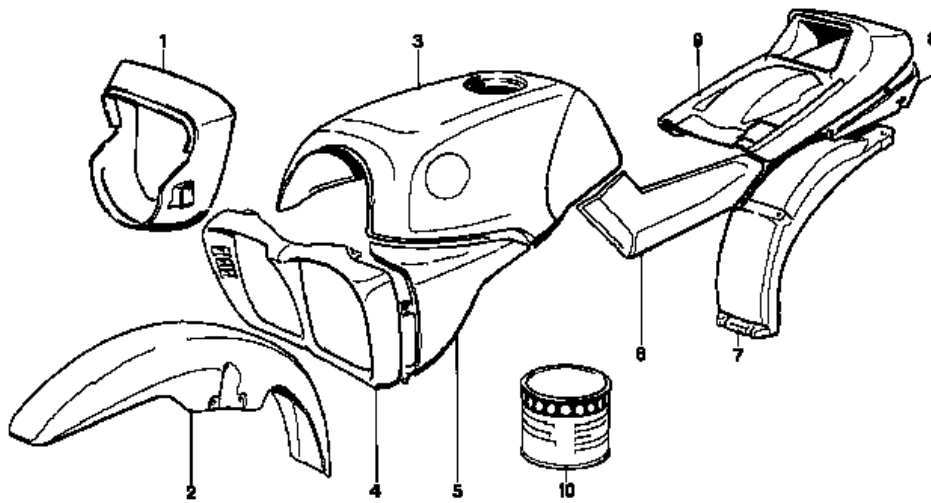
Diagrams 51_0061 SET OF SUITCASE LOCKS
Series: K100-K100LT..83-91



00007028

No.	Description	Supplement	Qty	From	Up To	Part Number	AT	R	TI
--	TOP CASE WITH LOCK CYLINDER		X			46 54 2 303 693	E	1	
--	TOP CASE	22L	X			46 54 2 315 022	E		T
--	SET CITYCASE	SCHWARZ	X			46 54 2 315 023	AE		T
--	SET CITYCASE	SCHWARZ	X			46 54 2 316 585	E	1	T
--	TOP CASE WITHOUT LOCK CYLINDER	22L	X			46 54 2 324 814		1	
2	LOCK CYLINDER WITH KEY ONLY APPLIES TO		1			51 25 2 303 682		1	
--	TOP CASE WITH LOCK CYLINDER		X			46 54 2 303 693	E	1	
--	TOP CASE	22L	X			46 54 2 315 022	E		T
--	TOP CASE WITHOUT LOCK CYLINDER	22L	X			46 54 2 324 814		1	
2	LOCK CYLINDER WITH KEY ONLY APPLIES TO		X			51 25 2 303 680			
--	SET CITYCASE	SCHWARZ	X			46 54 2 315 023	E		T
--	SET INTEGRAL CASE		X			46 54 2 315 024	AE		
--	SET INTEGRAL CASE	SCHWARZ	X			46 54 2 316 173	E	1	T
--	SET CITYCASE	SCHWARZ	X			46 54 2 316 585	E	1	T
2	SET OF LOCKS	CITY	1			51 25 2 303 687		1	
2	SET OF LOCKS ONLY APPLIES TO	CITY CODE	1			71 60 2 303 688			
--	SET CITYCASE	SCHWARZ	X			46 54 2 315 023	AE		T
--	SET CITYCASE	SCHWARZ	X			46 54 2 316 585	E	1	T
2	SET OF LOCKS		1			51 25 2 303 683		1	
2	SET OF LOCKS, CODE ONLY APPLIES TO		1			71 60 2 303 684		1	
--	SET INTEGRAL CASE		X			46 54 2 315 024	AE		
--	SET INTEGRAL CASE	SCHWARZ	X			46 54 2 316 173	E	1	T

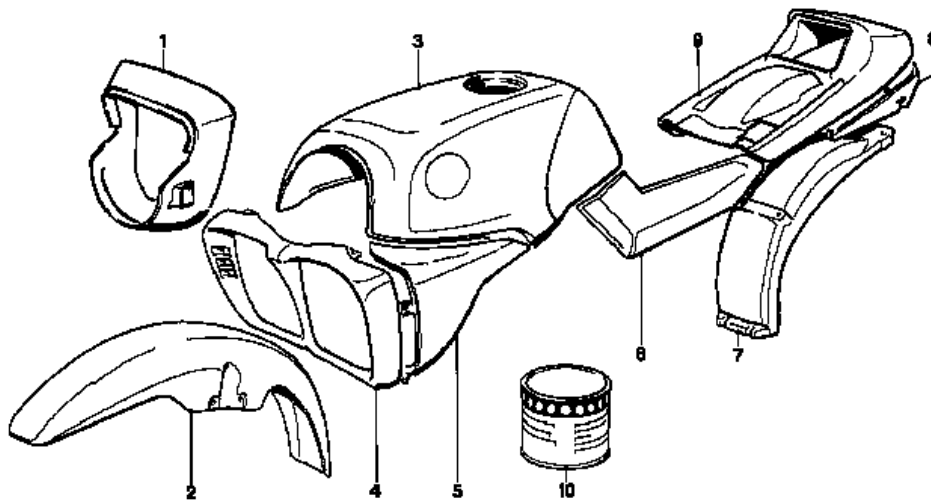
Diagrams 51_2631 PAINTED PARTS 576 POLARIS
Series: K100-K100LT..83-91



00007001

No.	Description	Supplement	Qty	From	Up To	Part Number	AT	R	TI
	PAINT, POLARIS 060								
1	COCKPIT TRIM PANEL	POLARIS	1			62 21 1 453 361	E	1	
2	MUDGUARD FRONT	POLARIS	1			46 61 1 453 343	E		
3	FUEL TANK								
3	FUEL TANK	POLARIS	1	04/85		16 11 1 455 834		1	
	FOR VEHICLES WITH								
	NATIONAL VERSION CALIFORNIA	Y749A = YES							
3	FUEL TANK	POLARIS	1	04/85		16 11 1 455 211	E		
4	RADIATOR TRIM PANEL CENTER	POLARIS	1			46 63 1 453 351			
5	RADIATOR TRIM PANEL LEFT								
5	RADIATOR TRIM PANEL LEFT	POLARIS	1			46 63 1 453 355			
5	RADIATOR TRIM PANEL RIGHT	POLARIS	1			46 63 1 453 356			
6	COVERING LEFT								
6	COVERING LEFT	POLARIS	1			46 63 1 453 347	E		
6	COVERING RIGHT	POLARIS	1			46 63 1 453 348	E		
7	MUDGUARD REAR	SCHWARZ-MAT	1			46 62 1 450 471			
8	TAIL PART LOWER								
8	TAIL PART LOWER	POLARIS	1			52 53 1 453 357	E	1	
8	TAIL PART LOWER	SCHWARZ-MAT	1			52 53 1 453 608		1	
9	TAIL PART UPPER	POLARIS	1			52 53 1 453 359	E		
10	METALLIC LACQUER SET POLARIS								

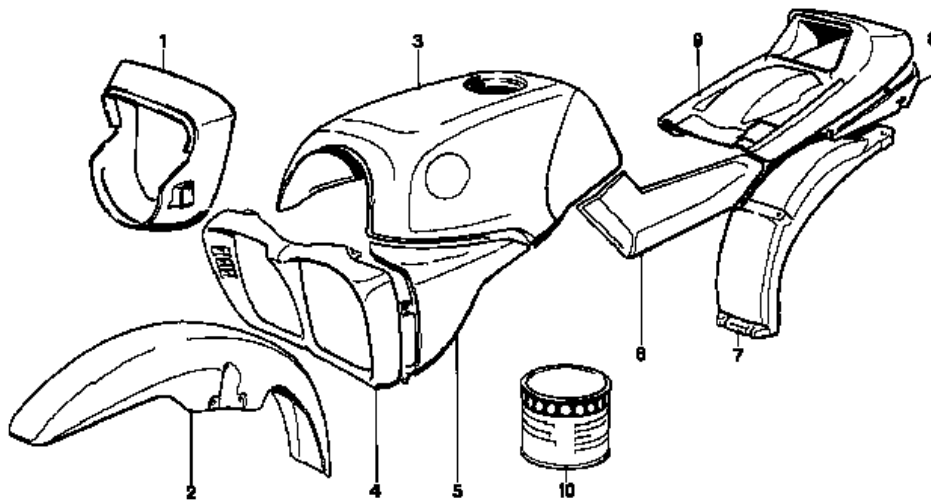
Diagrams 51_2632 PAINTED PARTS 606 ALASKABLAU
 Series: K100-K100LT..83.91



00007001

No.	Description	Supplement	Qty	From	Up To	Part Number	AT	R	TI
	PAINT, ALASKABLAU 136								
1	COCKPIT TRIM PANEL	ALASKABLAU	1			62 21 1 455 806			
2	MUDGUARD FRONT	ALASKABLAU	1			46 61 1 453 595	E		
3	FUEL TANK								
3	FUEL TANK	ALASKABLAU	1	04/85		16 11 1 455 836		1	
	FOR VEHICLES WITH								
	NATIONAL VERSION CALIFORNIA	Y749A = YES							
3	FUEL TANK	ALASKABLAU	1	04/85		16 11 1 455 213		1	
4	RADIATOR TRIM PANEL CENTER	ALASKABLAU	1			46 63 1 455 794			
5	RADIATOR TRIM PANEL LEFT								
5	RADIATOR TRIM PANEL LEFT	ALASKABLAU	1			46 63 1 455 799	E		
5	RADIATOR TRIM PANEL RIGHT	ALASKABLAU	1			46 63 1 455 800			
6	BATTERY COVER LEFT								
6	BATTERY COVER LEFT	ALASKABLAU	1			46 63 1 453 599	E		
6	BATTERY COVER RIGHT	ALASKABLAU	1			46 63 1 453 600	E		
7	MUDGUARD REAR	SCHWARZ-MAT	1			46 62 1 450 471			
8	TAIL PART LOWER	SCHWARZ-MAT	1			52 53 1 453 608		1	
9	TAIL PART UPPER	ALASKABLAU	1			52 53 1 453 614	E		
10	METALLIC LACQUER SET ALASKABLAU								

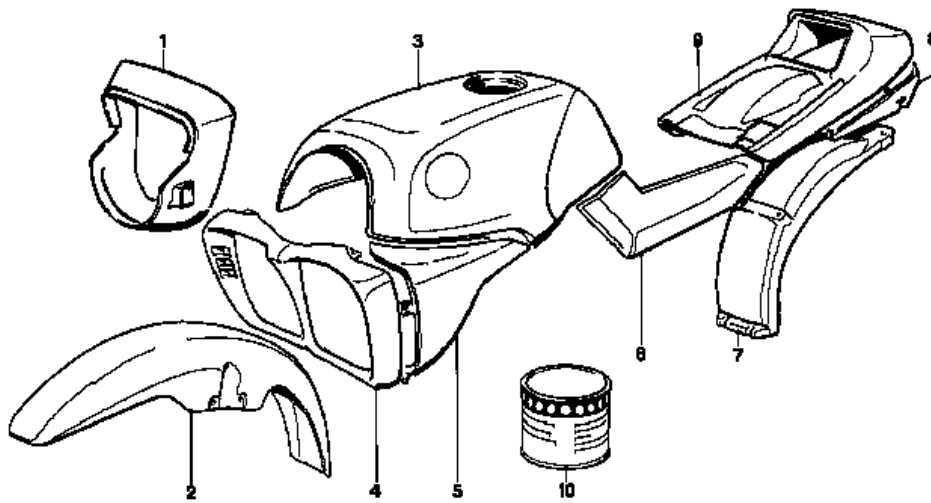
Diagrams 51_2633 PAINTED PARTS 605 MADISON
Series: K100-K100LT..83-91



00007001

No.	Description	Supplement	Qty	From	Up To	Part Number	AT	R	TI
	PAINT, MADISON 127								
1	COCKPIT TRIM PANEL	MADISON	1			62 21 1 455 805			
2	MUDGUARD FRONT	MADISON	1			46 61 1 453 594	E		
3	FUEL TANK								
3	FUEL TANK	MADISON	1	04/85		16 11 1 455 835		1	
	FOR VEHICLES WITH								
	NATIONAL VERSION CALIFORNIA	Y749A = YES							
3	FUEL TANK	MADISON	1	04/85		16 11 1 455 212		1	
4	RADIOTOR TRIM PANEL CENTER	MADISON	1			46 63 1 455 793	E		
5	RADIOTOR TRIM PANEL LEFT								
5	RADIOTOR TRIM PANEL LEFT	MADISON	1			46 63 1 455 797			
5	RADIOTOR TRIM PANEL RIGHT	MADISON	1			46 63 1 455 798			
6	BATTERY COVER LEFT								
6	BATTERY COVER LEFT	MADISON	1			46 63 1 453 597	E		
6	BATTERY COVER RIGHT	MADISON	1			46 63 1 453 598	E		
7	MUDGUARD REAR	SCHWARZ-MAT	1			46 62 1 450 471			
8	TAIL PART LOWER	SCHWARZ-MAT	1			52 53 1 453 608		1	
9	TAIL PART UPPER	MADISON	1			52 53 1 453 613	E		
10	METALLIC LACQUER SET MADISON								

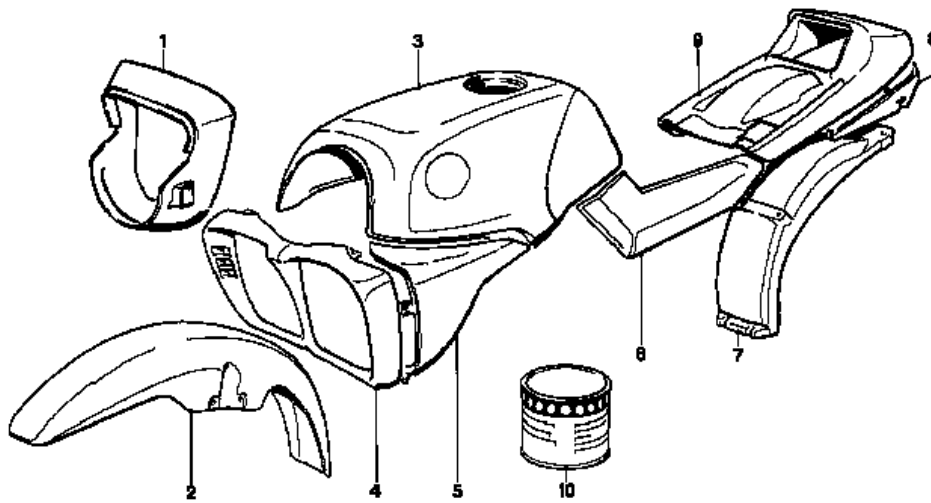
Diagrams 51_2634 PAINTED PARTS 578 BAJARED
Series: K100-K100LT..83-91



00007001

No.	Description	Supplement	Qty	From	Up To	Part Number	AT	R	TI
	PAINT, BAJARED 174								
1	COCKPIT TRIM PANEL	BAJARED	1			62 21 1 455 807			
2	MUDGUARD FRONT	BAJARED	1			46 61 1 453 856	E		
3	FUEL TANK								
3	FUEL TANK	BAJARED	1	04/85		16 11 1 455 837	E		
	FOR VEHICLES WITH								
	NATIONAL VERSION CALIFORNIA	Y749A = YES							
3	FUEL TANK	BAJARED	1	04/85		16 11 1 455 214		1	
4	RADIOTOR TRIM PANEL CENTER	BAJARED	1			46 63 1 455 795			
5	RADIOTOR TRIM PANEL LEFT								
5	RADIOTOR TRIM PANEL LEFT	BAJARED	1			46 63 1 455 801	E		
5	RADIOTOR TRIM PANEL RIGHT	BAJARED	1			46 63 1 455 802	E		
6	BATTERY COVER LEFT								
6	BATTERY COVER LEFT	BAJARED	1			46 63 1 453 857	E		
6	BATTERY COVER RIGHT	BAJARED	1			46 63 1 453 858	E		
7	MUDGUARD REAR	SCHWARZ-MAT	1			46 62 1 450 471			
8	TAIL PART LOWER								
8	TAIL PART LOWER	SCHWARZ-MAT	1			52 53 1 453 608		1	
8	TAIL PART LOWER	BAJARED	1			52 53 1 453 865	E		
9	TAIL PART UPPER	BAJARED	1			52 53 1 453 866	E		
10	METALLIC LACQUER SET BAJARED								

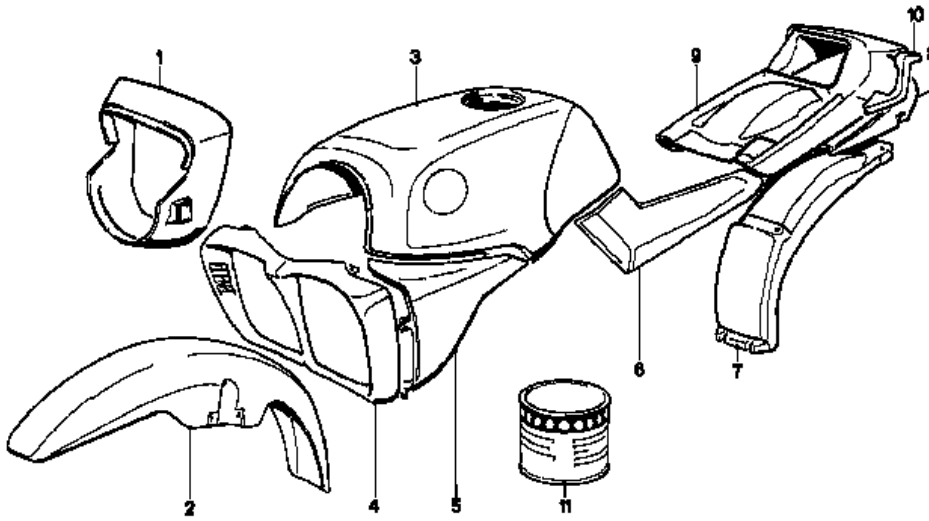
Diagrams 51_2635 PAINTED PARTS 579 DOLOMITGRAU
Series: K100-K100LT..83-91



00007001

No.	Description	Supplement	Qty	From	Up To	Part Number	AT	R	TI
	PAINT, DOLOMITGRAU175								
1	COCKPIT TRIM PANEL	DOLOMITGRAU	1			62 21 1 455 808			
2	MUDGUARD FRONT	DOLOMITGRAU	1			46 61 1 453 879	E		
3	FUEL TANK								
3	FUEL TANK	DOLOMITGRAU	1	04/85		16 11 1 455 838		1	
	FOR VEHICLES WITH								
	NATIONAL VERSION CALIFORNIA	Y749A = YES							
3	FUEL TANK	DOLOMITGRAU	1	04/85		16 11 1 455 215		1	
4	RADIATOR TRIM PANEL CENTER	DOLOMITGRAU	1			46 63 1 455 796			
5	RADIATOR TRIM PANEL LEFT								
5	RADIATOR TRIM PANEL LEFT	DOLOMITGRAU	1			46 63 1 455 803	E		
5	RADIATOR TRIM PANEL RIGHT	DOLOMITGRAU	1			46 63 1 455 804			
6	BATTERY COVER LEFT								
6	BATTERY COVER LEFT	DOLOMITGRAU	1			46 63 1 453 869	E		
6	BATTERY COVER RIGHT	DOLOMITGRAU	1			46 63 1 453 870	E		
7	MUDGUARD REAR	SCHWARZ-MAT	1			46 62 1 450 471			
8	TAIL PART LOWER								
8	TAIL PART LOWER	SCHWARZ-MAT	1			52 53 1 453 608		1	
8	TAIL PART LOWER	DOLOMITGRAU	1			52 53 1 453 877	E		
9	TAIL PART UPPER	DOLOMITGRAU	1			52 53 1 453 878	E		
10	METALLIC LACQUER SET DOLOMITGRAU								

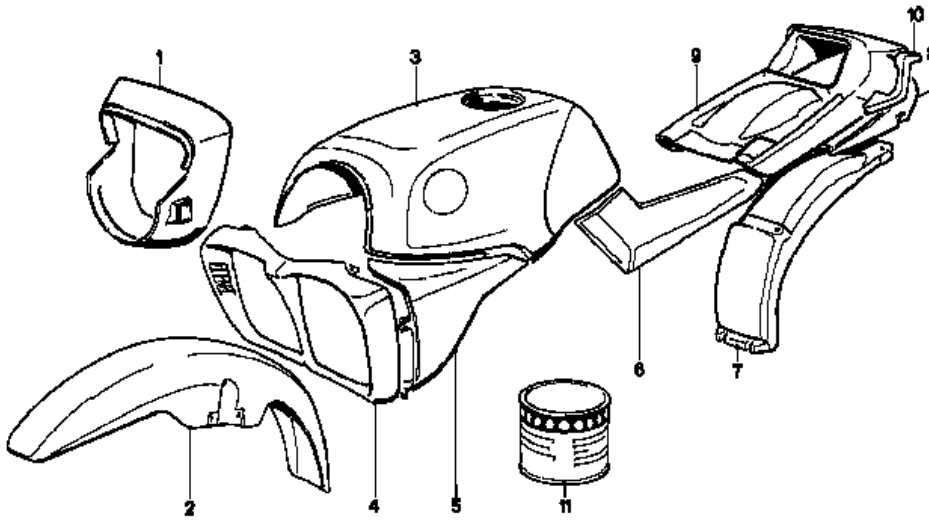
Diagrams 51_2720 PAINTED PARTS 575 ROT
Series: K100-K100LT..83-91



00007018

No.	Description	Supplement	Qty	From	Up To	Part Number	AT	R	TI
	PAINT, ROT 031								
1	COCKPIT TRIM PANEL	ROT	1			62 21 1 453 360			
2	MUDGUARD FRONT	ROT	1			46 61 1 453 342	E		
3	FUEL TANK								
3	FUEL TANK	ROT	1	04/85		16 11 1 455 833		1	
	FOR VEHICLES WITH								
	NATIONAL VERSION CALIFORNIA	Y749A = YES							
3	FUEL TANK	ROT	1	04/85		16 11 1 455 210		1	
4	RADIOTOR TRIM PANEL CENTER	ROT	1			46 63 1 453 350	E		
5	RADIOTOR TRIM PANEL LEFT								
5	RADIOTOR TRIM PANEL LEFT	ROT	1			46 63 1 453 353			
5	RADIOTOR TRIM PANEL RIGHT	ROT	1			46 63 1 453 354	E		
6	COVERING LEFT								
6	COVERING LEFT	ROT	1	09/85		46 63 1 456 959			
6	COVERING RIGHT	ROT	1	09/85		46 63 1 456 960			
7	MUDGUARD REAR	SCHWARZ-MAT	1			46 62 1 450 471			
8	TAIL PART LOWER	SCHWARZ-MAT	1			52 53 1 453 608		1	
9	TAIL PART UPPER	ROT	1	09/85		52 53 1 456 911		1	
10	HANDLE LEFT								
10	HANDLE LEFT	ROT	1	09/85		52 53 1 456 913		1	
10	HANDLE RIGHT	ROT	1	09/85		52 53 1 456 914			
11	METALLIC LACQUER SET ROT								

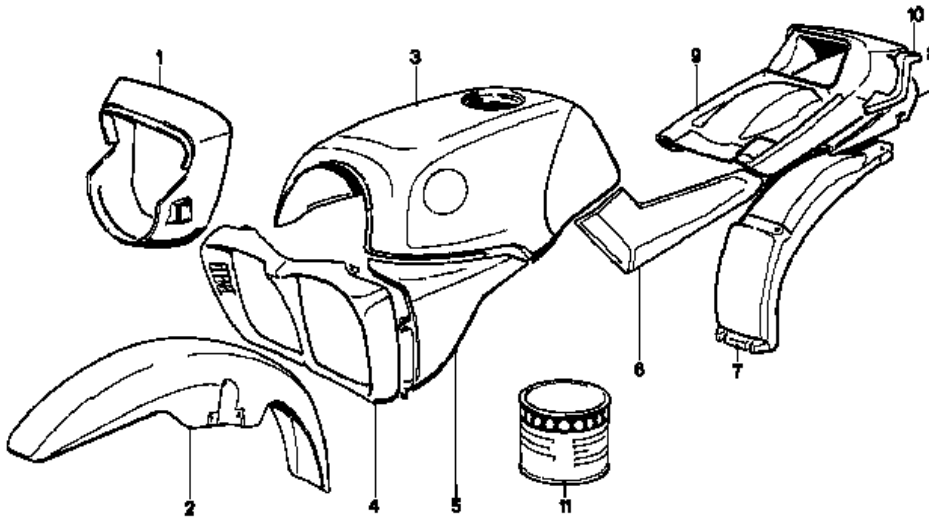
Diagrams 51_2721 PAINTED PARTS 562 COLUMBIASILBER
Series: K100-K100LT..83-91



00007018

No.	Description	Supplement	Qty	From	Up To	Part Number	AT	R	TI
	PAINT, COLUMBIASILBER 204								
1	COCKPIT TRIM PANEL	COLUMBIASILBE	1			62 21 1 456 735	E		
2	MUDGUARD FRONT	COLUMBIASILBE	1			46 61 1 456 706			
3	FUEL TANK								
3	FUEL TANK	COLUMBIASILBE	1			16 11 1 456 704		1	
	FOR VEHICLES WITH								
	NATIONAL VERSION CALIFORNIA	Y749A = YES							
3	FUEL TANK	COLUMBIASILBE	1			16 11 1 456 705		1	
4	RADIOTOR TRIM PANEL CENTER	COLUMBIASILBE	1			46 63 1 456 708			
5	RADIOTOR TRIM PANEL LEFT								
5	RADIOTOR TRIM PANEL LEFT	COLUMBIASILBE	1			46 63 1 456 709	E		
5	RADIOTOR TRIM PANEL RIGHT	COLUMBIASILBE	1			46 63 1 456 710			
6	COVERING LEFT								
6	COVERING LEFT	COLUMBIASILBE	1			46 63 1 456 697			
6	COVERING RIGHT	COLUMBIASILBE	1			46 63 1 456 698			
7	MUDGUARD REAR	SCHWARZ-MAT	1			46 62 1 450 471			
8	TAIL PART LOWER	SCHWARZ-MAT	1			52 53 1 453 608		1	
9	TAIL PART UPPER	COLUMBIASILBE	1			52 53 1 455 743		1	
10	HANDLE LEFT								
10	HANDLE LEFT	COLUMBIASILBE	1			52 53 1 455 745		1	
10	HANDLE RIGHT	COLUMBIASILBE	1			52 53 1 455 746	E		
11	METALLIC LACQUER SET COLUMBIASILBER								

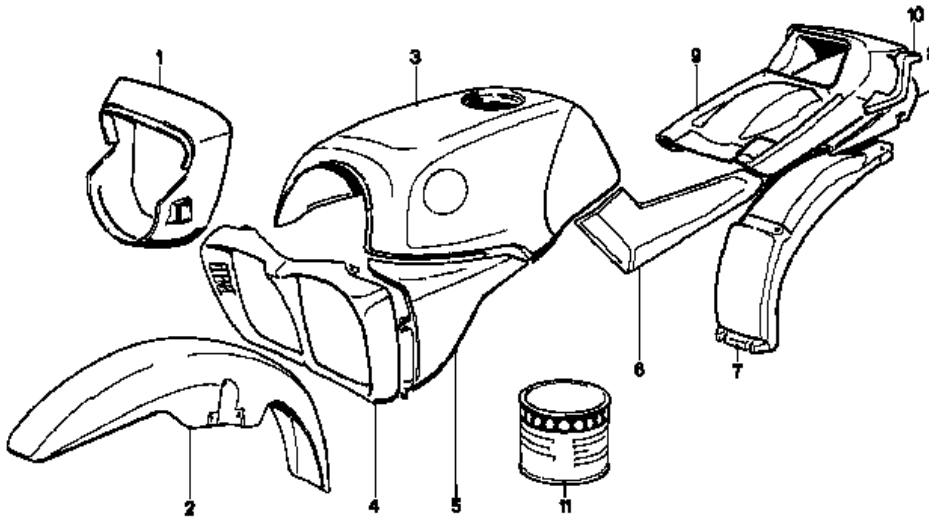
Diagrams 51_2722 PAINTED PARTS 617 DIAMANTGRAU
Series: K100-K100LT..83-91



00007018

No.	Description	Supplement	Qty	From	Up To	Part Number	AT	R	TI
	PAINT, DIAMANTGRAU 186								
1	COCKPIT TRIM PANEL	DIAMANTGRAU	1			62 21 1 456 797	E		
2	MUDGUARD FRONT	DIAMANTGRAU	1			46 61 1 456 802	E		
3	FUEL TANK								
3	FUEL TANK	DIAMANTGRAU	1			16 11 1 456 823		1	
	FOR VEHICLES WITH								
	NATIONAL VERSION CALIFORNIA	Y749A = YES							
3	FUEL TANK	DIAMANTGRAU	1			16 11 1 456 824		1	
4	RADIOTOR TRIM PANEL CENTER	DIAMANTGRAU	1			46 63 1 456 794			
5	RADIOTOR TRIM PANEL LEFT								
5	RADIOTOR TRIM PANEL LEFT	DIAMANTGRAU	1			46 63 1 456 795	E		
5	RADIOTOR TRIM PANEL RIGHT	DIAMANTGRAU	1			46 63 1 456 796	E		
6	COVERING LEFT								
6	COVERING LEFT	DIAMANTGRAU	1			46 63 1 456 693			
6	COVERING RIGHT	DIAMANTGRAU	1			46 63 1 456 694			
7	MUDGUARD REAR	SCHWARZ-MAT	1			46 62 1 450 471			
8	TAIL PART LOWER	SCHWARZ-MAT	1			52 53 1 453 608		1	
9	TAIL PART UPPER	DIAMANTGRAU	1			52 53 1 456 879			
10	HANDLE LEFT								
10	HANDLE LEFT	DIAMANTGRAU	1			52 53 1 456 877		1	
10	HANDLE RIGHT	DIAMANTGRAU	1			52 53 1 456 878	E		
11	METALLIC LACQUER SET DIAMANTGRAU								

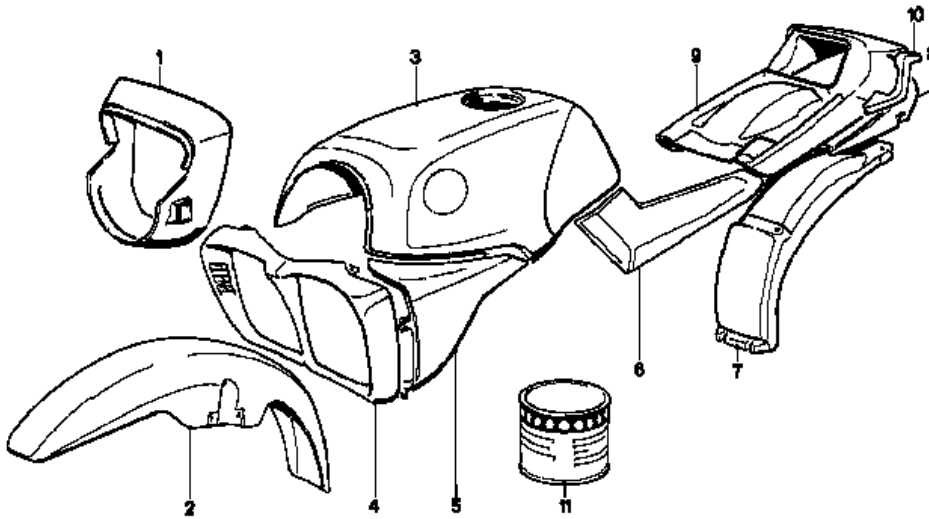
Diagrams 51_2723 PAINTED PARTS 618 KARIBICBLAU
Series: K100-K100LT..83.91



00007018

No.	Description	Supplement	Qty	From	Up To	Part Number	AT	R	TI
	PAINT, KARIBICBLAU 183								
1	COCKPIT TRIM PANEL	KARIBICBLAU	1			62 21 1 456 829	E		
2	MUDGUARD FRONT	KARIBICBLAU	1			46 61 1 456 834			
3	FUEL TANK								
3	FUEL TANK	KARIBICBLAU	1			16 11 1 456 855		1	
	FOR VEHICLES WITH								
	NATIONAL VERSION CALIFORNIA	Y749A = YES							
3	FUEL TANK	KARIBICBLAU	1			16 11 1 456 856		1	
4	RADIATOR TRIM PANEL CENTER	KARIBICBLAU	1			46 63 1 456 826			
5	RADIATOR TRIM PANEL LEFT								
5	RADIATOR TRIM PANEL LEFT	KARIBICBLAU	1			46 63 1 456 827			
5	RADIATOR TRIM PANEL RIGHT	KARIBICBLAU	1			46 63 1 456 828	E		
6	COVERING LEFT								
6	COVERING LEFT	KARIBICBLAU	1			46 63 1 456 691	E		
6	COVERING RIGHT	KARIBICBLAU	1			46 63 1 456 692	E		
7	MUDGUARD REAR	SCHWARZ-MAT	1			46 62 1 450 471			
8	TAIL PART LOWER	SCHWARZ-MAT	1			52 53 1 453 608		1	
9	TAIL PART UPPER	KARIBICBLAU	1			52 53 1 456 880	E		
10	HANDLE LEFT								
10	HANDLE LEFT	KARIBICBLAU	1			52 53 1 456 875		1	
10	HANDLE RIGHT	KARIBICBLAU	1			52 53 1 456 876		1	
11	METALLIC LACQUER SET KARIBICBLAU								

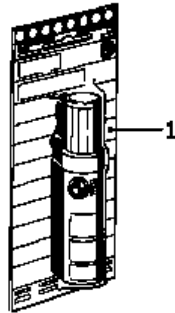
Diagrams 51_2724 PAINTED PARTS 608 AVUSSCHWARZ
Series: K100-K100LT..83-91



00007018

No.	Description	Supplement	Qty	From	Up To	Part Number	AT	R	TI
	PAINT, SCHWARZ 086								
1	COCKPIT TRIM PANEL	AVUS-SCHWAR	1			62 21 1 453 783	E		
2	MUDGUARD FRONT	AVUS-SCHWAR	1			46 61 1 453 748	E		
3	FUEL TANK								
3	FUEL TANK	AVUS-SCHWAR	1	04/85		16 11 1 455 840	E	1	
	FOR VEHICLES WITH								
	NATIONAL VERSION CALIFORNIA	Y749A = YES							
3	FUEL TANK	AVUS-SCHWAR	1	04/85		16 11 1 456 662		1	
4	RADIOTOR TRIM PANEL CENTER	AVUS-SCHWAR	1			46 63 1 453 752	E		
5	RADIOTOR TRIM PANEL LEFT								
5	RADIOTOR TRIM PANEL LEFT	AVUS-SCHWAR	1			46 63 1 453 753	E		
5	RADIOTOR TRIM PANEL RIGHT	AVUS-SCHWAR	1			46 63 1 453 754	E		
6	COVERING LEFT								
6	COVERING LEFT	AVUS-SCHWAR	1	09/85		46 63 1 455 371			
6	COVERING RIGHT	AVUS-SCHWAR	1	09/85		46 63 1 455 372			
7	MUDGUARD REAR	SCHWARZ-MAT	1			46 62 1 450 471			
8	TAIL PART LOWER	SCHWARZ-MAT	1			52 53 1 453 608		1	
9	TAIL PART UPPER	AVUS-SCHWAR	1	09/85		52 53 1 455 377	E		
10	HANDLE LEFT								
10	HANDLE LEFT	AVUS-SCHWAR	1	09/85		52 53 1 455 375		1	
10	HANDLE RIGHT	AVUS-SCHWAR	1	09/85		52 53 1 455 376		1	
11	HS ACRYLIC PAINT SCHWARZ	1000ML 086	X			51 91 1 052 618			I

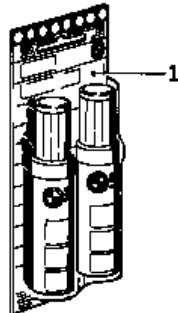
Diagrams 51_2598 ACRYLIC TOUCH UP PENCIL
 Series: K100-K100LT..83.91



00008988

No.	Description	Supplement	Qty	From	Up To	Part Number	AT	R	TI
1	TOUCH UP PENCIL POLIZEIWEISS								
1	TOUCH UP PENCIL POLIZEIWEISS	083	X			51 91 0 142 138			I
1	TOUCH UP PENCIL SCHWARZ	086	X			51 91 0 302 284			I
1	TOUCH UP PENCIL MARRAKESCHROT	222	X			51 91 0 142 136			I

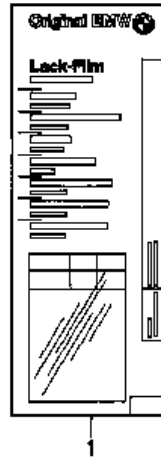
Diagrams 51_2599 METALLIC TOUCH UP PENCIL METALLIC
Series: K100-K100LT..83-91



00006959

No.	Description	Supplement	Qty	From	Up To	Part Number	AT	R	Tl
1	METALLIC TOUCH UP PENCIL SET ROT								
1	METALLIC TOUCH UP PENCIL SET ROT	031/531	X			51 91 0 144 559			I
1	METALLIC TOUCH UP PENCIL MADISON	127	X			51 91 0 144 546			I
1	METALLIC TOUCH UP PENCIL BAJARED	174	X			51 91 1 453 853	E		T
1	METALLIC TOUCH UP PENCIL DOLOMITGRAU	175	X			51 91 0 144 532			I
1	METALLIC TOUCH UP PENCIL SET COLUMBIASIL	204	X			51 91 0 144 527			I
1	METALLIC TOUCH UP PENCIL SET TABAKBRAUN	239	X			51 91 0 144 568			I
1	METALLIC TOUCH UP PENCIL SANDBEIGE	226	X			51 91 0 144 560			I
1	METALLIC TOUCH UP PENCIL BRILLANTSILBER	235	X			51 91 0 144 524			I
1	METALLIC TOUCH UP PENCIL DIAMANTGRAU	186	X			51 91 0 144 531	E		I
1	METALLIC TOUCH UP PENCIL KARIBICBLAU	183	X			51 91 0 144 543			I
1	METALLIC TOUCH UP PENCIL POLARIS	060	X			51 91 0 302 216			I
1	METALLIC TOUCH UP PENCIL CLASSICSCHWARZ	162	X			51 91 0 144 525			I
1	METALLIC TOUCH UP PENCIL ALASKABLAU	136	X			51 91 0 142 141			I
1	METALLIC TOUCH UP PENCIL PERLMUTT	137	X			51 91 0 144 555			I
1	METAL TOUCH UP PENCIL SET TOSKANAGRUEN	251	X			51 91 0 144 572			I
1	METALLIC TOUCH UP PENCIL SET BERMUDABLAU	225	X			51 91 0 144 523			I
1	METALLIC TOUCH UP PENCIL SET STRATOSGRAU	232	X			51 91 0 144 566			I
1	METALLIC TOUCH UP SET TITANBLAU	241	X			51 91 0 144 569			I
1	METALLIC TOUCH UP PENCIL SET PERLGRUEN	249	X			51 91 0 144 554			I

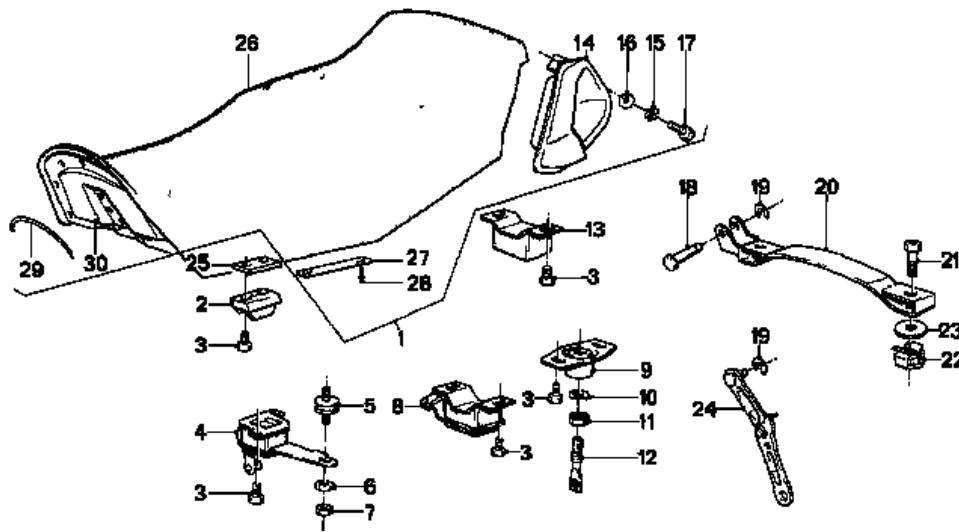
Diagrams 51_0063 PAINT-FILM
Series: K100-K100LT..83-91



00007028

No.	Description	Supplement	Qty	From	Up To	Part Number	AT	R	TI
1	METALLIC PAINT-FILM MADISON								
1	METALLIC PAINT-FILM MADISON	127	X			51 91 9 062 012	E		
1	METALLIC PAINT-FILM ALASKABLAU	136	X			51 91 9 062 013	E		
1	METALLIC PAINT-FILM PERLMUTT	137	X			51 91 9 062 014	E		
1	METALLIC PAINT-FILM DOLOMITGRAU	175	X			51 91 9 062 016	E		
1	METALLIC PAINT-FILM DIAMANTGRAU	186	X			51 91 9 062 017	E		
1	METALLIC PAINT-FILM COLORADOROT	201	X			51 91 9 062 018	E		
1	METALLIC PAINT-FILM COLUMBIASILBER	204	X			51 91 9 062 019	E		
1	PAINT-FILM TUAREGBLAU	222	X			51 91 9 062 020	E		
1	METALLIC PAINT-FILM BAHAMABRONZIT	226	X			51 91 9 062 021	E		
1	METALLIC PAINT-FILM ONYXSCHWARZ	228	X			51 91 9 062 022	E		
1	METALLIC PAINT-FILM STRATOSGRAU	232	X			51 91 9 062 023	E		
1	METALLIC PAINT-FILM BRILLANTSILBER	235	X			51 91 9 062 025	E		
1	METALLIC PAINT-FILM TABAKBRAUN	239	X			51 91 9 062 026	E		
1	METALLIC PAINT-FILM BERMUDABLAU	225	X			51 91 9 062 027	E		
1	METALLIC PAINT-FILM TOSKANAGRUEN	251	X			51 91 9 062 114	E		
1	METALLIC PAINT-FILM LAGAUNALAU	233	X			51 91 9 062 153	E		
1	METALLIC PAINT-FILM TITANBLAU	241	X			51 91 9 062 219	E		

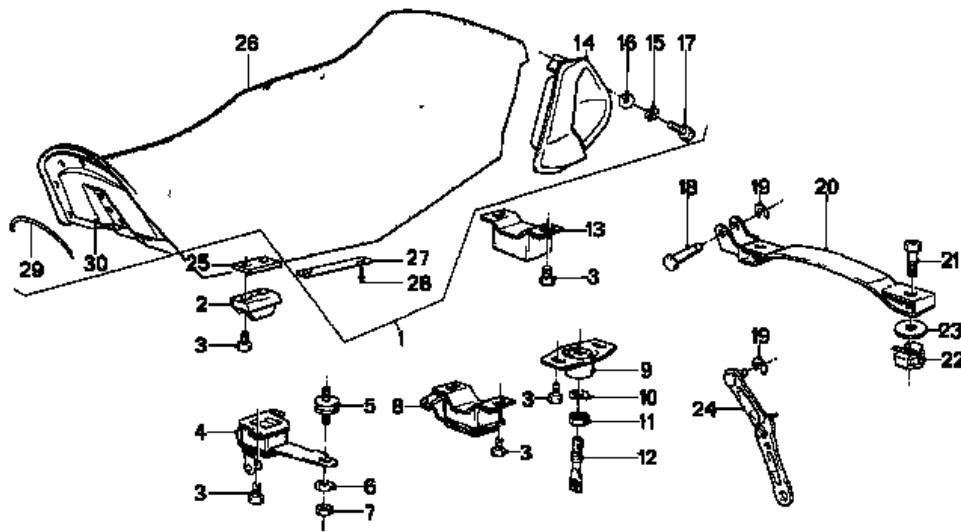
Diagrams 52_1006 DUALSEAT
 Series: K100-K100LT..83-91



00007454

No.	Description	Supplement	Qty	From	Up To	Part Number	AT	R	TI
	*FG 09/85								
1	DOUBLE SEAT BENCH								
1	DOUBLE SEAT BENCH		1			52 53 1 450 645		1	
1	DOUBLE SEAT BENCH, LOW		1			52 53 1 453 840		1	
1	COMFORT DUAL SEAT	SCHWARZ	1			52 53 1 455 222		1	
1	SINGLE SEAT	SCHWARZ	1			52 53 2 303 808		1	
2	BUMP STOP		3			52 53 1 451 207			
3	FILLISTER HEAD WITH WASHER	M6X12	X			46 63 2 322 460			
4	HINGE		1			52 53 1 451 202			
5	SUSPENSION		1			52 53 1 450 708			
6	FLAT WASHER	4,3	1			07 11 9 936 412			
7	SELF-LOCKING HEX NUT	M4	1			07 12 9 922 452			
8	HINGE		1			52 53 1 451 205			
9	RUBBER MOUNTING		1			52 53 1 451 209			
10	WAVE WASHER	B8	1			07 11 9 932 121			
11	HEX NUT	M8-ZNS	1			07 11 9 922 856			
12	CATCH		1			52 53 1 451 212			
13	BUMP STOP		1			52 53 1 451 217			
14	LEFT HANDLE								
14	LEFT HANDLE		1			52 53 1 450 663			
14	RIGHT HANDLE		1			52 53 1 450 664			
15	TOOTH WASHER	A6,4	4			07 11 9 936 133			
16	FLAT WASHER	6,4	4			07 11 9 936 425			
17	FILLISTER-HEAD SCREW	M6X16-ZNS	4			07 11 9 901 438			
18	PIN		1			52 53 1 450 691			
19	LOCK RING	D6,0	4			07 12 9 934 318			
20	BOW		1			52 53 1 451 213		1	
21	FILLISTER-HEAD SCREW	M6X25	2			07 11 9 919 532			
22	CAGE NUT	M6	2			07 12 9 926 511			

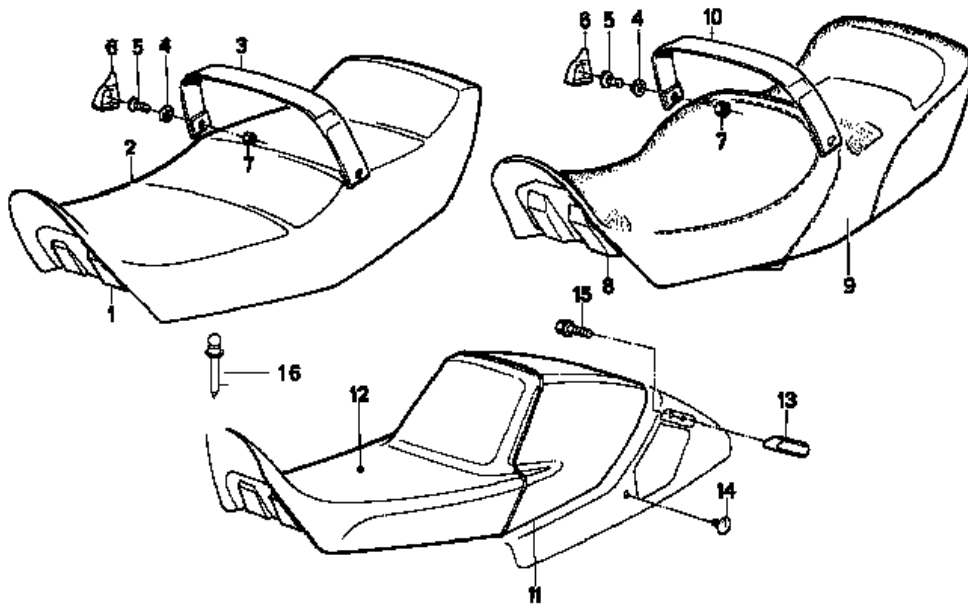
Diagrams 52_1006 DUALSEAT
Series: K100-K100LT..83-91



00007454

No.	Description	Supplement	Qty	From	Up To	Part Number	AT	R	TI
17	FILLISTER-HEAD SCREW	M6X16-ZNS	4			07 11 9 901 438			
18	PIN		1			52 53 1 450 691			
19	LOCK RING	D6,0	4			07 12 9 934 318			
20	BOW		1			52 53 1 451 213		1	
21	FILLISTER-HEAD SCREW	M6X25	2			07 11 9 919 532			
22	CAGE NUT	M6	2			07 12 9 926 511			
23	FLAT WASHER								
23	FLAT WASHER		2			52 53 1 455 345	AE		
23	RUBBER WASHER		2			63 12 1 358 129			
24	SUPPORT		1			52 53 1 451 650			
25	BASE		2			52 53 1 453 170			
26	SEAT COVER VINYL SCHWARZ								
26	SEAT COVER VINYL SCHWARZ		1			52 53 1 451 199			
--	ONLY APPLIES TO								
--	DOUBLE SEAT BENCH		X			52 53 1 450 645		1	
26	SEAT COVER VINYL SCHWARZ		1			52 53 1 453 842		1	
--	ONLY APPLIES TO								
--	DOUBLE SEAT BENCH, LOW		X			52 53 1 453 840		1	
26	SEAT COVER VINYL SCHWARZ		1			52 53 2 303 807	E		
--	ONLY APPLIES TO								
--	SINGLE SEAT	SCHWARZ	X			52 53 2 303 808		1	
27	TERMINAL STRIP		X			52 53 1 234 421			
28	BLIND RIVET	3,2-2A	X			07 12 9 948 747			
29	SYNTHETIC STRIP		1			52 53 1 453 843			
30	COVER		1			52 53 1 453 270			

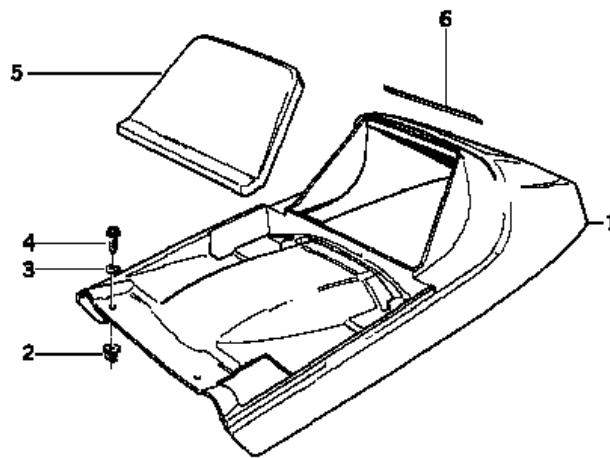
Diagrams 52_1018 DUALSEAT
 Series: K100-K100LT..83-91



00007466

No.	Description	Supplement	Qty	From	Up To	Part Number	AT	R	TI
	FG* 09/85								
1	DOUBLE SEAT BENCH, LOW								
1	DOUBLE SEAT BENCH, LOW	SCHWARZ 800M	1			52 53 2 309 281	AE		
1	DOUBLE SEAT BENCH	SCHWARZ 800M	1			52 53 2 324 467		1	
2	SEAT COVER VINYL SCHWARZ		1			52 53 2 308 204			
8	COMFORT DUAL SEAT	SCHWARZ	1			52 53 2 309 388		1	
9	SEAT COVER VINYL SCHWARZ		1			52 53 2 309 391			
FOR VEHICLES WITH									
	NATIONAL VERSION FRANCE	Y741A = YES							
	OR								
	NATIONAL VERSION JAPAN	Y742A = YES							
10	STRAP	SCHWARZ	1			52 53 1 455 328			
11	SINGLE SEAT	SCHWARZ	1			52 53 2 308 237		1	
12	SEAT COVER VINYL SCHWARZ		1			52 53 2 308 240			
12	SEAT COVER VINYL SCHWARZ		1			52 53 2 308 241			
12	SEAT COVER VINYL	ROT	1			52 53 2 308 241			
13	COVERING LEFT		1			52 53 1 456 075			
13	COVERING LEFT		1			52 53 1 456 076			
13	COVERING RIGHT		1			52 53 1 456 076			
14	RIVET		2			52 53 1 456 077			
15	HEX HEAD SCREW	ST4,8X16-C-Z1	4			07 11 9 916 945			
16	RIVET	4,8-4A	X			07 12 9 948 781			

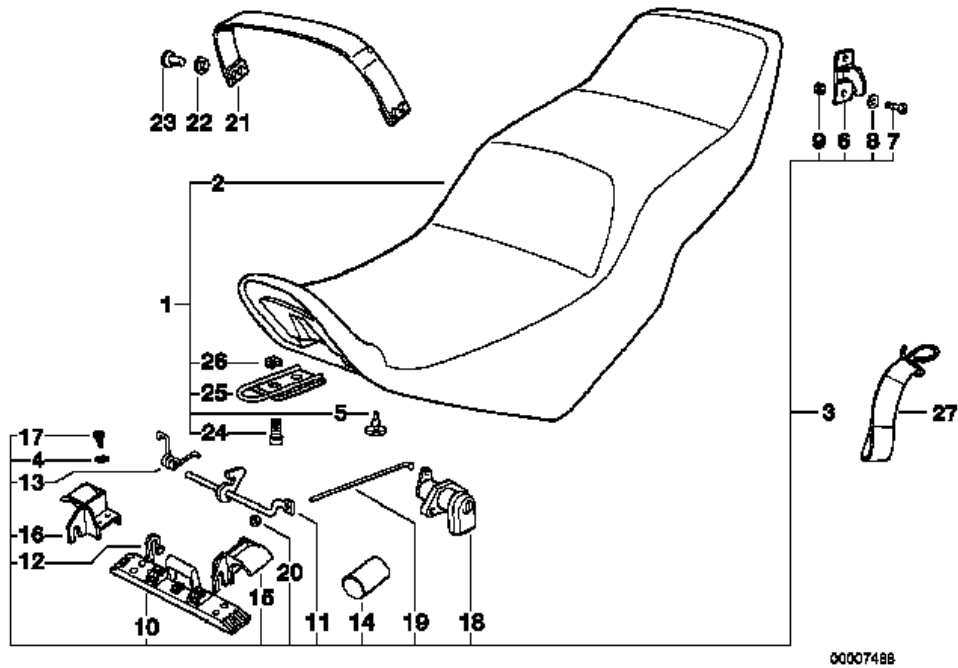
Diagrams 52_1007 TAIL PART UPPER
Series: K100-K100LT..83-91



00007455

No.	Description	Supplement	Qty	From	Up To	Part Number	AT	R	TI
2	EXPANDING NUT		2			52 53 1 451 393			
3	RUBBER WASHER		2			46 61 1 236 899			
4	FILLISTER HEAD SELF-TAPPING SCREW	ST4,2X19-Z2	2			07 11 9 907 809	E		
6	SEALING STRIP	365X8X2MM	1			46 63 1 453 980			

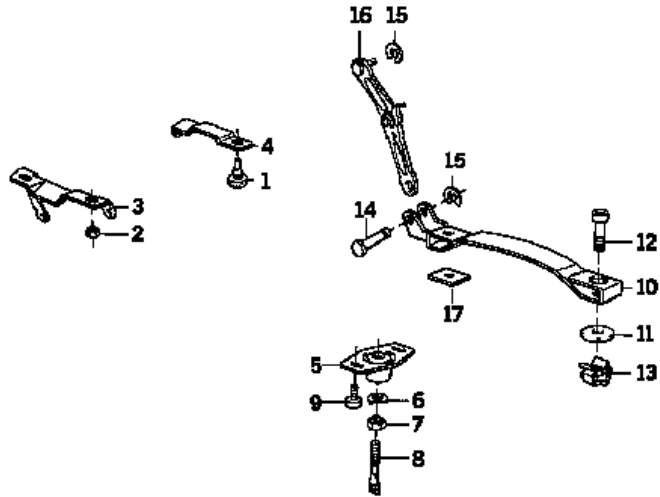
Diagrams 52_1020 SLIDING DUAL SEAT
 Series: K100-K100LT..83-91



00007488

No.	Description	Supplement	Qty	From	Up To	Part Number	AT	R	TI	
	ONLY FOR REPAIR AT THE DEALER'S									
3	MODIFICATION KIT FOR SLIDING DUAL SEAT	760MM	1	09/85		52 53 9 062 452	E	1		

Diagrams 52_1015 MOUNTING PARTS F DUALSEAT
Series: K100-K100LT..83-91



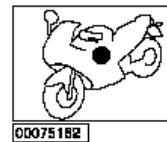
00007488

No.	Description	Supplement	Qty	From	Up To	Part Number	AT	R	TI
1	RUBBER SUPPORT		9	09/85		52 53 1 230 319			
2	CAGE NUT	M6	5	09/85		07 12 9 926 512			
3	HINGE		1	09/85		52 53 1 453 364			
4	HINGE		1	09/85		52 53 1 455 122			
5	RUBBER MOUNTING		1	09/85		52 53 1 451 209			
6	WAVE WASHER	B8	1	09/85		07 11 9 932 121			
7	HEX NUT	M8-ZNS	1	09/85		07 11 9 922 856			
8	CATCH		1	09/85		52 53 1 451 212			
9	FILLISTER HEAD WITH WASHER	M6X16	5	09/85		46 51 2 311 713			
10	BOW		1	09/85		52 53 1 451 213		1	
11	FLAT WASHER								
11	FLAT WASHER		2	09/85		52 53 1 455 345	AE		
11	RUBBER WASHER		2	09/85		63 12 1 358 129			
12	FILLISTER-HEAD SCREW	M6X25	2	09/85		07 11 9 919 532			
13	CAGE NUT	M6	2	09/85		07 12 9 926 512			
14	PIN		1	09/85		52 53 1 450 691			
15	LOCK RING	D6,0	4	09/85		07 12 9 934 318			
16	SUPPORT		1	09/85		52 53 1 451 650			
17	WEDGE		1			62 11 1 459 242			

Diagrams 52_1026 BADGE
 Series: K100-K100LT..83-91

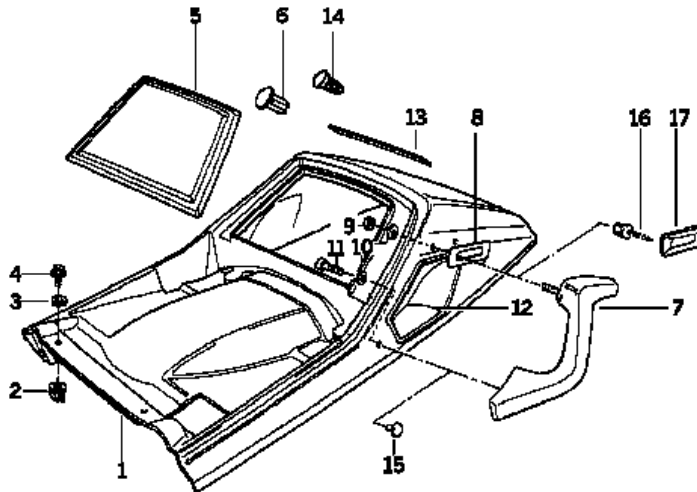


- 2— 75c
- 3— K75
- 4— K100
- 5— K1100
- 6— RS
- 7— RT
- 8— LT



No.	Description	Supplement	Qty	From	Up To	Part Number	AT	R	TI
1	BADGE	D=60MM	1			52 53 2 325 181	E		
4	BADGE	K100	X			51 14 1 453 152			
4	BADGE	K100 GOLD	X			51 14 1 456 478			

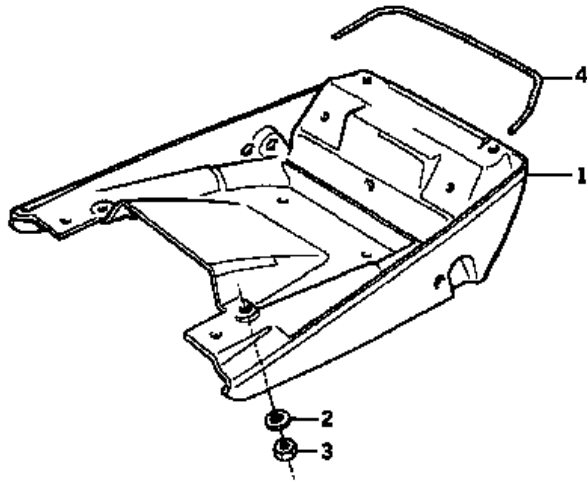
Diagrams 52_1016 TAIL PART UPPER
Series: K100-K100LT..83-91



00007464

No.	Description	Supplement	Qty	From	Up To	Part Number	AT	R	TI
1	UPPER TAIL PART, PRIME COATED		1	09/85		52 53 1 455 265			
2	EXPANDING NUT		2			52 53 1 451 393			
3	RUBBER WASHER								
3	RUBBER WASHER		2			46 61 1 236 899			
3	RUBBER WASHER		2			46 62 1 230 798			
4	FILLISTER HEAD SELF-TAPPING SCREW	ST4,2X19-Z2	2			07 11 9 901 181	E		
5	COVER		1	09/85		52 53 1 455 219			
6	BLIND PLUG		4			52 53 2 322 011			
7	LEFT PRIME COATED HANDLE								
7	LEFT PRIME COATED HANDLE		1	09/85		52 53 1 455 115			
7	RIGHT PRIME COATED HANDLE		1	09/85		52 53 1 455 116			
8	FOIL		2	09/85		52 53 1 455 342			
9	SELF-LOCKING HEX NUT	M6	4	09/85		07 12 9 900 191			
10	FLAT WASHER	A6,4	6	09/85		07 11 9 931 044			
11	FILLISTER-HEAD SCREW	M6X18	2	09/85		46 54 2 322 498			
12	LEFT HANDLE								
12	LEFT HANDLE		1			52 53 1 455 119			
12	RIGHT HANDLE		1			52 53 1 455 120			
--	ONLY IN CONJUNCTION WITH SINGLE SEAT	SCHWARZ	1			52 53 2 308 237		1	
13	SEALING STRIP								
13	SEALING STRIP	365X8X2MM	1	09/85		46 63 1 453 980			
--	ONLY IN CONJUNCTION WITH SINGLE SEAT	SCHWARZ	1	09/85		52 53 2 308 237		1	
14	BLIND PLUG	D=3,7MM	2			51 71 1 850 078			
--	ONLY IN CONJUNCTION WITH SINGLE SEAT	SCHWARZ	1			52 53 2 308 237		1	
15	RIVET		2			52 53 1 456 077			
16	HEX HEAD SCREW	ST4,8X16-C-Z1	4			07 11 9 916 945			
17	COVERING LEFT								
17	COVERING LEFT		1			52 53 1 456 075			
17	COVERING RIGHT		1			52 53 1 456 076			

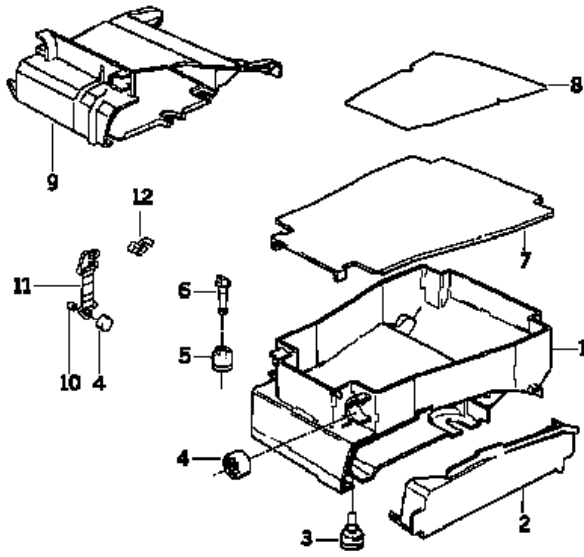
Diagrams 52_1027 TAIL PART LOWER
 Series: K100-K100LT..83-91



00007475

No.	Description	Supplement	Qty	From	Up To	Part Number	AT	R	TI
1	TAIL PART LOWER	SCHWARZ-MAT	1			52 53 1 453 608		1	
2	FLAT WASHER	A6,4	4			07 11 9 931 044			
3	SELF-LOCKING HEX NUT	M6	4			07 12 9 900 191			
4	GASKET	215 MM	1			65 61 2 300 295			

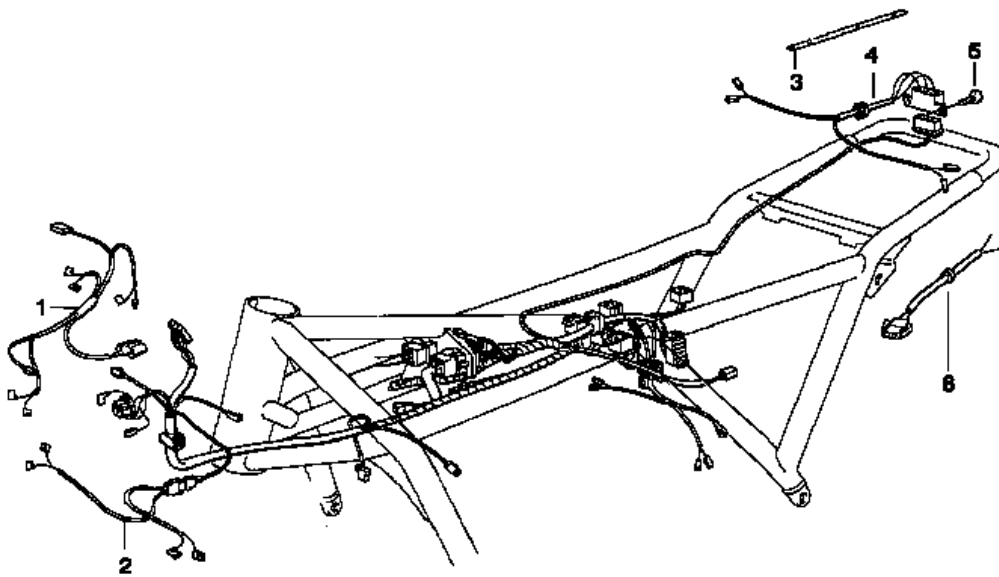
Diagrams 52_1028 TOOL BOX
 Series: K100-K100LT..83-91



00007476

No.	Description	Supplement	Qty	From	Up To	Part Number	AT	R	TI
1	TOOL BOX		1			51 16 1 459 061			
2	MUDGUARD		1			51 16 1 459 119			
3	BUMP STOP		2			51 16 1 459 067			
4	SUSPENSION		4			51 16 1 459 064			
5	BUMP STOP		1			51 16 1 459 068			
6	PIN		1			51 16 1 459 069			
7	COVER		1			51 16 1 459 062			
8	RUBBER MAT		1			52 53 1 453 576			
9	CONTROL UNIT BRACKET		1			61 35 1 459 782			
10	HOSE	1000MM	X			16 13 1 455 350			
11	BRACKET		2			51 25 2 309 417			
12	CLAMP		2			51 25 2 308 491			

Diagrams 61_0236 CABLE HARNESS COVER FRONT/REAR
 Series: K100-K100LT..83-91

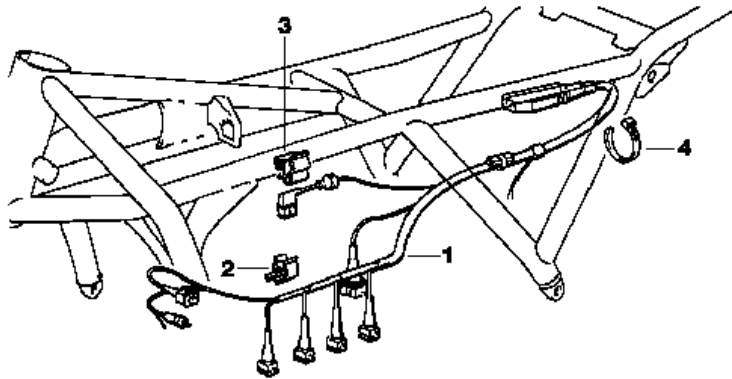


00014355

No.	Description	Supplement	Qty	From	Up To	Part Number	AT	R	TI
2	WIRING TURN SIGNAL FRONT		1			61 12 1 459 148		1	
3	CABLE STRAP		2			32 73 1 451 809			
3	BRACKET FOR ACCELERATOR BOWDEN CABLE		2			61 13 1 459 790			
4	WIRING HARNESS TAIL LIGHT		1			61 12 1 459 130		1	
5	SCREW	M4X12	2			63 23 1 459 108			

Diagrams 61_1080 ENGINE WIRING HARNESS

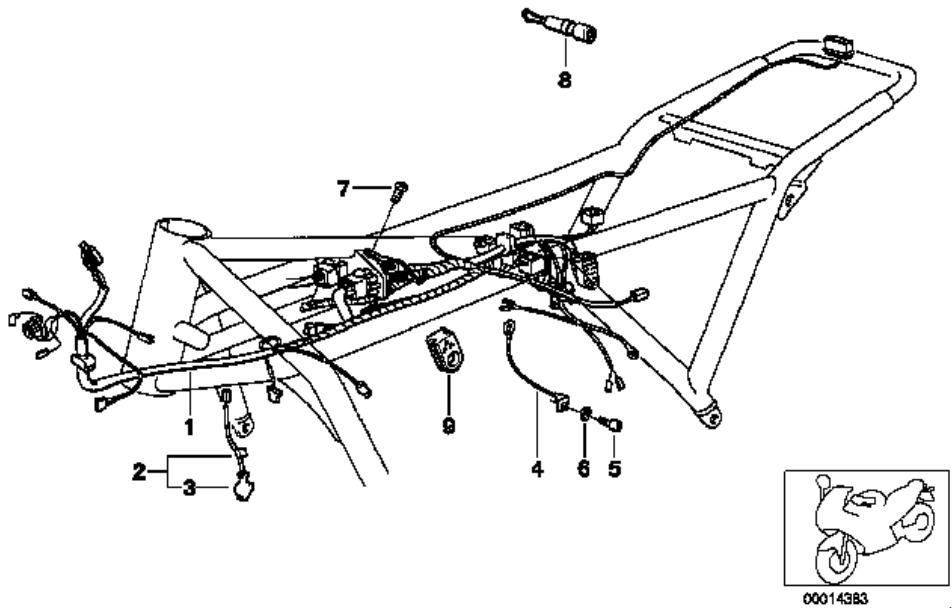
Series: K100-K100LT..83-91



00014382

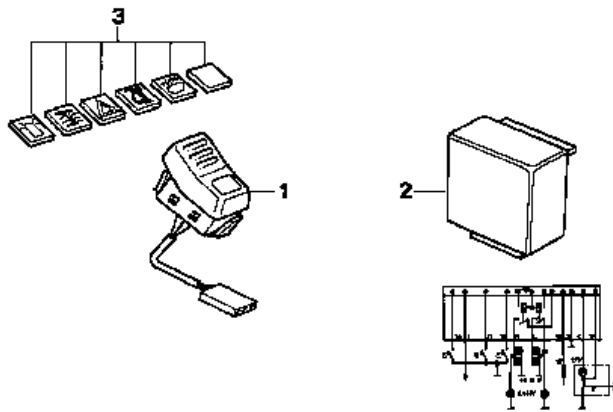
No.	Description	Supplement	Qty	From	Up To	Part Number	AT	R	TI
1	ENGINE WIRING HARNESS FG* K100 0 008 131/K100RS 0 084 625/K100RT 0 027 888 / K100RS USA 0 042 660/K100RT USA 0 053 295		1	04/85		61 11 1 459 591			
2	CLAMP		2			61 13 1 459 192	E		
3	CABLE CLAMP		5			51 25 1 943 711			
3	CABLE CLAMP		5			61 31 1 459 057			
3	CLAMP		5			61 31 1 459 057			
4	CABLE STRAP	L=200MM/B=3,6	X			61 13 1 367 599			

Diagrams 61_1081 CHASSIS WIRING HARNESS
 Series: K100-K100LT..83-91



No.	Description	Supplement	Qty	From	Up To	Part Number	AT	R	TI
1	CHASSIS WIRING HARNESS FG* K100 0 008 131/K100RS 0 084 625/K100RT 0 027 888 / K100RS USA 0 042 660/K100RT USA 0 053 295		1	04/85		61 11 1 459 555		1	
2	WIRING OIL PRESSURE		1			61 12 1 459 120		1	
3	PROTECTION CAP		1			61 13 1 363 318			
4	BATTERY CABLE NEGATIVE		1			61 12 1 244 577		1	
5	FILLISTER-HEAD SCREW	M6X12-ZNS	1			07 11 9 920 148			
6	WAVE WASHER	B6	1			07 11 9 932 099			
7	HEX BOLT WITH WASHER	M6X16-Z3-2	1			07 11 9 915 021			
8	CONTACT RING		1			61 13 1 459 504			
9	CABLE GROMMET		1			61 13 1 459 066			

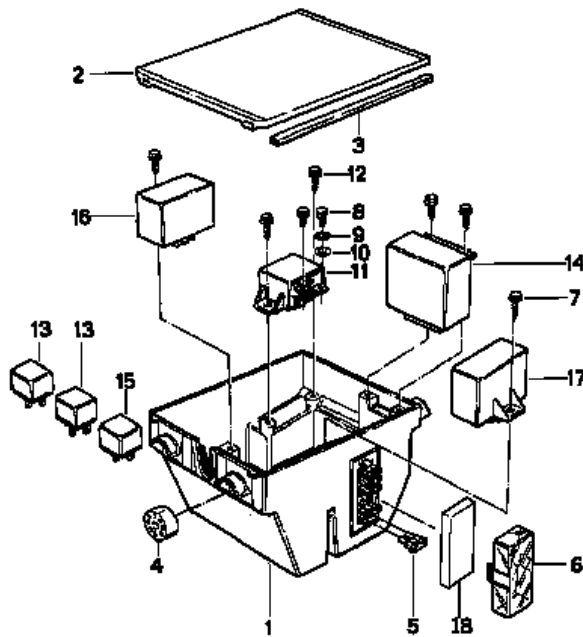
Diagrams 61_0256 INSTALLING SET HAZARD WARNING
 Series: K100-K100LT..83-91



00008068

No.	Description	Supplement	Qty	From	Up To	Part Number	AT	R	TI
1	HAZARD WARNING SWITCH		1			61 31 1 459 305		1	T
2	RELAY FOR FLASHER		1			61 31 1 459 224			
3	SYMBOL HAZZARD WARNING		1			61 31 1 459 367		1	

Diagrams 61_0237 FUSE BOX
Series: K100-K100LT..83-91

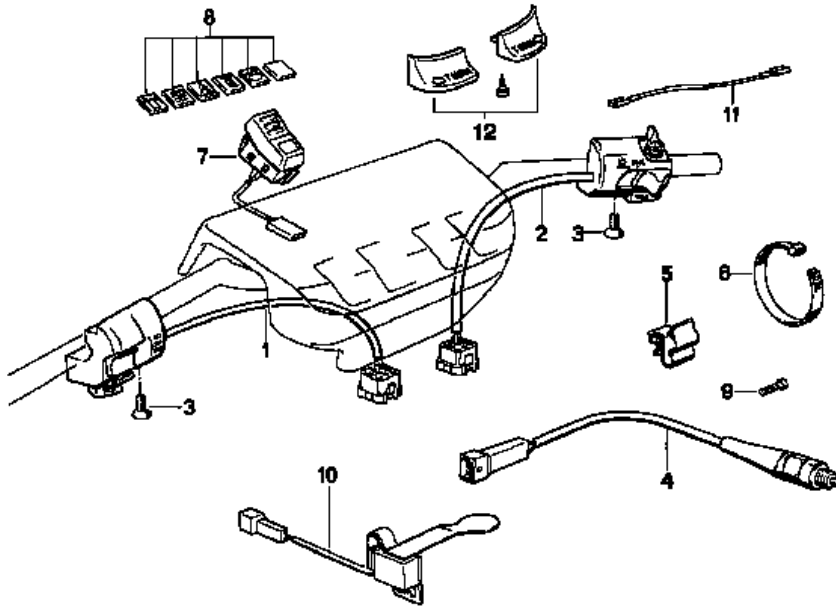


00008089

No.	Description	Supplement	Qty	From	Up To	Part Number	AT	R	TI
1	FUSE BOX		1			61 13 1 459 002			
2	COVER		1			61 13 1 459 155			
3	GASKET	190MM	X			61 13 1 459 181			
4	SUSPENSION		4			51 16 1 459 064			
5	FUSE								
5	FUSE	7,5A	3			61 13 1 370 987			
5	FUSE	15A	3			61 13 1 372 626			
6	COVER		1			61 13 1 459 094			
7	SCREW		3			61 31 1 459 145			
8	HEX BOLT								
8	HEX BOLT	M5X10	2			07 11 9 913 218			
8	HEX BOLT WITH WASHER	M5X10-Z5-1	2			07 11 9 915 051			
9	TOOTH WASHER	A5,1	2			07 11 9 936 107			
10	FLAT WASHER	5,3-ZNS	2			07 11 9 931 029			
11	RELAY STARTER MOTOR		1			61 31 1 459 008		1	
12	SCREW		9			61 31 1 459 145			
13	RELAY								
13	RELAY ONLY APPLIES TO HORN	GELB	1			61 31 1 373 585			
13	RELAY ONLY APPLIES TO IGNITION SYSTEM	GELB	1			61 31 1 373 585			
14	RELAY FOR FLASHER		1			61 31 1 459 224			
15	RELAY								
15	RELAY		1			61 31 1 373 911	E		
15	RELAY		1			61 31 1 459 577	AE	1	
15	RELAY, MAKE CONTACT, WHITE GREEN ONLY APPLIES TO FUEL INJECTION SYSTEM		1			61 36 8 373 700			
16	TEMPERATURE SWITCH		1			61 31 1 459 009		1	
17	BULB TESTING DEVICE		1			61 31 1 459 003		1	
18	GASKET	180MM	1			46 63 2 307 115			

Diagrams 61_0239 SWITCH

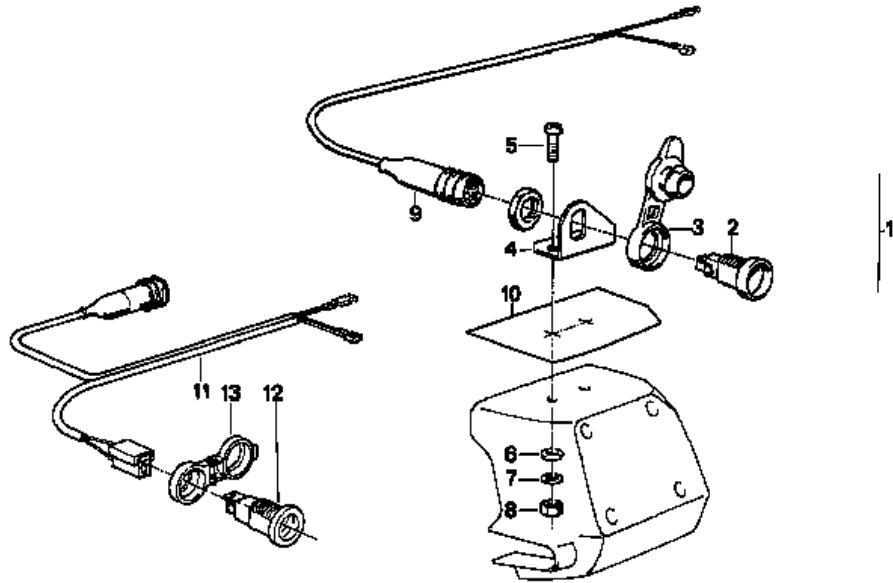
Series: K100-K100LT..83.91



00008071

No.	Description	Supplement	Qty	From	Up To	Part Number	AT	R	TI
1	COMBINATION SWITCH LEFT		1			61 31 1 459 461		1	
FOR VEHICLES WITH									
NATIONAL VERSION AUSTRALIA									
2	COMBINATION SWITCH WITH CONTINUOUS LIGHT	Y734A = YES	1			61 31 1 459 464		1	
3	CSK.FILLISTER HEAD SCREW	M4X12	2			07 11 9 928 426			
4	SWITCH								
4	SWITCH		2			61 31 1 459 569		1	
REAR WHEEL BRAKE									
4	SWITCH		1			61 31 1 459 569		1	
THROTTLE HOUSING ASSY									
4	SWITCH		1			61 31 1 459 569		1	
5	CLAMP		2			61 31 1 459 057			
6	CABLE STRAP	L=200MM/B=3,6	2			61 13 1 367 599			
7	HAZARD WARNING SWITCH								
7	HAZARD WARNING SWITCH		1			61 31 1 459 305		1	T
7	ADDITIONAL SWITCH		X			61 31 1 459 306		1	
FOR VEHICLES WITH									
HEATED HANDLEBAR GRIPS									
7	SWITCH, HEATED HANDLEBAR GRIPS/HTD SEAT	X519A = YES	1			61 31 1 459 234		1	
8	FOG TAIL LAMP SYMBOL								
8	FOG TAIL LAMP SYMBOL		X			61 31 1 459 359		1	
8	SYMBOL HANDLE HEATET		X			61 31 1 459 360		1	
8	SYMBOL SIGNALLING LIGHT	SW	X			61 31 1 459 361		1	
8	SYMBOL HORN SCALE	SW	X			61 31 1 459 362		1	
8	CLIP WITHOUT SYMBOL	SW	X			61 31 1 459 363		1	
8	SYMBOL HAZZARD WARNING		X			61 31 1 459 367		1	
8	SYMBOL CLIP, ORANGE		X			61 31 2 305 197			
11	TUBING		1			61 12 2 303 023		1	
12	REPAIR KIT F FLASHER KNOB		1			61 31 9 062 462			

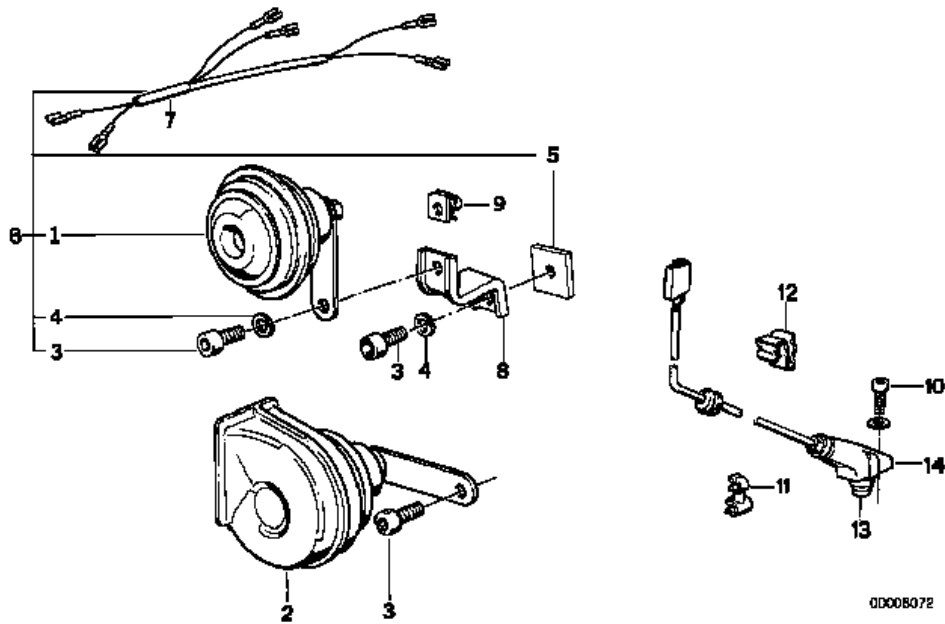
Diagrams 61_0240 RETROFIT KIT, SOCKET
 Series: K100-K100LT..83-91



00008078

No.	Description	Supplement	Qty	From	Up To	Part Number	AT	R	TI
1	RETROFIT KIT, SOCKET		1			61 13 2 300 274		1	
	CONSISTING OF								
2	PLUG-IN SOCKET		1			61 13 1 379 719			
3	COVER		1			61 12 2 303 574			
4	BRACKET		1			61 13 2 315 421			
5	FILLISTER HEAD SCREW	M5X10	2			07 11 9 907 639			
6	FLAT WASHER	5,3-ZNS	2			07 11 9 931 029			
7	SPRING WASHER	B5	2			07 11 9 933 060			
8	SELF-LOCKING HEX NUT								
	CONSISTING OF								
8	SELF-LOCKING HEX NUT	M5	2		02/96	63 14 2 322 408	AE		
8	HEX NUT	M5	2			07 11 9 964 653			
	CONSISTING OF								
9	WIRING PLUG TERMINAL		1			61 12 2 300 273			
10	JIP		1			61 13 2 300 275			

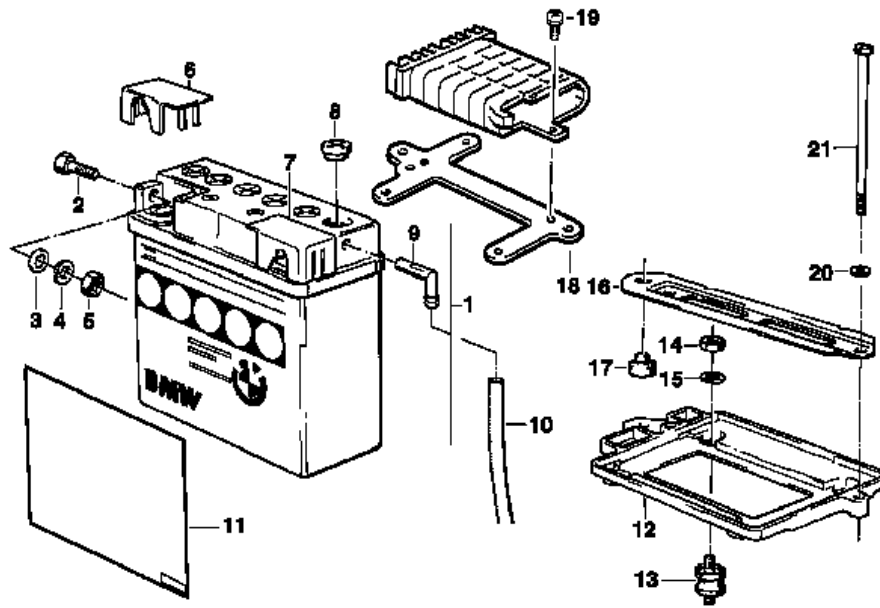
Diagrams 61_0971 HORN
 Series: K100-K100LT..83-91



00008072

No.	Description	Supplement	Qty	From	Up To	Part Number	AT	R	TI
1	HORN								
1	HORN	335HZ	1			61 33 1 459 151	E	1	
1	HORN	425HZ	1			61 33 1 459 152	E	1	
1	HORN	420HZ	1			61 33 1 243 710		1	
3	FILLISTER-HEAD SCREW	M8X16	2			07 11 9 919 720			
4	SPRING WASHER	B8	2			07 11 9 933 096			
5	LOCK PLATE		2			61 33 1 459 175			
6	RETROFIT KIT		1			61 33 1 459 635	E		
7	WIRING DUAL HORN		1			61 12 1 459 632		1	
8	BRACKET HORN		1			61 33 1 459 628			
9	CAGE NUT		1			61 33 1 459 545			
10	FILLISTER-HEAD SCREW	M5X16	1			61 31 2 322 412	E		
11	BRACKET		1			11 78 1 279 705			
12	CLAMP		1			61 31 1 459 057			
13	GASKET RING		1			61 31 1 459 030			
14	PULSE GENERATOR, SPEEDOMETER	GEBER	1			61 31 1 459 964		1	

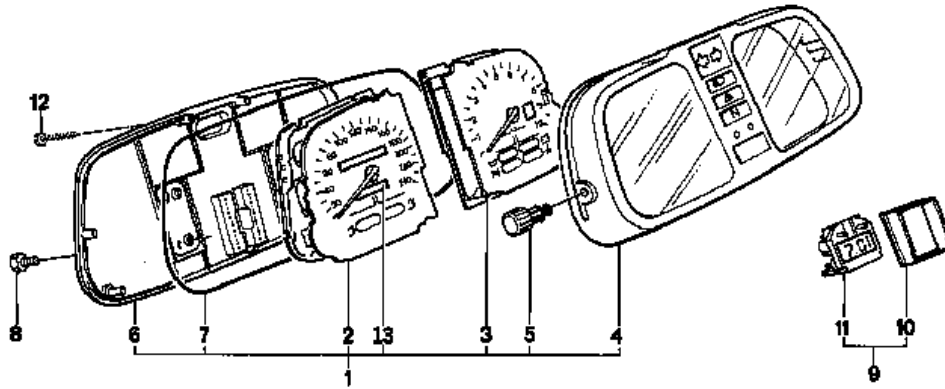
Diagrams 61_0238 BATTERY
Series: K100-K100LT..83-91



00008070

No.	Description	Supplement	Qty	From	Up To	Part Number	AT	R	TI
1	EMPTY BATTERY								
1	EMPTY BATTERY	12V 20AH	1			61 21 1 459 014	E		
1	EMPTY BATTERY	12V 25AH	1			61 21 1 459 650			
1	BATTERY ACID PARCEL (6 BOTTLES)	15AH-20AH	1			61 21 9 056 971			T
1	BATTERY ACID PARCEL (6 BOTTLES)	25AH-30AH	1			61 21 9 056 972			T
2	HEX BOLT	M6X20	2			61 21 1 459 655			
3	FLAT WASHER	A6,4	2			61 21 1 459 657			
4	SPRING WASHER	B6	2			61 21 1 459 658			
5	HEX NUT	M6	2			61 21 1 459 656			
6	COVERING CAP		1			61 21 1 459 098			
7	COVERING CAP		1			61 21 1 459 099			
8	BLIND PLUG		6			61 21 1 459 106			
9	HOSE CONNECTOR								
9	HOSE CONNECTOR		1		02/87	61 21 1 459 247			
9	HOSE CONNECTOR		1			61 21 1 350 663			
10	HOSE		1			61 21 2 306 299			
12	BATTERY HOLD DOWN		1			61 21 1 459 055			
13	RUBBER MOUNTING		4			61 21 1 233 028			
14	SELF-LOCKING HEX NUT	M6	4			07 12 9 900 191			
15	FLAT WASHER	6,4-ZNS	4			07 11 9 931 018			
16	CHAIN TENSIONER		1			61 21 1 459 044			
17	BUMP STOP		1			61 21 1 459 087			
21	SCREW		2			61 21 1 459 045	E		

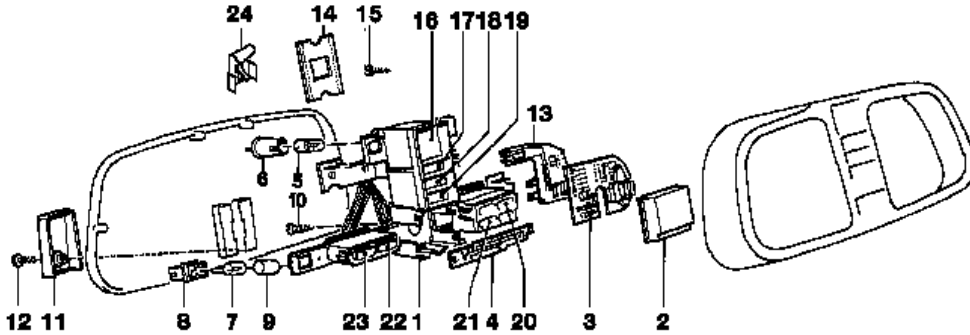
Diagrams 62_0230 INSTRUMENTS
Series: K100-K100LT..83-91



00008285

No.	Description	Supplement	Qty	From	Up To	Part Number	AT	R	TI
1	INSTRUMENT CLUSTER	MP/H	1	04/85		62 11 2 305 252		1	
2	SPEEDOMETER	MP/H	1		08/88	62 11 2 305 277		1	
3	REVOLUTION COUNTER		1			62 11 2 305 263		1	
4	HOUSING	9X	1	04/85		62 11 1 459 919		1	
5	BUTTON		1			62 11 1 459 244			
6	HOUSING COVER	9X	1	04/85		62 11 1 459 920		1	
7	GASKET		1			62 11 1 459 232			
8	HEX BOLT WITH WASHER	M6X12-Z3-2	4			07 11 9 915 014			
9	INSTALLING SET CLOCK		1			62 11 9 057 000	E	1	
	CONSISTING OF								
10	FRAME		1			62 11 1 459 235			
11	CLOCK		1			62 11 1 459 368		1	
12	FILLISTER HEAD SELF-TAPPING SCREW		9			62 11 1 459 896			
13	TRIP-DISTANCE RECORDER		1			62 11 2 305 175		1	

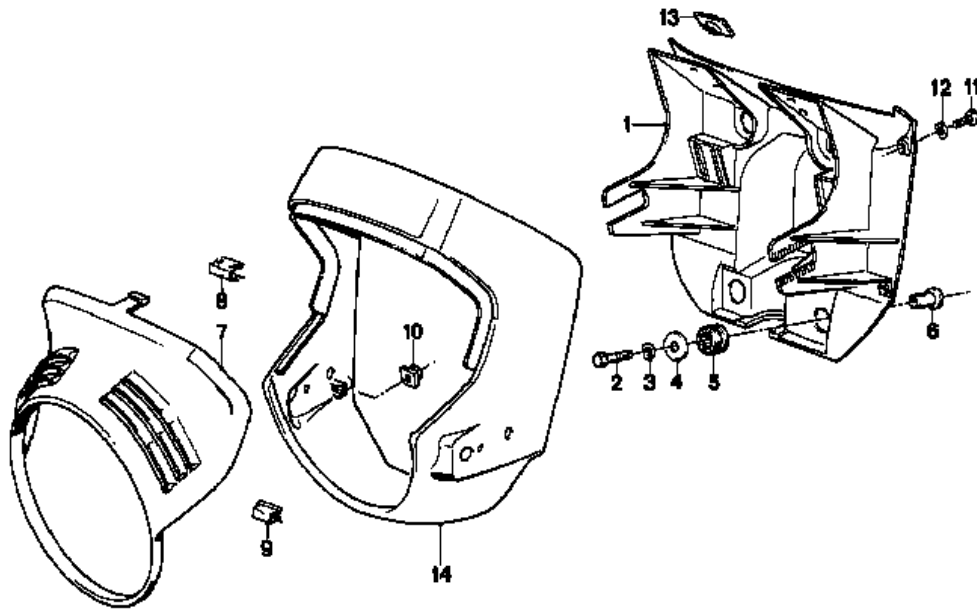
Diagrams 62_0234 INSTRUMENTS COMBINAT-.SINGLE COMPONENTS
 Series: K100-K100LT..83-91



00006289

No.	Description	Supplement	Qty	From	Up To	Part Number	AT	R	TI
1	PRINTED CIRCUIT BOARD		1	04/85		62 11 1 459 902			
2	COVER		1			62 11 1 459 369			1
3	CONDUCTOR PLATE GEAR INDICATION		1			62 11 1 459 238			1
4	PRINTED CIRCUIT BOARD	TACHOMETER	1			62 11 1 459 921			1
5	BULB	12V 4W	2			07 50 9 063 576			
6	BULB SOCKET		2			62 14 8 680 130			
7	BULB	12V 3W	X			07 11 9 978 372			
8	BULB SOCKET		X			62 11 1 356 714			
9	BULB	12V 3W GRÜN	5			62 11 1 459 897			
10	COUNTERSUNK HEAD SCREW	M4X8	2			07 11 9 928 100			
11	COVER								
11	COVER		1			62 11 1 459 364	A		
11	COVER		1			62 11 1 459 473			
12	FILLISTER HEAD SELF-TAPPING SCREW	ST3,9X13	1			07 11 9 907 720			
13	PRINTED CIRCUIT BOARD	KRAFTSTOFFAN	1	04/85		62 11 1 459 549			1
14	GASKET		1			62 11 1 459 579			
15	SCREW	16LG	6			62 11 1 459 898			
16	CONTROL SYMBOL	GRUEN	1			62 11 1 459 638			
17	CONTROL SYMBOL	BLAU	1			62 11 1 459 637			
18	CONTROL SYMBOL	ROT	1			62 11 1 459 636			
19	CONTROL SYMBOL	GRUEN	1			62 11 1 459 639			
20	CONTROL SYMBOL	ROT	3			62 11 1 459 643			
21	CONTROL SYMBOL	GELB	1			62 11 1 459 642			
22	CONTROL SYMBOL	ROT	1	04/85		62 11 1 459 643			
23	CONTROL SYMBOL	ROT	1	04/85		62 11 1 459 643			
24	CONTACT PLATE		2			62 11 1 459 487			

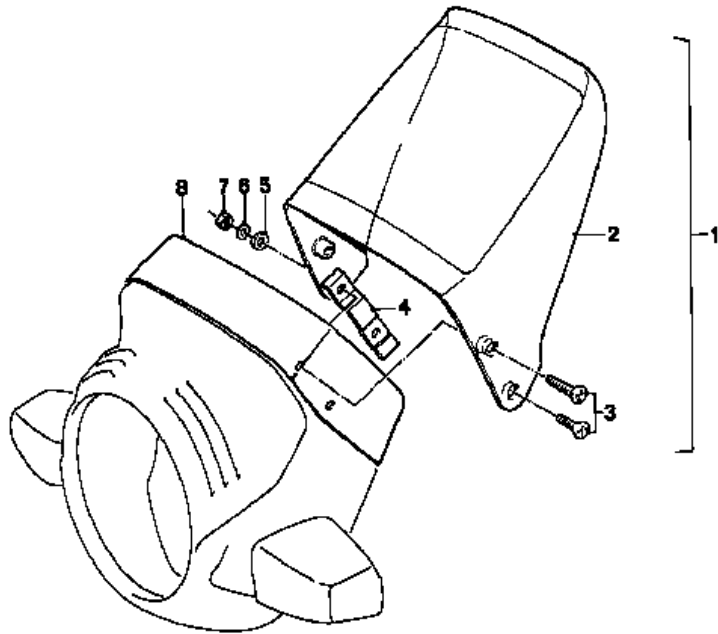
Diagrams 62_0231 COCKPIT TRIM PANEL
 Series: K100-K100LT..83-91



DDDD8256

No.	Description	Supplement	Qty	From	Up To	Part Number	AT	R	TI
1	REAR PANEL		1			62 21 1 459 374			
2	HEX BOLT	M6X30	4			07 11 9 913 575			
3	WAVE WASHER	B6	4			07 11 9 932 099			
4	FLAT WASHER		4			62 21 1 244 072			
5	RUBBER GROMMET		4			62 21 1 459 188			
6	BUSH		4			62 21 1 459 196			
7	COVER		1			62 21 1 459 344			
8	CLAMP		1			62 21 1 453 274			
9	CLAMP		3			62 21 1 453 273			
10	NUT		4			62 21 1 459 378			
11	FILLISTER HEAD SCREW	M4X30	4			07 11 9 907 591			
12	WAVE WASHER	B4	4			07 11 9 932 033			
14	COCKPIT TRIM PANEL								
14	COCKPIT TRIM PANEL	ROT	1			62 21 1 453 360			
14	COCKPIT TRIM PANEL	POLARIS	1			62 21 1 453 361	E	1	
14	COVERING COCKPIT PRIME COATED		1			62 21 1 453 625			

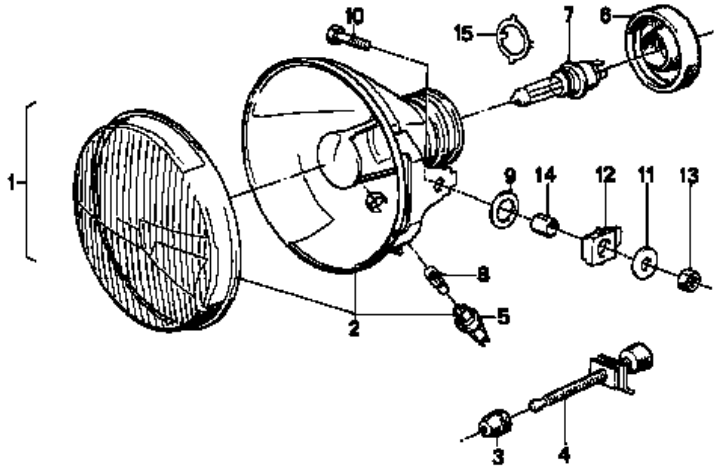
Diagrams 62_0232 SLIPSTREAM DEFLECTOR
 Series: K100-K100LT..83.91



00008287

No.	Description	Supplement	Qty	From	Up To	Part Number	AT	R	TI
1	RETROFIT KIT, SLIPSTREAM DEFLECTOR		1			46 63 2 300 146	E		T
2	SLIPSTREAM DEFLECTOR		1			46 63 2 300 144	E		
3	CSK.FILLISTER HEAD SCREW								
3	CSK.FILLISTER HEAD SCREW	M5X30	2			07 11 9 928 503			
3	CSK.FILLISTER HEAD SCREW	M5X25	2			07 11 9 928 561			
4	PLATE		2			46 63 2 300 147			
5	FLAT WASHER	5,3-ZNS	4			07 11 9 931 029			
6	WAVE WASHER	B5	4			07 11 9 932 047			
7	HEX NUT	M5	4			07 11 9 922 038			
8	JIP		1			46 63 2 300 145			

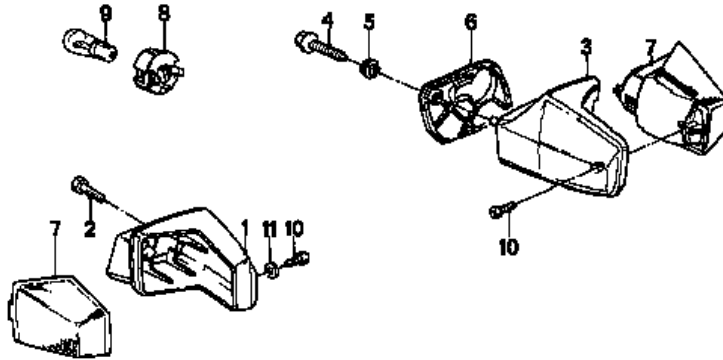
Diagrams 63_0361 HEADLIGHT
Series: K100-K100LT..83-91



00008517

No.	Description	Supplement	Qty	From	Up To	Part Number	AT	R	TI
1	HEADLIGHT		1			63 12 1 459 312		1	
2	LENS WITH REFLECTOR		1			63 12 1 459 314		1	
3	RUBBER BUSHING		1			63 12 1 369 833			
4	ADJUSTING SCREW		1			63 12 1 459 189			
5	BULB SOCKET		1			63 12 1 459 060			
6	CAP		1			63 12 1 459 377			
7	BULB	H4	1			63 12 1 354 619			
8	BULB	12V 4W	1			07 50 9 063 576			
9	RUBBER WASHER		2			63 12 1 459 212			
10	HEX BOLT		2		07/90	07 11 9 913 644	AE		
10	HEX BOLT	M8X20	2			07 11 9 901 120			
10	HEX BOLT	M8X20-ZNS	2			07 11 9 936 432	E		
11	FLAT WASHER	8,4	2			63 12 1 459 173			
12	NOTCH		2			07 11 9 922 856			
13	HEX NUT	M8-ZNS	2			63 12 1 459 209			
14	BUSH	K100	2			63 12 1 459 470			
15	CLIP		1						

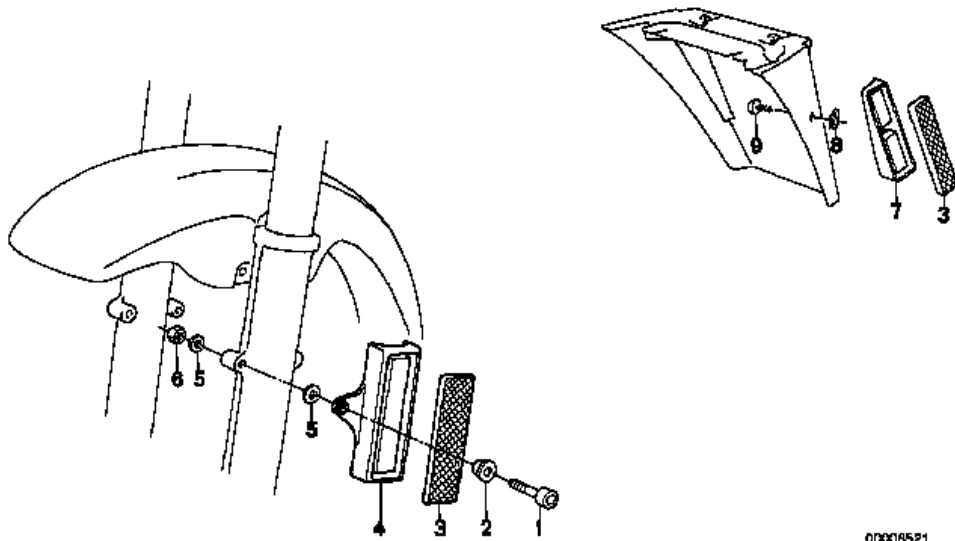
Diagrams 63_0362 TURN INDICATOR
Series: K100-K100LT..83-91



00008518

No.	Description	Supplement	Qty	From	Up To	Part Number	AT	R	TI
1	BRACKET FRONT LEFT								
1	BRACKET FRONT LEFT		1			63 13 1 459 325		1	
1	BRACKET FRONT RIGHT		1			63 13 1 459 326		1	
2	SCREW		2			46 63 1 235 512			
3	BRACKET REAR LEFT								
3	BRACKET REAR LEFT		1			63 23 1 459 327		1	
3	BRACKET REAR RIGHT		1			63 23 1 459 328		1	
4	SCREW	30MM	2			63 23 1 453 216			
5	BUMP STOP		2			52 53 1 453 213			
6	LEFT PAD								
6	LEFT PAD		1			63 23 1 453 437			
6	PAD RIGHT		1			63 23 1 453 438			
7	TURN INDICATOR								
7	TURN INDICATOR	ULO	4			63 23 1 459 050		1	
8	BULB SOCKET								
8	BULB SOCKET	ULO	4			63 23 1 459 107			
8	BULB SOCKET	HELLA	4			63 23 1 459 413			
9	BULB								
9	BULB	12V 21W	4			07 50 9 063 574			
9	LOGLIFE BULB	12V 21W	4			63 21 6 926 920			
10	SCREW								
10	SCREW	M4X12	4			63 23 1 459 108			
10	SCREW	32MM	2			63 23 1 459 722			
--	ONLY APPLIES TO COVERING COCKPIT PRIME COATED		X			46 63 2 303 144			
11	FLAT WASHER								
11	FLAT WASHER	5,3-ZNS	2			07 11 9 931 029			
--	ONLY APPLIES TO COVERING COCKPIT PRIME COATED		X			46 63 2 303 144			

Diagrams 63_0365 SIDE MARKER
Series: K100-K100LT..83-91

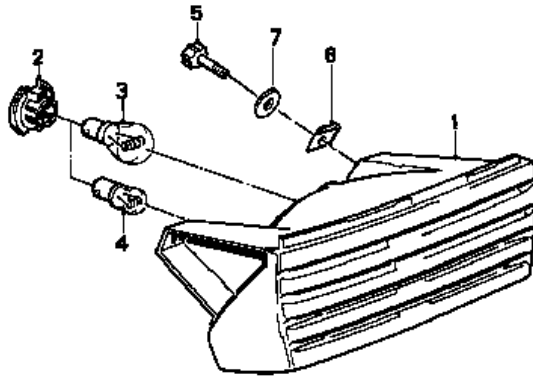


00008521

No.	Description	Supplement	Qty	From	Up To	Part Number	AT	R	TI
FOR VEHICLES WITH SWITZERLAND VERSION									
1	FILLISTER-HEAD SCREW	= YES M6X45	4			46 61 2 322 495			
2	BUSH		4			63 14 1 459 169			
3	SIDE MARKER								
3	SIDE MARKER	GELB	2			63 14 1 459 035			
FOR VEHICLES WITH SWITZERLAND VERSION									
3	SIDE MARKER	= YES ROT	2			63 14 1 459 401			
FOR VEHICLES WITH SWITZERLAND VERSION									
4	BRACKET	= YES	2			63 14 1 459 168			
5	FLAT WASHER	A6,4	6			07 11 9 931 044			
6	SELF-LOCKING HEX NUT	M6	4			07 12 9 900 191			
7	BRACKET LEFT								
FOR VEHICLES WITH SWITZERLAND VERSION									
7	BRACKET LEFT	= YES	1			63 14 2 300 073			
7	BRACKET RIGHT		1			63 14 2 300 074			
FOR VEHICLES WITH SWITZERLAND VERSION									
8	BODY NUT	= YES	2			63 17 1 368 008			
9	FILLISTER HEAD SELF-TAPPING SCREW	ST4,8X16-Z2	2			07 11 9 907 975			

Diagrams 63_0363 REAR LIGHT

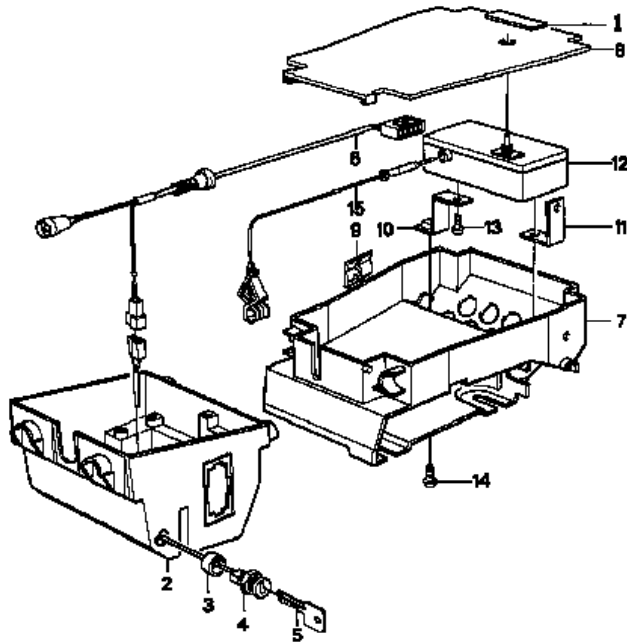
Series: K100-K100LT..83-91



DD008519

No.	Description	Supplement	Qty	From	Up To	Part Number	AT	R	TI
1	REAR LIGHT		1			63 21 1 459 046		1	
2	BULB SOCKET	ULO	2			63 23 1 459 107			
3	BULB								
3	BULB	12V 21W	1			07 50 9 063 574			
3	LOGLIFE BULB	12V 21W	1			63 21 6 926 920			
4	BULB	12V 10W	1			07 50 9 063 575			
5	KNURLED BOLT		2			71 60 1 231 263			
6	NUT HOLDER	M6-ZNS	2			61 21 1 366 389	E		
7	FLAT WASHER	6,4	2			07 11 9 936 425			

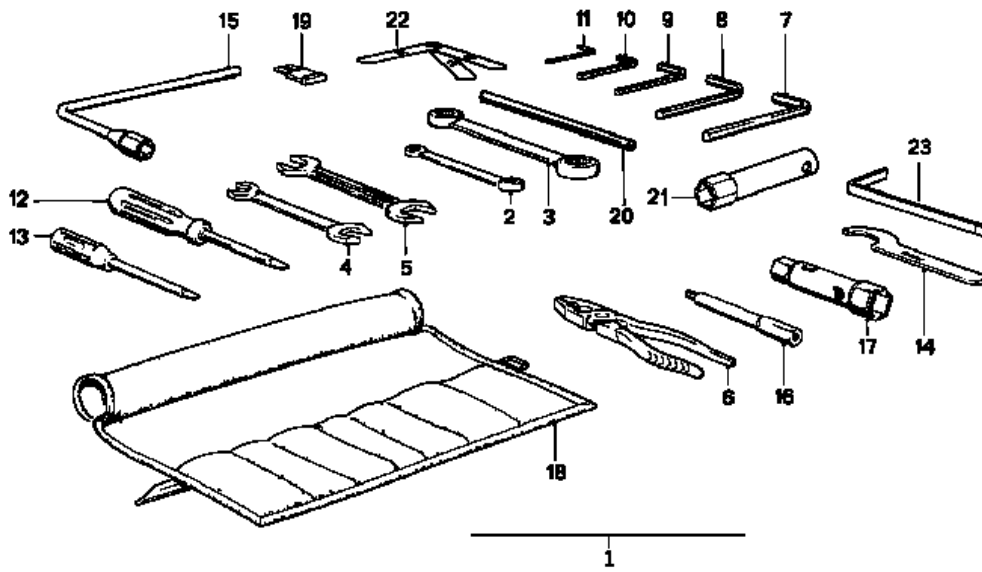
Diagrams 65_0324 ALARM SYSTEMS
Series: K100-K100LT..83-91



00008285

No.	Description	Supplement	Qty	From	Up To	Part Number	AT	R	TI
1	STOPPER		2			65 75 2 300 392			
2	FUSE BOX		1			61 13 2 300 194			
3	RING		1			65 75 2 300 204			
4	LOCK		1			65 75 2 300 200			
5	KEY (CODE)								
5	KEY (CODE)		X			65 75 2 300 205	E		
5	KEY (BLANK)		X			65 75 2 300 206			
6	WIRING THEFT ALARM		1			61 12 2 300 203		1	
7	TOOL BOX		1			51 16 2 300 192			
8	COVER		1			51 16 2 300 195			
9	TUBING SUPPORT		2			61 13 1 361 243			
10	RIGHT BRACKET		1			65 75 2 300 198			
11	LEFT BRACKET		1			65 75 2 300 196			
12	CONTROL UNIT		1			65 75 2 315 540		1	
13	FILLISTER HEAD SCREW	M4X6	2			07 11 9 907 657			
14	FILLISTER HEAD SCREW	M5X10	2			07 11 9 907 639			
15	WIRE CHARGING CURRENT		1			61 12 2 300 208			

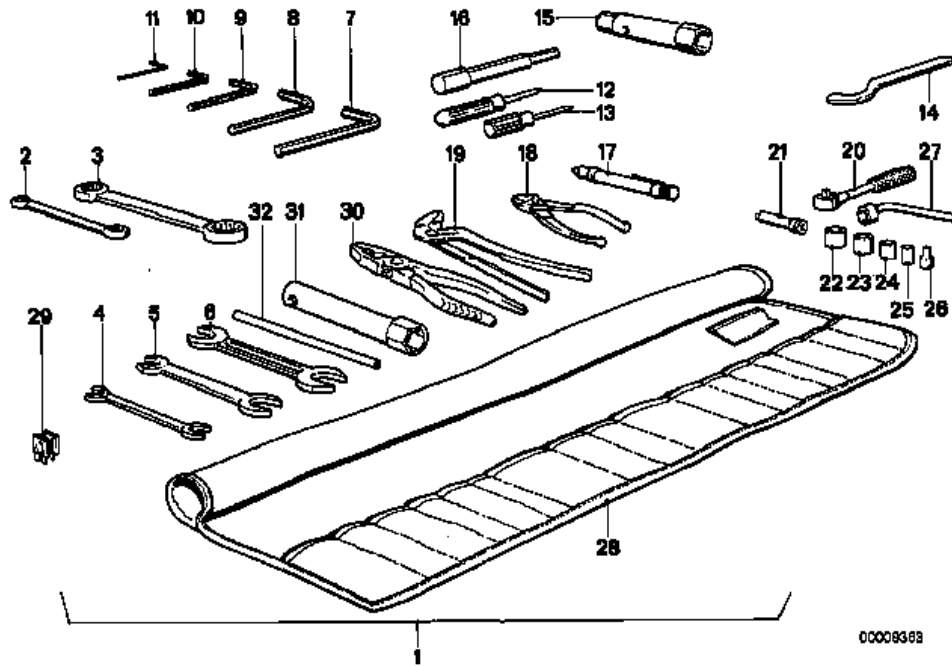
Diagrams 71_0132 CAR TOOL
Series: K100-K100LT..83-91



0009381

No.	Description	Supplement	Qty	From	Up To	Part Number	AT	R	TI
1	CAR TOOL		1			71 11 2 300 060		1	
2	RING SPANNER	10X12	1			71 11 1 237 847			
3	RING SPANNER	17X19	1			07 11 9 905 325			
4	OPEN END SPANNER	10X13	1			07 11 9 999 117			
5	OPEN END SPANNER	17X19	1			07 11 9 999 100			
6	COMBINATION PLIERS		1			71 11 1 103 092			
7	INNER HEX SPANNER	8	1			71 11 1 237 849			
8	INNER HEX SPANNER	6	1			71 11 1 237 850			
9	INNER HEX SPANNER	5	1			71 11 1 237 851			
10	INNER HEX SPANNER	4	1			71 11 1 237 852			
11	INNER HEX SPANNER	3	1			71 11 1 237 853			
12	SCREWDRIVER		1			71 11 1 179 629			
13	SCREWDRIVER		1			71 11 9 090 147			
14	HOOK WRENCH		1			71 11 2 300 061			
15	SOCKET WRENCH	17	1			71 11 1 240 891			
16	EXTENSION		1			71 11 1 240 892			
17	SPARK PLUG WRENCH		1			71 11 2 303 416		1	
18	TOOL BAG		1			71 11 2 300 063		1	
19	FUSE								
19	FUSE	7,5A	2			61 13 1 370 987			
19	FUSE	15A	2			61 13 1 372 626			
22	FEELER GAGE	"ABS"	1			71 11 2 315 061	E	1	

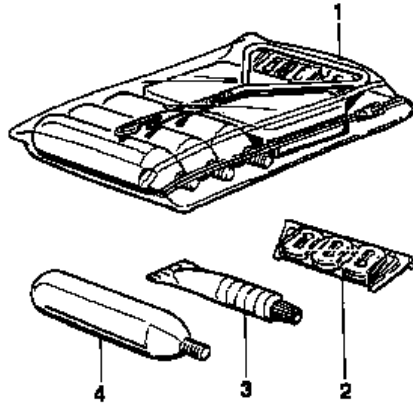
Diagrams 71_0134 CAR TOOL
 Series: K100-K100LT..83-91



00008368

No.	Description	Supplement	Qty	From	Up To	Part Number	AT	R	TI
1	TOOL KIT								
1	TOOL KIT		1			71 11 2 300 100		1	
1	TOOL KIT		1			71 11 9 057 540		1	
2	RING SPANNER	10X12	1			71 11 1 237 847			
3	RING SPANNER	17X19	1			71 11 2 300 105			
4	OPEN END SPANNER	10X13	1			71 11 2 300 069			
5	OPEN END SPANNER	11X13	1			71 11 2 300 104			
6	OPEN END SPANNER	17X19	1			71 11 1 237 845			
7	INNER HEX SPANNER	8	1			71 11 1 237 849			
8	INNER HEX SPANNER	6	1			71 11 1 237 850			
9	INNER HEX SPANNER	5	1			71 11 1 237 851			
10	INNER HEX SPANNER	4	1			71 11 1 237 852			
11	INNER HEX SPANNER	3	1			71 11 1 237 853			
12	SCREWDRIVER		1			71 11 1 179 629			
13	SCREWDRIVER		1			71 11 9 090 147			
14	HOOK WRENCH		1			71 11 2 300 101			
15	SPARK PLUG WRENCH		1			71 11 2 300 102		1	
16	EXTENSION		1			71 11 2 300 106		1	
17	TIRE PRESSURE GAGE		1			71 11 1 237 860			
18	DIAGONAL CUTTER		1			71 11 1 237 861			
19	WATER PUMP PLIERS		1			71 11 1 179 522			
20	RATCHET		1			71 11 1 237 864			
21	EXTENSION		1			71 11 1 237 865			
22	SOCKET WRENCH	EINS. 13	1			71 11 1 237 866			
23	SOCKET WRENCH	EINS. 12	1			71 11 1 237 867			
24	SOCKET WRENCH	EINS. 10	1			71 11 1 237 868			
25	SOCKET WRENCH	EINS. 8	1			71 11 2 300 068			
26	INNER HEX SPANNER	EINS. 5	1			71 11 2 300 108			
27	SOCKET WRENCH	17	1			71 11 2 300 107			
28	TOOL BAG		1			71 11 2 300 109			
29	FUSE								
29	FUSE	7,5A	3			61 13 1 370 987			
29	FUSE	15A	2			61 13 1 372 626			
30	COMBINATION PLIERS		1			71 11 1 103 092			
31	SOCKET WRENCH	19	1			71 11 2 303 629	E		
32	PIN		1			71 11 2 301 357			

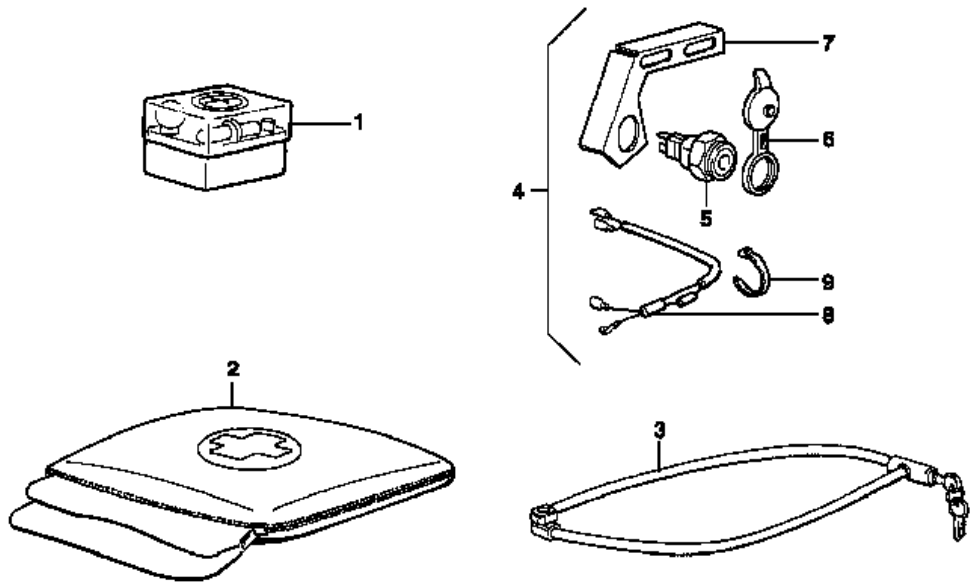
Diagrams 71_0259 REPAIR PACKAGE
Series: K100-K100LT..83-91



00009362

No.	Description	Supplement	Qty	From	Up To	Part Number	AT	R	TI
1	REPAIR KIT TIRE		1			71 11 2 332 083			T
2	PUSHROD SEAL		X			71 11 2 300 231			
3	ADHESIVE		X			71 11 2 332 084			I
4	GAS CARTRIDGE	16GR	X			71 11 2 300 236			T

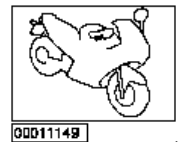
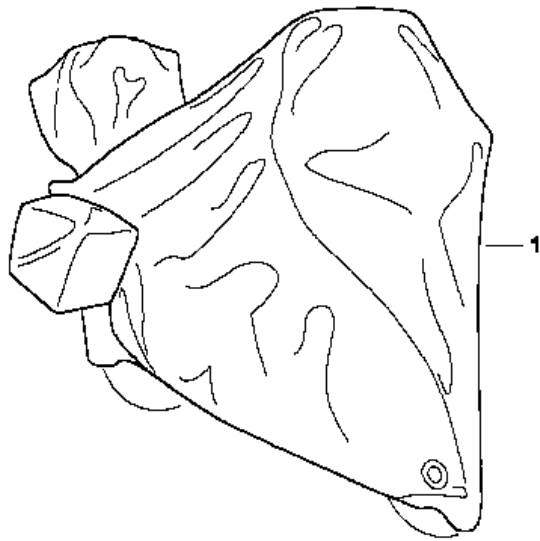
Diagrams 71_0159 ACCESSORIES
Series: K100-K100LT..83-91



00009360

No.	Description	Supplement	Qty	From	Up To	Part Number	AT	R	TI
1	SPARE BULBS BOX	H4	1			72 60 2 300 050			
2	FIRST AID SET		1			72 60 2 317 554		1	1
3	ROPE SOCKET		1			51 25 1 238 375		1	

Diagrams 71_0177 MOTORCYCLE TARPAULIN
 Series: K100-K100LT..83-91



No.	Description	Supplement	Qty	From	Up To	Part Number	AT	R	TI
1	SMALL MOTORCYCLE TARPAULIN		1			71 60 2 317 624	E	1	